

# IK-NR8216-16P-I

16CH 2HDD 4K NVR with 16CH PoE



## Key Features

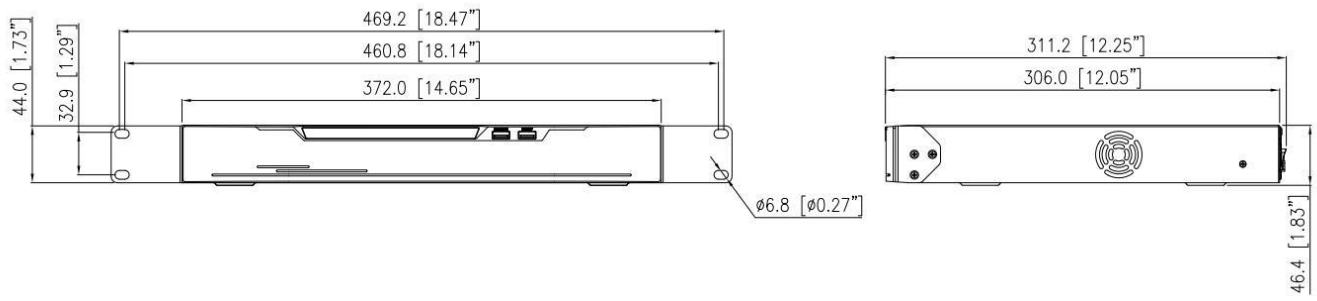
- Up to 16-ch IP cameras access
- Up to 160 Mbps incoming/outgoing bandwidth
- Up to 1-ch @ 12MP/4-ch @ 4MP/8-ch @ 1080P/16-ch D1 decoding capacity
- Supports face recognition and multi-objective recognition
- Support VCA alarm linkage
- Up to 4-ch perimeter protection
- Plug & Play with 16 PoE interface
- Support 1 HDMI and 1 VGA interface

## Specification

Video Input	
IP Camera Input	16 Channel
Incoming Bandwidth	160 Mbps (112Mbps with AI enabled)
Outgoing Bandwidth	160 Mbps (112Mbps with AI enabled)
Video Output	
HDMI Output	3840 × 2160, 1920 × 1080, 1280 × 1024, 1024 × 768
VGA Output	1920 × 1080, 1280 × 1024, 1024 × 768
Different Source Output	Supported
Decoding Capacity	1ch 12MP, 4ch 4MP, 8ch 1080P, 16ch D1 Enable Local Intelligence: 1ch 8MP, 4ch 1080P, 8ch D1, 16ch D1
Dual Stream	Supported
Multi-screen Display	Default Mode (Mirrored): 1/4/8/9/16 Auxiliary Screen Mode: - Main Screen: 1/4/8 - Auxiliary Screen: 1/4/8
AI Recognition	
Face Comparison	Real-time captured and display faces comparison results (stranger, channel, similarity)
Multi-objective	Real-time captured and display vehicle, human body, non-motor vehicle, license plates image
Smart Search	Time, Properties, Pictures, License plate
Trigger Events	Buzzer, Alarm push, Email, Alarm Out, Compare the result simultaneously, etc.
Recoding	
Resolution	12MP, 8MP, 6MP, 5MP, 4MP, 3MP, 1080P, 720P, D1 etc.
Recording Mode	Manual, Schedule (Regular, Continuous), Event
Trigger Events	Motion Detection, Video Loss, Alarm in, IVS
Playback and Backup	
Sync Playback	16/9/4/1
Search Mode	Time /Date, Alarm, Picture grid, Event
Backup Mode	USB Device, Network
Alarm	
General Alarm	Motion Detection, Video Loss, Alarm in, Alarm out
Intelligent Analysis (By Camera)	Smoking Detection, Smoke and Fire Detection, Fire Spot Detection, Intrusion, Single Line Crossing, Double Line Crossing, Loitering, Wrong-way, Illegal Parking, People Counting, Smart motion detection, Enter Area, Leave Area, etc.
Abnormal Alarm	Disk Alarm, IP Address Conflict, Network Disconnect

Intelligent Analysis (By NVR)	4-ch intrusion detection, support the accurate detection of human and vehicle
Event Action	Buzzer, Push message to APP, Full screen, Email, FTP, PTZ, Alarm output, Recording
<b>Network</b>	
Network Protocol	HTTP, HTTPS, TCP/IP, IPv4, IPv6, UPnP, UDP, RTSP, SMTP, NTP, DNS, DHCP, FTP, P2P, IP Filter, DDNS, 802.1X, SNMP, 3G/4G, PPPoE
Remote Users	8 users
P2P	P2P, Web NAT
Interoperability	ONVIF, SDK, CGI
<b>Storage</b>	
ANR	Supported
Disk Group	Supported
<b>Interface</b>	
HDD Interface	2 SATA interfaces, up to 12TB capacity for each disk
Network Interface	1 × RJ-45, 10/100/1000 Mbps self-adaptive Ethernet port
PoE Interface	16 ports, 10/100Mbps, 802.3af/at, max 128W
HDMI	1
VGA	1
Audio In/Out	1/1
Alarm In/Out	8/2
USB Interface	Front panel: 2 × USB 2.0, Rear panel: 1 × USB 2.0
Reset Button	On-board reset button
<b>General</b>	
Power Supply	100 to 240VAC
Power Consumption	< 15 W (without HDD)
Operating Conditions	-10 °C to 50 °C (14 °F to 122 °F)
Storage Conditions	Less than 90% RH
Certifications	CE/FCC
Dimensions	372 × 311.2 × 46.4 mm (16.65 × 12.33 × 1.83 inch)
Net Weight	2.75 kg (6.05 lb) without HDD

## Dimensions (mm)



## Rear Panel

