

IK-NR8232

32CH 2HDD 4K NVR



Key Features

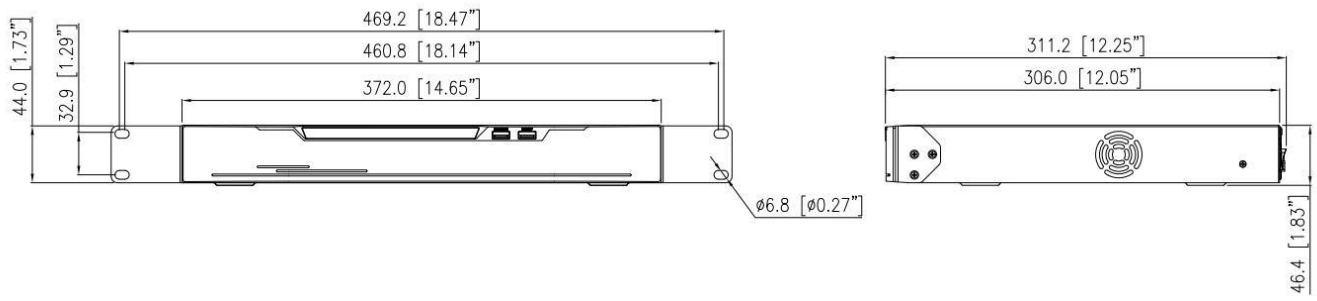
- Up to 32-ch IP cameras access
- Up to 160 Mbps/80 Mbps incoming/outgoing bandwidth
- Up to 1-ch @ 12MP/4-ch @ 4MP/8-ch @ 1080P/16-ch D1 decoding capacity
- Support VCA alarm linkage
- Support 1 HDMI and 1 VGA interface
- Support ANR

Specification

Video Input	
IP Camera Input	32 Channel
Incoming Bandwidth	160 Mbps
Outgoing Bandwidth	80 Mbps
Video Output	
HDMI Output	3840 × 2160, 1920 × 1080, 1280 × 1024, 1024 × 768
VGA Output	1920 × 1080, 1280 × 1024, 1024 × 768
Different Source Output	Supported
Decoding Capacity	1ch 12MP, 4ch 4MP, 8ch 1080P, 16ch D1, 32ch D1
Dual Stream	Supported
Multi-screen Display	Default Mode (Mirrored): 1/4/8/9/16 Auxiliary Screen Mode: - Main Screen: 1/4/8 - Auxiliary Screen: 1/4/8
Recoding	
Resolution	12MP, 8MP, 6MP, 5MP, 4MP, 3MP, 1080P, 720P, D1 etc.
Recording Mode	Manual, Schedule (Regular, Continuous), Event
Trigger Events	Motion Detection, Video Loss, Alarm in, IVS
Playback and Backup	
Sync Playback	16/9/4/1
Search Mode	Time /Date, Alarm, Picture grid, Event
Backup Mode	USB Device, Network
Alarm	
General Alarm	Motion Detection, Video Loss, Alarm in, Alarm out
Intelligent Analysis (By Camera)	Smoking Detection, Smoke and Fire Detection, Fire Spot Detection, Intrusion, Single Line Crossing, Double Line Crossing, Loitering, Wrong-way, Illegal Parking, People Counting, Smart motion detection, Enter Area, Leave Area, etc.
Abnormal Alarm	Disk Alarm, IP Address Conflict, Network Disconnect
Event Action	Buzzer, Push message to APP, Full screen, Email, FTP, PTZ, Alarm output, Recording
Network	
Network Protocol	HTTP, HTTPS, TCP/IP, IPv4, IPv6, UPnP, UDP, RTSP, SMTP, NTP, DNS, DHCP, FTP, P2P, IP Filter, DDNS, 802.1X, SNMP, 3G/4G, PPPoE

Remote Users	8 users
P2P	P2P, Web NAT
Interoperability	ONVIF, SDK, CGI
Storage	
ANR	Supported
Disk Group	Supported
Interface	
HDD Interface	2 SATA interfaces, up to 12TB capacity for each disk
Network Interface	2 × RJ-45, 10/100/1000 Mbps self-adaptive Ethernet port
HDMI	1
VGA	1
Audio In/Out	1/1
Alarm In/Out	8/1
USB Interface	Front panel: 2 × USB 2.0
Reset Button	On-board reset button
General	
Power Supply	12VDC/3A
Power Consumption	< 15 W (without HDD)
Operating Conditions	-10 °C to 50 °C (14 °F to 122 °F)
Storage Conditions	Less than 90% RH
Certifications	CE/FCC
Dimensions	372 × 311.2 × 46.4 mm (16.65 × 12.33 × 1.83 inch)
Net Weight	1.8 kg (3.97 lb) without HDD

Dimensions (mm)



Rear Panel

