



IK-P4730V-F

Bi-spectrum Security Network Speed Dome Camera

Key Features

- 384 × 288 thermal resolution, 12 μm VOx UFPA, NETD ≤ 40 mK
- Thermal lens options: 5 mm / 7 mm / 15 mm; Visible lens: 40× optical zoom
- Human/vehicle detection; smoking, smoke & flame, and fire point detection
- Intelligent analytics: intrusion, single/double line crossing, loitering, wrong-way detection, enter/leave area, smart motion detection, people counting
- Smart tracking: cold/hot spot tracking, human/vehicle tracking
- Supports 3 temperature measurement rule types: spot, line, and area
- Temperature measurement range: -20°C to 150°C (-4°F to 302°F), accuracy ±8°C
- Smart IR illumination up to 300 m
- Smart rain-sensing wiper; IP66-rated protection

Specification

Camera	Thermal	Visible
Image Sensor	Vanadium Oxide Uncooled Focal Plane Arrays	1/1.8" STARVIS™ CMOS
Resolution	Sensor is 384×288. Image can be scaled up to 1280×720	2688 (H)×1520 (V), 4MP
Pixel Pitch	12μm	
Spectral Range	8 to 14μm	
NETD	≤ 40mK	
Min. Illumination		Color: 0.001 Lux @(F1.5, AGC ON), B/W: 0.0001 Lux (F1.5, AGC ON), 0 Lux with light
Shutter Speed		1/5 to 1/20,000s
Lens Type	Fixed lens	40x optical zoom
Focal Length	5 mm, 7 mm, 15 mm	6.27 to 251 mm
Max. Aperture	F1.0	F1.5
Focus Control	Fixed focal	Auto/Manual/Semi-automatic
Field of View (FOV)	5 mm, H: 56°, V: 40° 7 mm, H: 44°, V: 33° 15 mm, H: 21°, V: 16°	H: 60.7° to 2.33°, V: 36.8° to 1.38°
IVS		
AI Multi-Target	Human and vehicle detection	Human and vehicle detection
Intelligent Analysis	Intrusion, Single Line Crossing, Double Line Crossing, Loitering, Wrong-Way Detection, Enter Area, Leave Area, Smart Motion Detection Support alarm triggering by specified target types (human and vehicle)	Intrusion, Single Line Crossing, Double Line Crossing, Loitering, Wrong-Way Detection, Enter Area, Leave Area, Smart Motion Detection Support alarm triggering by specified target types (human and vehicle)
Smoke and Flame Detection		Supported
Smoker Detection	Supported	
Fire Spot Detection	Supported	
People Counting	Supported	Supported
Smart Tracking	Cold/hot spot tracking, human/vehicle tracking	
Video and Audio		
Main Stream	1280×720, 704×576, 384×288 @ 25fps	2688×1520, 2560×1440, 2304×1296, 1920×1080, 1280×720 @25/30fps
Sub Stream	704×576, 384×288, 352×240 @ 25fps	D1, VGA @25/30fps
Bit Rate Control	CBR/VBR	CBR/VBR
Bit Rate	Main Stream: 100Kbps to 8Mbps, Sub Stream: 100Kbps to 6Mbps	Main Stream: 100Kbps to 16Mbps Sub Stream: 100Kbps to 6Mbps
Smart Encode	Supported	Supported

Audio Compression	G.711 A-law, G.711 μ -law, RAW_PCM	G.711 A-law, G.711 μ -law, RAW_PCM
Image		
Image Setting	Brightness, Contrast, Sharpness	Brightness, Saturation, Contrast, Sharpness
Mirror	Horizontal / Vertical / Horizontal+Vertical	Horizontal / Vertical / Horizontal+Vertical
Pseudo-color Setting	Up to 17 colors (White-hot / Black-hot / Rainbow / Iron red / HSV / Bone / Cool / Copper / Fire-hot / Pink / Spring / Summer / Autumn / Winter / Jet / Flame / Rose -Bengal)	
FFC Control	Auto / Manual	
Gain Control		Auto / Manual
White Balance		Auto / Tungsten / Fluorescent / Daylight / Shadow
Day/Night		Day mode / Night mode / Time
Noise Reduction	2D/3D DNR	2D/3D DNR
Image Enhancement		WDR, HLC, BLC
Wide Dynamic Range		True WDR 120dB
OSD	Up to 8 OSD	Up to 8 OSD
Privacy Masking	Up to 4 areas	Up to 4 areas
Illuminator		IR Range: - Up to 300m (984.25ft)
Thermal Function		
Temperature Range	-20°C to 150°C (-4°F to 302°F)	
Accuracy	$\pm 8^{\circ}\text{C}$	
Temperature Detection	3 temperature measurement rule types, 20 rules in total, 1 full screen, 19 others (spot, areas, line).	
Temperature Alarm	Temperature difference alarm, Threshold alarm, Temperature rise alarm	
Temperature Display	Display in the lower left corner; follow the cursor display of the highest temperature, lowest temperature or average temperature	
Image Fusion	Fusion view of thermal view and overlaid details of the optical channel	
Event		
Alarm Triggers	IVS, Temperature anomaly, Motion detection, Alarm Input, Disk alarm, Network alarm, Abnormal sound detection	
Event Actions	Alarm record, Alarm output, FTP upload, SMTP upload, Audible alarm output	
PTZ		
Pan/Tilt Range	Pan: 0° to 360° endless, Tilt: -10° to 90° (auto-flip)	
Pan Speed	Pan: 0.01° to 300°/s, preset speed: 300°/s	
Tilt Speed	Tilt: 0.01° to 240°/s, preset speed: 240°/s	
Wiper	Support	

Preset Accuracy	≤ 0.2°
Presets	400
Scan	12 scans
Patrol	12 patrols, up to 32 presets per patrol
Track	6 tracks
3D Positioning	Supported
Speed Setup	Auto/Manual (0-8)
Power Off Memory	Supported
Idle Motion	The time can be set (1-240 minutes), and functions such as preset positions, patrols, scans, and tracks can be run.
Network	
Protocols	IPv4/IPv6, HTTP/HTTPS, DNS, DDNS, DHCP, PPPOE, RTSP/RTP/RTCP, TCP/UDP, NTP, ARP, UPnP, FTP, SMTP, QoS, 802.1x, SNMP, Multicast
Compatible Integration	ONVIF (Profile S/T/G/M), CGI, SDK
Max Concurrent Streams	10 channels
User/Host Level	32+ users, 3 levels: Administrator, Operator, Media user
Security	IP address filter, HTTPS, Illegal login lock, IEEE 802.1x
Web Viewer	<IE11, Chrome, Firefox, Microsoft Edge
Interface	
Network Interface	1 Ethernet (10/100 Base-T) RJ-45 Connector
Audio Interface	1ch Audio In, 1ch Audio Out
Alarm Interface	7ch Alarm In, 2ch Alarm Out
RS-485	Supported
BNC Interface	1 (CVBS output for visible)
SD Card Slot	Built-in, up to 1TB
General	
Language	English, Chinese, Traditional Chinese, Polish, Italian, Portuguese, Spanish, Russian, French, Czech, Hungarian, Japanese, Korean. Default: English
Power Supply	24VAC/36VDC/PoE++ (802.3bt), Standard Equipped: 36VDC
Power Consumption	Max 45 W
Operating Temperature	-40°C to 60°C (-40°F to 140°F)
Operating Humidity	< 90% RH (non-condensing)
Certifications	CE-EMC - EN 55032, EN IEC 61000-6-4, EN IEC 61000-3-2, EN 61000-3-3, EN 55035, EN 50130-4 CE-LVD - EN IEC 62368-1 FCC 47 CFR Part 15 Subpart B

Ingress Protection	IP66
Material	Metal
Dimensions	φ226 × 363 mm (φ8.9 × 14.29 inch)
Net Weight	6 kg (13.2 lb)

Thermal DRI Range Table

Focal Length	5mm	7mm	15mm
Detection Distance (Humans: 1.8×0.5m)	208 m (682.4 ft)	291 m (954.7 ft)	624 m (2,047.2 ft)
Detection Distance (Vehicles: 4×1.5m)	639 m (2,096.5 ft)	894 m (2933.1 ft)	1,917 m (6,289.4 ft)
Recognition Distance (Humans: 1.8×0.5m)	52 m (170.6 ft)	73 m (239.5 ft)	156 m (511.8 ft)
Recognition Distance (Vehicles: 4×1.5m)	160 m (524.9 ft)	224 m (734.9 ft)	479 m (1,571.5 ft)
Identification Distance (Humans: 1.8×0.5m)	26 m (85.3 ft)	36 m (118.1 ft)	78 m (255.9 ft)
Identification Range (Vehicles: 4×1.5m)	80 m (262.5 ft)	112 m (367.5 ft)	240 m (787.4 ft)

Note: The table is only for reference and the performance may vary according to different environment.
Note: The optimal detection, recognition, and identification distances are calculated according to Johnson's Criteria.
 Detection Range: In order to distinguish an object from the background, the object must be covered by 1.5 or more pixels.
 Recognition Range: In order to classify the object (animal, human, vehicle, etc.), the object must be covered by 6 or more pixels.
 Identification Range: In order to identify the object and describe it in details, the object must be covered by 12 or more pixels.

Thermal Smart Detection Range Table

VCA Detection Distance (Human: 1.8 × 0.5 m)	45 m (147.6 ft)	65 m (213.3 ft)	110 m (360.9 ft)
VCA Detection Distance (Front/Rear of Vehicle: 4×1.5 m)	50 m (164 ft)	80 m (262.5 ft)	140 m (459.3 ft)
Temperature Measurement (Object: 1 × 1m)	83 m (272.3 ft)	117 m (383.9 ft)	250 m (820.2 ft)
Temperature Measurement (Object: 0.2 × 0.2m)	17 m (55.8 ft)	23 m (75.5 ft)	50 m (164 ft)
Fire Detection (Object: 1 × 1m)	208 m (682.4 ft)	292 m (958 ft)	625 m (2,050.5 ft)
Fire Detection (Object: 0.2 × 0.2m)	42 m (137.8 ft)	58 m (190.3 ft)	125 m (410.1 ft)

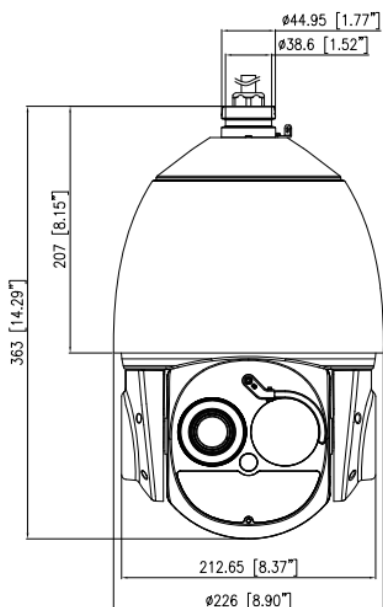
Note: The table is for reference only. The distances within it are subject to actual conditions including atmospheric conditions, target size, the installation site, and more.

Visible DORI Distance

Lens	6.27 to 251 mm
DORI Distance (Detection)	95 to 3,515 m (311.68 to 11,532.15 ft)
DORI Distance (Observe)	38 to 1,406 m (124.67 to 4,612.86 ft)
DORI Distance (Recognize)	19 to 703 m (62.34 to 2,306.43 ft)
DORI Distance (Identify)	9.5 to 351.5 m (31.17 to 1,153.22 ft)

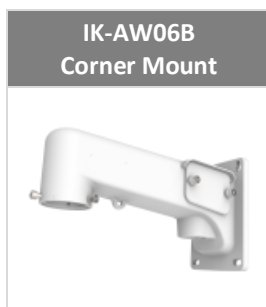
Note: DORI (Detect, Observe, Recognize, and Identify) is a standard system (EN-62676-4) for defining the ability of a person viewing the video to distinguish persons or objects within a covered area. The numbers in this table do not reflect intelligent function distances. For intelligent function distances, refer to installation and commissioning manual/project design tool.

Dimensions (mm)



Accessories

Included:



Optional:

IK-AC348A Ceiling Mount	IK-AP605 Pole Mount	IK-ACR604 Corner Mount	IK-AJ367 Junction Box	IK-AP358 Pole Mount	IK-ACR359 Corner Mount
					

