



IK-B8325CR-Z

8MP Hybrid HD Analogue Varifocal Bullet Camera

Key Features

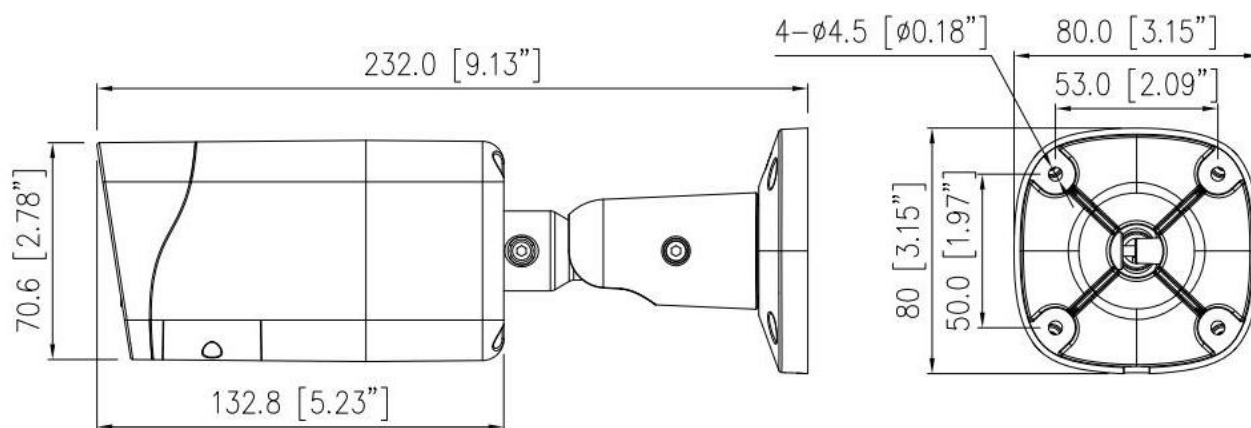
- 1/2.8" Progressive Scan CMOS
- Max. 8MP(3840×2160) @15fps resolution
- 2.7 ~ 13.5 mm motorized lens
- WDR, 3D DNR, ICR, BLC, GLOBE, AWB
- IR distance up to 40m
- Support AHD/TVI/CVI/CVBS Output
- IP67

Specification

Camera	
Image Sensor	1/2.8" Progressive Scan CMOS
Signal System	PAL/NTSC
Electronic Shutter	Auto/Manual, 1/30 ~ 1/10,000s
Min. illumination	Color: 0.01 Lux @ (F1.2, AGC ON), 0 Lux with IR on
S/N Ratio	More than 50dB
OSD Joystick	Supported
Up the Coax	Supported
Angle Adjustment	Pan: 0° ~ 360°, Tilt: 0° ~ 90°, Rotation: 0° ~ 360°
Language	English, Chinese, Traditional Chinese, Russian, Spanish, French, Polish, Italian, Portuguese, Japanese, Korean.
Lens	
Lens Type	Varifocal lens, motorized focus
Iris	Fixed Iris
Focal Length	2.7 ~ 13.5 mm
Max. Aperture	F1.6
Field of View (FoV)	H: 99.6° to 30.5°, V: 53.6° to 17.1°
Illuminator	
Illuminator Type	IR
Illuminator Number	4pcs
Illumination Distance	Up to 40 m (131.2 ft)
IR wavelength	850 nm
Video	
Resolution	8MP (3840×2160)
Frame Rate	AHD/TVI/CVI: 8MP @ 15fps/12.5fps CVBS: PAL/NTSC
Video Output	Support AHD/TVI/CVI/CVBS Output
Day/Night	Auto, Color, B/W, Ext
OSD Menu	Supported

Wide Dynamic Range	WDR, OFF/ON
Gain Control	Auto
Noise Reduction	2D/3D DNR, Auto/Manual
White Balance	Auto
BLC	Supported
General	
Power Supply	12 VDC ±10%
Power Consumption	Max. 5.5 W (12V DC, IR ON)
Operating Temperature	-10 °C to 55 °C (14°F to 131 °F)
Operating Humidity	Less than 85% RH
Ingress Protection	IP67
Certifications	CE-EMC: - EN 61000-6-3, EN 61000-3-2, EN 61000-3-3, EN 50130-4 FCC 47 CFR Part 15 Subpart B
Material	Metal
Dimensions	232 × 80 × 80 mm (9.13 × 3.15 × 3.15 inch)
Net Weight	0.65 kg (1.43 lb)

Dimensions (mm)



Accessories

Optional:

IK-AJ56A Junction Box	IK-AP27D Pole Mount
	