



IK-D2328ER-Z

2MP Hybrid HD Analogue Varifocal Dome Camera

Key Features

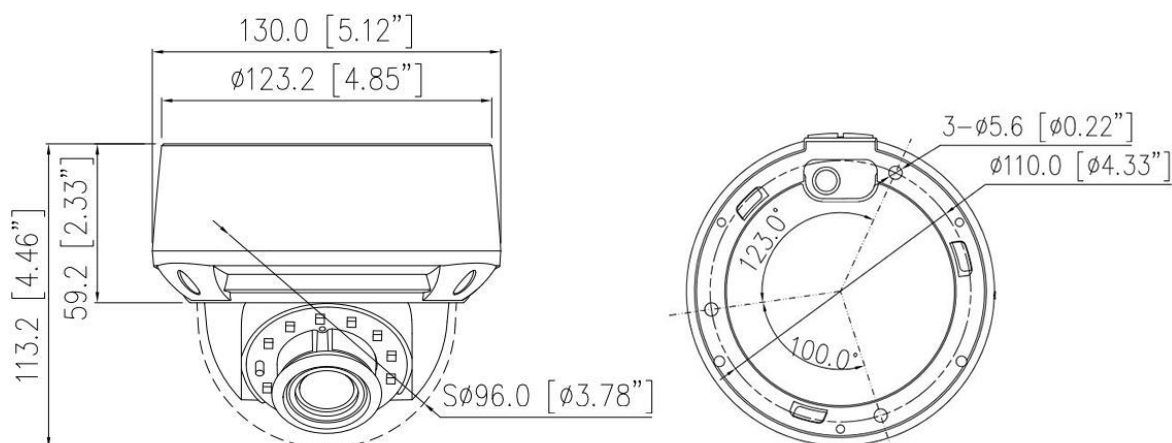
- 1/2.8" Progressive Scan CMOS
- 2.8 ~ 12 mm motorized lens
- Max 30fps@1080P
- Video transmission 300m
- IR distance up to 30m
- 3D DNR, WDR, ICR, GLOBE, ATW
- Support AHD/TVI/CVI/CVBS Output
- IP67, IK10

Specification

Camera	
Image Sensor	1/2.8" Progressive Scan CMOS
Signal System	PAL/NTSC
Electronic Shutter	Auto, PAL: 1/25 ~ 1/10000s, NTSC: 1/30 ~ 1/10000s
Min. illumination	Color: 0.001 Lux @ (F1.2, AGC ON), B/W: 0 Lux with IR on
S/N Ratio	More than 50dB
OSD Joystick	Support
Up the Coax	Support
Angle Adjustment	Pan: 0° ~ 355°, Tilt: 0° ~ 80°, Rotation: 0° ~ 355°
Lens	
Lens Type	Varifocal lens, motorized focus
Iris	Fixed Iris
Focal Length	2.8 ~ 12 mm
Max. Aperture	F1.6
Field of View (FoV)	H: 94.9° ~ 37.1°, V: 50.2° ~ 20.8°
Illuminator	
Illuminator Type	IR
Illuminator Number	15pcs
Illumination Distance	Up to 30 m (98.4 ft)
IR wavelength	850 nm
Video	
Resolution	1080P (1920×1080)
Frame Rate	PAL: 25fps ,NTSC: 30fps
Video Output	Support AHD/TVI/CVI/CVBS Output
Day/Night	Auto / Color / B&W / EXT
OSD Menu	Support
Wide Dynamic Range	WDR, EXT/OPEN/CLOSE

Gain Control	Auto
Noise Reduction	3D DNR, AUTO/MANUAL (0-30)
White Balance	Auto
BLC	Support
General	
Power Supply	12 VDC ±10%
Power Consumption	Max. 4.5 W (12V DC, IR ON)
Operating Temperature	-10 °C to 55 °C (14°F to 131 °F)
Operating Humidity	Less than 85% RH
Ingress Protection	IP67, IK10
Certifications	CE-EMC: - EN 61000-6-3, EN 61000-3-2, EN 61000-3-3, EN 50130-4 FCC 47 CFR Part 15 Subpart B
Material	Aluminum alloy body, bubble: plastic
Dimensions	Φ130 × 113.2 mm (φ5.12 × 4.46 inch)
Net Weight	0.8 kg (1.76 lb)

Dimensions (mm)



Accessories

Optional:

IK-AJ57 Junction Box	IK-ACC01 Pendant Cap	IK-AC02 Ceiling Bracket	IK-AW01 Corner Mount
			
IK-AW02 Wall Mount	IK-AF01 Recessed Mount	IK-AP01 Pole Mount	IK-ACR02 Corner Mount
			