



IK-T83111CR-M

8MP Hybrid HD Analogue IR Turret Camera

Key Features

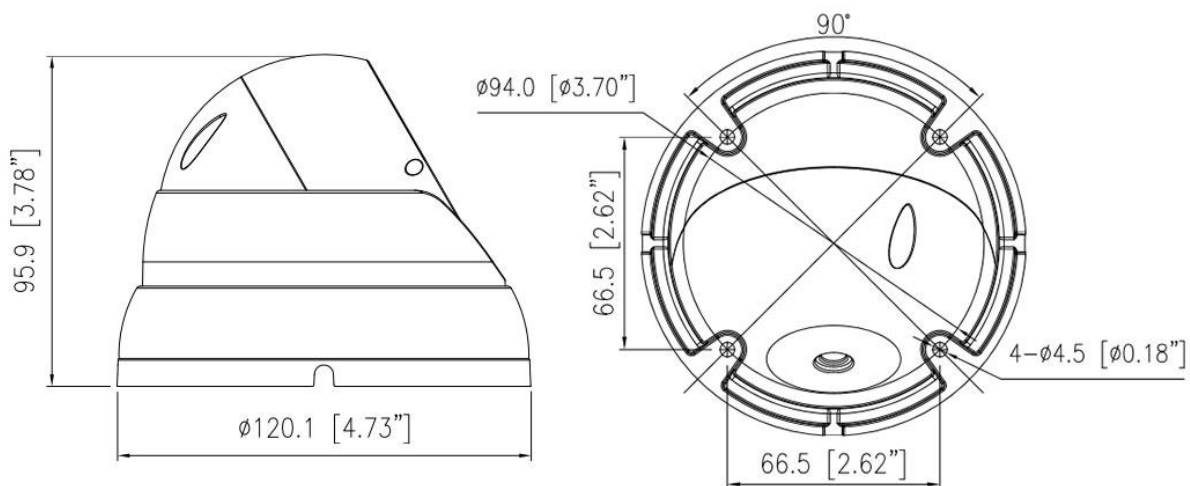
- 1/3" progressive scan CMOS
- Max. 8MP(3840×2160) @15fps resolution
- 2.8 to 12 mm manual lens
- Up to 300m video transmission distance
- IR illumination distance up to 35m
- Supports 2D DNR, DWDR, ICR, BLC, ATW
- Supports AHD/TVI/CVI/CVBS video outputs
- Multi-language OSD (11 languages)
- IP66

Specification

Camera	
Image Sensor	1/3" Progressive Scan CMOS
Signal System	PAL/NTSC
Electronic Shutter	Auto
Min. illumination	Color: 0.02 Lux@(F1.2,AGC ON), 0 Lux with IR on
S/N Ratio	More than 48dB
OSD Joystick	Optional
Up the Coax	Supported
Angle Adjustment	Pan: 0° ~ 360°, Tilt: 0° ~ 90°, Rotation: 0° ~ 360°
Language	English, Chinese, Traditional Chinese, Russian, Spanish, French, Polish, Italian, Portuguese, Japanese, Korean.
Lens	
Lens Type	Varifocal lens, Manual focus
Iris	Fixed Iris
Focal Length	2.8 to 12 mm
Max. Aperture	F1.6
Field of View (FoV)	H: 98.4° to 26.4°, V: 52.7° to 14.9°
Illuminator	
Illuminator Type	IR
Illuminator Number	24 pcs
Illumination Distance	Up to 35 m (114.8 ft)
IR wavelength	850 nm
Video	
Resolution	8MP (3840×2160)
Frame Rate	TVI/AHD/CVI: 8MP 15fps/12.5fps, AHD/TVI: 5MP 20fps/12.5fps, 4MP 25fps/30fps/15fps, 1080P 25fps/30fps CVI: 4MP 25fps/30fps CVBS: PAL/NTSC
Video Output	Support AHD/TVI/CVI/CVBS output
OSD Menu	Supported

Wide Dynamic Range	DWDR
AE Setting	Brightness, Exposure Mode (Globe / Center / BLC)
White Balance	Auto / Manual
Day/Night	Auto / Color / B/W/ Ext
Image Enhance	Contrast, Sharpness, Saturate
Noise Reduction	2D DNR, Auto/Manual (0-10)
Flip	Close / Open
Mirror	Close / Open
General	
Power Supply	12 VDC ±10%
Power Consumption	Max. 6 W (12V DC, IR ON)
Operating Temperature	-10 °C to 55 °C (14°F to 131 °F)
Operating Humidity	Less than 85% RH
Ingress Protection	IP66
Certifications	CE-EMC: - EN 61000-6-3, EN 61000-3-2, EN 61000-3-3, EN 50130-4 FCC 47 CFR Part 15 Subpart B
Material	ABS
Dimensions	φ120.1 × 95.9 mm (φ4.73 × 3.78 inch)
Net Weight	0.8 kg (1.76 lb)

Dimensions (mm)



Accessories

Optional:

IK-AJ361 Junction Box	IK-ACC01A Pendant Cap	IK-AC02 Ceiling Bracket	IK-AW01 Corner Mount
			
IK-AW02 Wall Mount	IK-AP01 Pole Mount	IK-ACR02 Corner Mount	
			