



IK-T5863FR-VZ

5MP IR Varifocal Turret Network Camera

Key Features

- 1/2.8" STARVIS™ CMOS
- 25/30fps @ 5MP(2592×1944)
- 2.7 to 12 mm motorized focal lens
- Support face, human, vehicle detection and capture
- Intelligent analysis: intrusion, single / double line crossing, loitering, wrong-way detection, illegal parking, smart motion detection, and people counting
- True WDR, 3D DNR, ROI, Defog, HLC
- Smart IR distance up to 40 m
- Built-in microphone, 1/1 audio input/output, 1/1 alarm input/output
- Built-in micro SD card slot (up to 1 TB)
- IP66

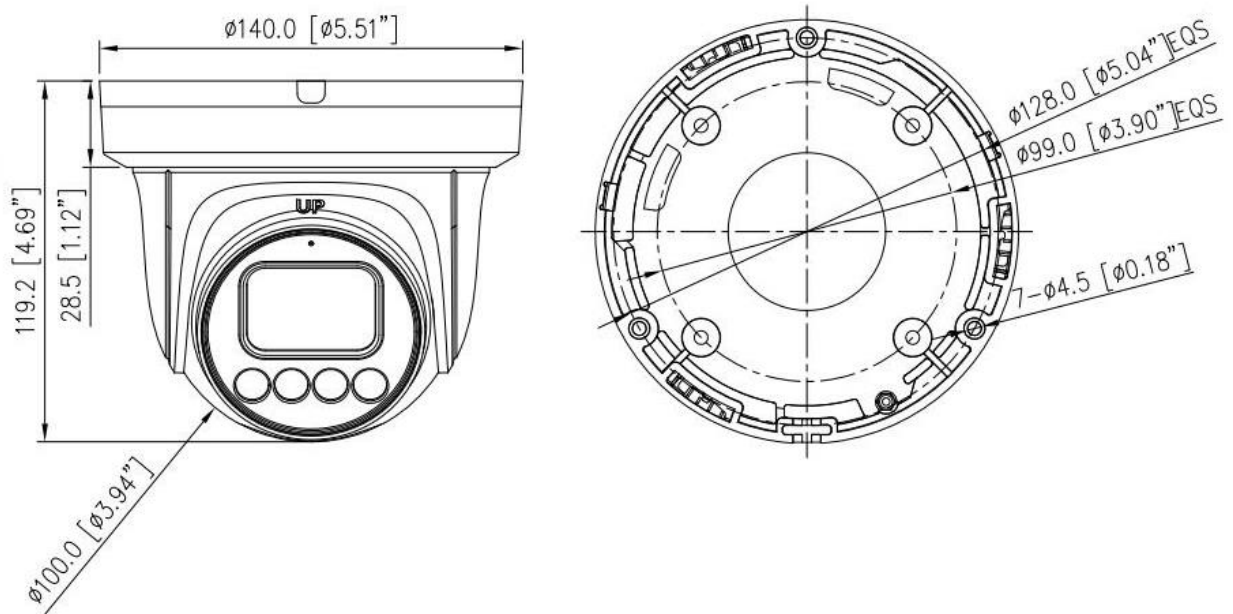
Specification

Camera	
Image Sensor	1/2.8" Progressive Scan CMOS
Max. Resolution	5MP, 2592(H) × 1944(V)
Electronic Shutter	Auto/Manual, 1/5 to 1/20,000s
Min. illumination	Color: 0.005 Lux @ (F1.6, AGC ON) , B/W: 0 Lux with IR
Day & Night	Auto (ICR)
Wide Dynamic Range	True WDR
Angle Adjustment	Pan: 0° to 355°, Tilt: 0° to 80°, Rotation: 0° to 360°
Lens	
Lens Type	Varifocal lens, Motorized focal
Iris	Auto Iris
Focal Length	2.7 to 12 mm
Max. Aperture	F1.6
Field of View (FOV)	H: 94° to 30.5°, V: 68.2° to 22.9°
DORI Distance	
Detect	64 to 196 m (210.0 to 643.0 ft)
Observe	25.6 to 78.4 m (84.0 to 257.2 ft)
Recognize	12.8 to 39.2 m (42.0 to 128.6 ft)
Identify	6.4 to 19.6 m (21.0 to 64.3 ft)
DORI (Detect, Observe, Recognize, and Identify) is a standard system (EN-62676-4) for defining the ability of a person viewing the video to distinguish persons or objects within a covered area. The numbers in this table do not reflect intelligent function distances.	
Illuminator	
Illuminator Type	IR
Illumination Distance	Up to 40 m (131.2 ft)
Illumination On/Off Control	Auto/Manual
IR wavelength	850 nm
Intelligent Analytics	
Multi-Object Detection	Supports face, human, vehicle detection and capture. Supports multiple frame modes: Full Frame, Four-corner Frame, and Mosaic.

Intelligent Analysis	Intrusion, Single line crossing, Double line crossing, Loitering, Wrong-way detection, Illegal parking, and Smart motion detection Support alarm triggering by specified target types (human and vehicle)
People Counting	Supported
Video and Audio	
Streaming Capability	3 Streams
Stream/Frame Rate	Stream1: 2592×1944, 2592×1520, 1920×1080, 1280×720 @25/30fps Stream2: D1, VGA, CIF @25/30fps Stream3: VGA, CIF, QVGA @25/30fps
Bit Rate Control	CBR/VBR
Bit Rate	Stream1: 200 Kbps to 12 Mbps Stream2: 100 Kbps to 6 Mbps Stream3: 100 Kbps to 3 Mbps
Smart Encoder	Supported
Region of Interest (ROI)	Off/On (8 Zone, Rectangle)
Audio Compression	G.711 A-law, G.711 μ -law, RAW_PCM
Audio Bit Rate	64 Kbps (G.711), 128 Kbps (RAW_PCM)
Image	
Image Adjustment	Brightness, Sharpness, Contrast, Saturation adjustable
Scene Mode	Indoor, Outdoor, Mirror, Corridor mode
Exposure Mode	Auto, Manual, Shutter priority
White Balance	Auto, Tungsten, Fluorescent, Daylight, Shadow, Manual
Day/Night Setting	Auto, Day, Night, Timer
Noise Reduction	2D/3D DNR
Image Enhancement	HLC, BLC, Defog, WDR
Privacy Masking	4 areas
Event	
Alarm Triggers	IVS, Motion detection, Alarm input, Network alarm, Disk alarm, Day/Night switch alarm, Abnormal sound detection
Event Actions	Alarm record, Alarm output, FTP upload, SMTP upload, Audible alarm output
Network	
Protocols	IPv4/IPv6, HTTP/HTTPS, DNS, DDNS, DHCP, PPPoE, RTSP/ RTCP/RTP, TCP/UDP, NTP, ARP, UPnP, FTP, SMTP, QoS, ICMP, IGMP, SNMP, 802.1x, SNMP, Multicast
Interoperability	ONVIF (Profile S/T/G/M), SDK, CGI
Max Concurrent Streams	10 channels
User/Host Level	32+ users, 3 levels: Administrator, Operator, Media user

Security	IP address filter, HTTPS, Illegal login lock, IEEE 802.1x
Web Viewer	<IE11, Chrome, Firefox, Microsoft Edge
Interface	
Network Interface	1 Ethernet (10/100 Base-T) RJ-45 Connector
Built-in Microphone	Supported
Audio Interface	1ch Input, 1ch Output
Alarm Interface	1ch Input, 1ch Output
SD Card Slot	Built-in, up to 1 TB
Reset Button	Supported
General	
Language	English, Chinese, Traditional Chinese, Polish, Italian, Portuguese, Spanish, Russian, French, Czech, Hungarian, Japanese, Korean. Default: English
Power Supply	12 VDC (-10% to +25%) / PoE (802.3af)
Power Consumption	Typical: 2.4 W (12 VDC) / approx. 3 W (PoE) Max (IR on): 6 W (12 VDC) / approx. 7.5 W (PoE)
Operating Temperature	-40°C to 60°C (-40°F to 140°F)
Operating Humidity	Less than 90% RH
Ingress Protection	IP66
Certifications	CE-EMC - EN 55032, EN IEC 61000-6-4, EN IEC 61000-3-2, EN 61000-3-3, EN 55035, EN 50130-4 FCC 47 CFR Part 15 Subpart B
Material	Aluminum alloy body + plastic
Dimensions	φ140 × 119.2 mm (5.51 × 4.69 inch)
Net Weight	Approx. 900 g (1.98 lb)

Dimensions (mm)



Accessories

Optional:

IK-AJ45G Junction Box	IK-ACC06 Pendant Cap	IK-AC02 Ceiling Bracket	IK-AW01 Corner Mount
			
IK-AW02 Wall Mount	IK-AP01 Pole Mount	IK-ACR02 Corner Mount	
			

