



# IK-F8872FR-VZ

4 × 8MP 4-Directional Multi-sensor Network Camera

## Key Features

- Four 8MP 1/2.8" STARVIS CMOS image sensor
- 4 adjustable lenses in one camera, each lens up to 8 MP (3840 × 2160) @25/30 fps
- 2.7 to 13.5 mm motorized lens
- True WDR, 3D DNR, ROI, HLC, BLC, Defog
- Support face, human, vehicle detection and capture
- Intelligent analytics: intrusion, single line crossing, double line crossing, loitering, wrong-way, illegal parking, enter area, leave area, and smart motion detection and people counting
- Built-in microphone, 1/1 audio in/out, 4/2 alarm in/out
- Built-in SD card slot, up to 1TB
- Smart IR distance up to 40 m
- IP67, IK10

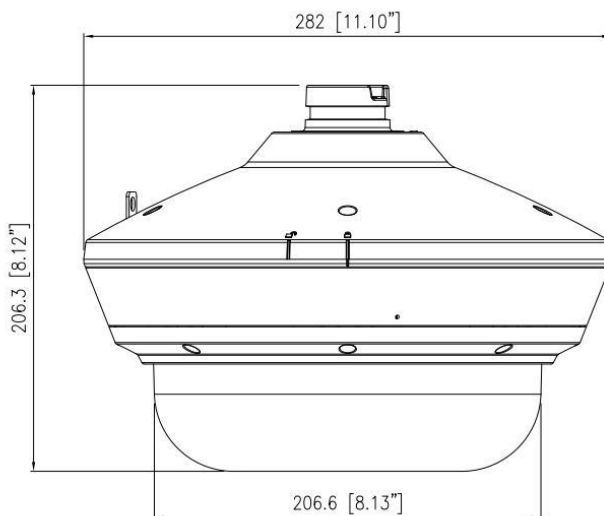
## Specification

| Camera   |   |
|--|---|
| Image Sensor   | 4 × 1/2.8" Progressive Scan CMOS  |
| Max. Resolution  | 8MP, 3840(H) × 2160(V)  |
| Electronic Shutter   | Auto/Manual, 1/5 to 1/100,000s  |
| Min. illumination  | Color: 0.005 Lux @ (F1.6, AGC ON), B/W: 0 Lux with IR   |
| Day & Night  | IR cut filter   |
| Wide Dynamic Range   | True WDR  |
| Angle Adjustment   | Pan: -180° to 180°, Tilt: 0° to 130°, Rotation: 0° to 355°  |
| Lens   |   |
| Lens Type  | Varifocal lens, Motorized focal   |
| Iris   | Auto Iris   |
| Focal Length   | 2.7 to 13.5 mm  |
| Max. Aperture  | F1.6  |
| Field of View (FOV)  | H: 108.0° to 31.4°, V: 56.1° to 17.6°   |
| DORI Distance  |   |
| Detect   | 95 to 290 m (311.7 to 951.4 ft)   |
| Observe  | 38 to 116 m (124.7 to 380.6 ft)   |
| Recognize  | 19 to 58 m (62.3 to 190.3 ft)   |
| Identify   | 9.5 to 29 m (31.2 to 95.1 ft)   |
| DORI (Detect, Observe, Recognize, and Identify) is a standard system (EN-62676-4) for defining the ability of a person viewing the video to distinguish persons or objects within a covered area. The numbers in this table do not reflect intelligent function distances. |   |
| Illuminator  |   |
| Illuminator Type   | IR  |
| Illumination Distance  | IR distance up to 40 m (131.2 ft)   |
| Illumination On/Off Control  | Auto/Manual   |
| IR Wavelength  | 850 nm  |
| Intelligent Analytics  |   |
| Multi-Object Detection   | Supports face, human, vehicle detection and capture.<br>Supports multiple frame modes: Full Frame, Four-corner Frame, and Mosaic. |

|                          |  |
|--------------------------|--|
| Intelligent Analysis     | Intrusion, Smart motion detection, Single line crossing, Double line crossing, Loitering, Wrong-way detection, Illegal parking, Enter area, and Leave area<br>Support alarm triggering by specified target types (human and vehicle) |
| People Counting          | Supported  |
| <b>Video and Audio</b>   |  |
| Streaming Capability     | 3 Streams  |
| Stream/Frame Rate        | Stream1: 3840 × 2160, 2592 × 1944, 2592 × 1520, 2560 × 1440, 2304 × 1296, 1920 × 1080, 1280 × 720 @25/30 fps<br>Stream2: D1, VGA, CIF @25/30 fps<br>Stream3: VGA, CIF, QVGA @25/30 fps   |
| Bit Rate Control         | CBR/VBR  |
| Bit Rate                 | Stream1: 200 kbps to 16 Mbps<br>Stream2: 100 kbps to 6 Mbps<br>Stream3: 100 kbps to 3 Mbps   |
| Smart Encoder            | Supported  |
| Region of Interest (ROI) | Supported  |
| Audio Compression        | G.711 A-law, G.711 μ-law, RAW_PCM  |
| Audio Bit Rate           | 64 Kbps (G.711), 128 Kbps (RAW_PCM)  |
| <b>Image</b>             |  |
| Image Adjustment         | Brightness, Sharpness, Contrast, Saturation adjustable   |
| Scene Setting            | Indoor, Outdoor, Mirror, Corridor Mode   |
| Exposure Mode            | Auto, Manual, Shutter priority   |
| White Balance            | Auto, Tungsten, Fluorescent, Daylight, Shadow, Manual  |
| Day/Night Setting        | Auto, Day, Night, Timer  |
| Noise Reduction          | 2D/3D DNR  |
| Image Enhancement        | WDR, HLC, BLC, Defog   |
| Privacy Masking          | Up to 4 × 4 areas  |
| <b>Event</b>             |  |
| Alarm Triggers           | IVS, Motion detection, Alarm input, Network alarm, Disk alarm, Day/Night switch alarm, Abnormal sound detection  |
| Event Actions            | Alarm record, FTP upload, SMTP upload, Alarm output, Audible alarm output  |
| <b>Network</b>           |  |
| Protocols                | IPv4/IPv6, HTTP/HTTPS, DNS, DDNS, DHCP, PPPoE, RTSP/ RTCP/RTP, TCP/UDP, NTP, ARP, UPnP, FTP, SMTP, QoS, ICMP, IGMP, SMTP, 802.1x, SNMP, Multicast  |
| Interoperability         | ONVIF (Profile S/T/G/M), SDK, CGI  |
| Max Concurrent Streams   | 10 channels  |
| User/Host Level          | 32+ users, 3 levels: Administrator, Operator, Media user   |

|                       |  |
|-----------------------|--|
| Security              | IP address filter, HTTPS, Illegal login lock, IEEE 802.1x  |
| Web Viewer            | <IE11, Chrome, Firefox, Microsoft Edge   |
| <b>Interface</b>      |  |
| Network Interface     | 1 Ethernet (100/1000 Base-T) RJ-45 Connector   |
| Built-in Microphone   | Supported  |
| Audio Interface       | 1ch Input, 1ch Output  |
| Alarm Interface       | 4ch Input, 2ch Output  |
| RS-485                | 1 RS-485   |
| CVBS Interface        | 1 BNC interface  |
| SD Card Slot          | Built-in, up to 1 TB   |
| Reset Button          | Supported  |
| <b>General</b>        |  |
| Language              | English, Chinese, Traditional Chinese, Polish, Italian, Portuguese, Spanish, Russian, French, Czech, Hungarian, Japanese, Korean. Default: English |
| Power Supply          | 12 VDC (-15% to +25%) / PoE+ (802.3at)   |
| Power Consumption     | Typical: 10.8 W (12 VDC) / approx. 13.5 W (PoE)<br>Max (IR on): 20.2 W (12 VDC) / approx. 25.3 W (PoE)   |
| Operating Temperature | -40°C to 60°C (-40°F to 140°F)   |
| Operating Humidity    | Less than 90% RH   |
| Ingress Protection    | IP67, IK10   |
| Certifications        | CE-EMC<br>- EN 55032, EN IEC 61000-6-4, EN IEC 61000-3-2, EN 61000-3-3, EN 55035, EN 50130-4<br>FCC 47 CFR Part 15 Subpart B                       |
| Material              | Aluminum alloy body, bubble: plastic   |
| Dimensions            | Φ282 × 206.3 mm (φ11.1 × 8.12 inch) , (Bracket not included)   |
| Net Weight            | 4 kg (8.82 lb), (Bracket not included)   |

## Dimensions (mm)



## Accessories

Included:



Optional:

| IK-AC348A<br>Ceiling Bracket  | IK-ACR605<br>Corner Mount   | IK-AP604B<br>Pole Mount   | IK-AJ367<br>Junction Box  | IK-ACR358<br>Corner Mount   | IK-AP359<br>Pole Mount  |
|---|---|---|---|---|---|
|  |  |  |  |  |  |

