



# IK-T5862FR-B

## 5MP IR Fixed Turret Network Camera

### Key Features

- 1/2.8" STARVIS™ CMOS
- 25/30fps @ 5MP(2592×1944)
- 2.8 mm fixed lens
- Support face, human, vehicle detection and capture
- Intelligent analysis: intrusion, single / double line crossing, loitering, wrong-way detection, illegal parking, smart motion detection, and people counting
- True WDR, 3D DNR, ROI, Defog, HLC
- Smart IR distance up to 30 m
- Built-in microphone, 1/1 audio input/output, 1/1 alarm input/output
- Built-in micro SD card slot (up to 1 TB)
- IP66 protection

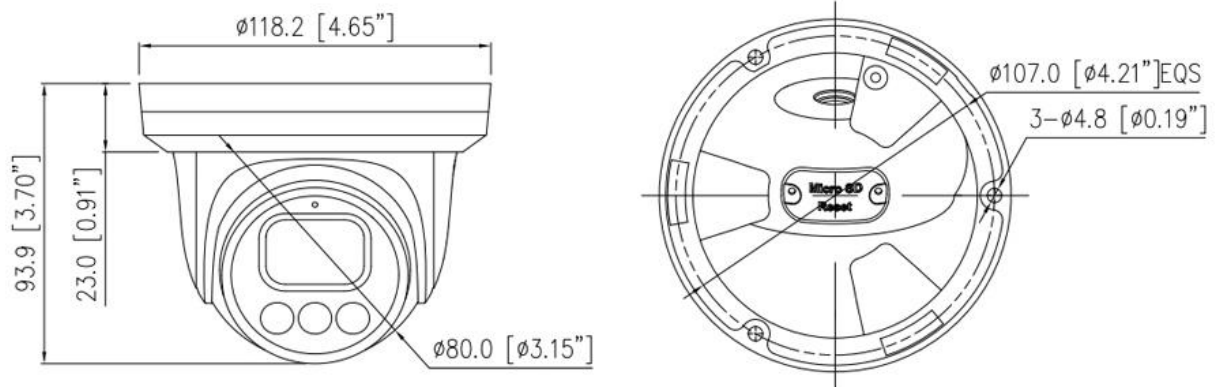
## Specification

| Camera   |   |                   |                  |                 |
|--|---|-------------------|------------------|-----------------|
| Image Sensor   | 1/2.8" Progressive Scan CMOS  |                   |                  |                 |
| Max. Resolution  | 5MP, 2592H) × 1944(V)   |                   |                  |                 |
| Electronic Shutter   | Auto/Manual, 1/5 to 1/20,000s   |                   |                  |                 |
| Min. illumination  | Color: 0.005 Lux @ (F1.6, AGC ON) , B/W: 0 Lux with IR  |                   |                  |                 |
| Day & Night  | Auto (ICR)  |                   |                  |                 |
| Wide Dynamic Range   | True WDR  |                   |                  |                 |
| Angle Adjustment   | Pan: 0° to 355°, Tilt: 0° to 80°, Rotation: 0 to 360°   |                   |                  |                 |
| Lens   |   |                   |                  |                 |
| Lens Type  | Fixed lens, Fixed focal   |                   |                  |                 |
| Iris   | Fixed Iris  |                   |                  |                 |
| Focal Length   | 2.8 mm, 4 mm optional   |                   |                  |                 |
| Max. Aperture  | F2.0 / F1.6   |                   |                  |                 |
| Field of View (FOV)  | 2.8 mm:<br>- H: 93.9°, V: 68.7°<br>4 mm:<br>- H: 80.6°, V: 57°  |                   |                  |                 |
| DORI Distance  |   |                   |                  |                 |
| Lens   | Detect  | Observe           | Recognize        | Identify        |
| 2.8 mm   | 68 m (223.1 ft)   | 27.2 m (89.2 ft)  | 13.6 m (44.6 ft) | 6.8 m (22.3 ft) |
| 4 mm   | 88 m (288.7 ft)   | 35.2 m (115.5 ft) | 17.6 m (57.7 ft) | 8.8 m (28.9 ft) |
| DORI (Detect, Observe, Recognize, and Identify) is a standard system (EN-62676-4) for defining the ability of a person viewing the video to distinguish persons or objects within a covered area. The numbers in this table do not reflect intelligent function distances. |   |                   |                  |                 |
| Illuminator  |   |                   |                  |                 |
| Illuminator Type   | IR  |                   |                  |                 |
| Illumination Distance  | Up to 30 m (98.4 ft)  |                   |                  |                 |
| Illumination On/Off Control  | Auto/Manual   |                   |                  |                 |
| IR wavelength  | 850 nm  |                   |                  |                 |
| Intelligent Analytics  |   |                   |                  |                 |
| Multi-Object Detection   | Supports face, human, vehicle detection and capture.<br>Supports multiple frame modes: Full Frame, Four-corner Frame, and Mosaic. |                   |                  |                 |

|                          |  |
|--------------------------|--|
| Intelligent Analysis     | Intrusion, Single line crossing, Double line crossing, Loitering, Wrong-way detection, Illegal parking, and Smart motion detection<br>Support alarm triggering by specified target types (human and vehicle) |
| People Counting          | Supported  |
| <b>Video and Audio</b>   |  |
| Streaming Capability     | 3 Streams  |
| Stream/Frame Rate        | Stream1: 2592×1944, 2592×1520, 1920×1080, 1280×720 @25/30fps<br>Stream2: D1, VGA, CIF @25/30fps<br>Stream3: VGA, CIF, QVGA @25/30fps   |
| Bit Rate Control         | CBR/VBR  |
| Bit Rate                 | Stream1: 200 Kbps to 12 Mbps<br>Stream2: 100 Kbps to 6 Mbps<br>Stream3: 100 Kbps to 3 Mbps   |
| Smart Encoder            | Supported  |
| Region of Interest (ROI) | Off/On (8 Zone, Rectangle)   |
| Audio Compression        | G.711 A-law, G.711 $\mu$ -law, RAW_PCM   |
| Audio Bit Rate           | 64 Kbps (G.711), 128 Kbps (RAW_PCM)  |
| <b>Image</b>             |  |
| Image Adjustment         | Brightness, Sharpness, Contrast, Saturation adjustable   |
| Scene Mode               | Indoor, Outdoor, Mirror, Corridor mode   |
| Exposure Mode            | Auto, Manual, Shutter priority   |
| White Balance            | Auto, Tungsten, Fluorescent, Daylight, Shadow, Manual  |
| Day/Night Setting        | Auto, Day, Night, Timer  |
| Noise Reduction          | 2D/3D DNR  |
| Image Enhancement        | HLC, BLC, Defog, WDR   |
| Privacy Masking          | 4 areas  |
| <b>Event</b>             |  |
| Alarm Triggers           | IVS, Motion detection, Alarm input, Network alarm, Disk alarm, Day/Night switch alarm, Abnormal sound detection  |
| Event Actions            | Alarm record, Alarm output, FTP upload, SMTP upload, Audible alarm output  |
| <b>Network</b>           |  |
| Protocols                | IPv4/IPv6, HTTP/HTTPS, DNS, DDNS, DHCP, PPPoE, RTSP/ RTCP/RTP, TCP/UDP, NTP, ARP, UPnP, FTP, SMTP, QoS, ICMP, IGMP, SNMP, 802.1x, SNMP, Multicast  |
| Interoperability         | ONVIF (Profile S/T/G/M), SDK, CGI  |
| Max Concurrent Streams   | 10 channels  |
| User/Host Level          | 32+ users, 3 levels: Administrator, Operator, Media user   |

|                       |  |
|-----------------------|--|
| Security              | IP address filter, HTTPS, Illegal login lock, IEEE 802.1x  |
| Web Viewer            | <IE11, Chrome, Firefox, Microsoft Edge   |
| <b>Interface</b>      |  |
| Network Interface     | 1 Ethernet (10/100 Base-T) RJ-45 Connector   |
| Built-in Microphone   | Supported  |
| Audio Interface       | 1ch Input, 1ch Output  |
| Alarm Interface       | 1ch Input, 1ch Output  |
| SD Card Slot          | Built-in, up to 1 TB   |
| Reset Button          | Supported  |
| <b>General</b>        |  |
| Language              | English, Chinese, Traditional Chinese, Polish, Italian, Portuguese, Spanish, Russian, French, Czech, Hungarian, Japanese, Korean. Default: English |
| Power Supply          | 12 VDC (-10% to +25%)/PoE (802.3af)  |
| Power Consumption     | Max 6 W  |
| Operating Temperature | -40°C to 60°C (-40°F to 140°F )  |
| Operating Humidity    | Less than 90% RH   |
| Ingress Protection    | IP66   |
| Certifications        | CE-EMC<br>- EN 55032, EN IEC 61000-6-4, EN IEC 61000-3-2, EN 61000-3-3, EN 55035, EN 50130-4<br>FCC 47 CFR Part 15 Subpart B                       |
| Material              | Aluminum alloy + Plastic   |
| Dimensions            | φ118.2 × 93.9 mm (4.65 × 3.7 inch)   |
| Net Weight            | 0.55 kg (1.21 lb)  |

## Dimensions (mm)



## Accessories

Optional:

| IK-AJ46M<br>Junction Box  | IK-ACC03<br>Pendant Cap   | IK-AC02<br>Ceiling Bracket   | IK-AW01<br>Corner Mount   |
|---|---|--|---|
|  |  |  |  |
| IK-AW02<br>Wall Mount   | IK-AP01<br>Pole Mount   | IK-ACR02<br>Corner Mount   |   |
|  |  |  |   |

