



IK-B126011NC-B

12MP Smart Dual Light Active Deterrence Bullet Network Camera

Key Features

- 1/2.5" progressive scan CMOS
- Max. 12MP(4512×2512) @20fps resolution
- Support face, human, vehicle detection and capture
- Intelligent analytics: intrusion, single line crossing, double line crossing, loitering, wrong-way detection, illegal parking, area people limit, perimeter detection, and smart motion detection
- Integrated red & blue warning lights with sound-light alarm function
- True WDR, 3D DNR, ROI, HLC, BLC, Defog
- Built-in IR and warm LEDs, illumination distance up to 30m
- Built-in microphone and speaker
- Built-in microSD card slot (up to 1 TB)
- IP66 protection

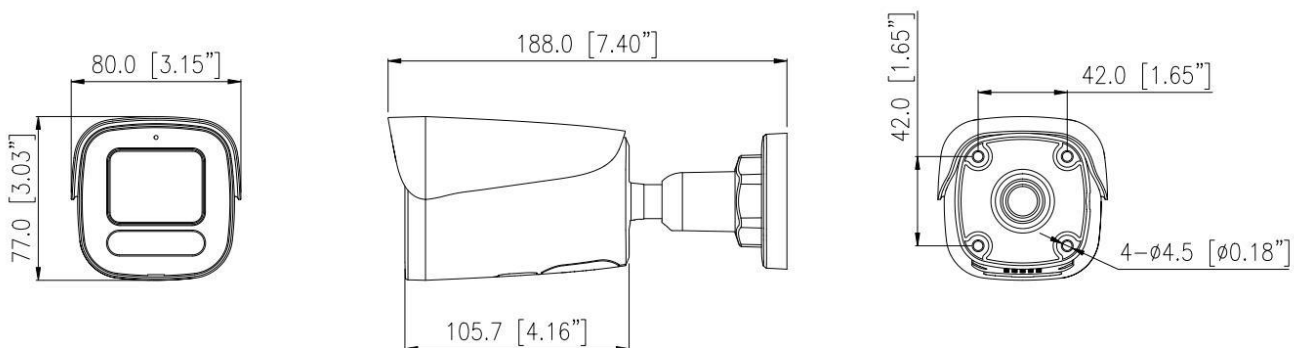
Specification

Camera	
Image Sensor	1/2.5" Progressive Scan CMOS
Max. Resolution	12MP, 4512(H) × 2512(V)
Electronic Shutter	Auto/Manual, 1/5 to 1/20,000s
Min. illumination	Color: 0.01 Lux @ (F1.6, AGC ON), B/W: 0 Lux with Light on
Day & Night	IR cut filter
Wide Dynamic Range	True WDR
Angle Adjustment	Pan: 0° to 360°, Tilt: 0° to 90°, Rotation: 0° to 360°
Lens	
Lens Type	Fixed lens, Fixed focal
Iris	Fixed Iris
Focal Length	2.8 mm
Max. Aperture	F1.6
Field of View (FOV)	H: 102.9°, V: 52.1°
DORI Distance	
Detect	107 m (351.1 ft)
Observe	42.8 m (140.4 ft)
Recognize	21.4 m (70.2 ft)
Identify	10.7 m (35.1 ft)
DORI (Detect, Observe, Recognize, and Identify) is a standard system (EN-62676-4) for defining the ability of a person viewing the video to distinguish persons or objects within a covered area. The numbers in this table do not reflect intelligent function distances.	
Illuminator	
Illuminator Type	IR, Warm light
Illumination Distance	IR distance up to 30 m (98.4 ft) Warm light distance up to 20 m (65.6 ft)
Illumination On/Off Control	Auto/Manual
IR wavelength	850 nm
Intelligent Analytics	
Multi-Object Detection	Supports face, human, vehicle detection and capture
Intelligent Analysis	Intrusion, Single line crossing, Double line crossing, Loitering, Wrong-way detection, Illegal parking, Area people limit, Perimeter detection, and Smart motion detection

	Support alarm triggering by specified target types (human or vehicle)
People Counting	Supported
Video and Audio	
Streaming Capability	3 Streams
Stream/Frame Rate	Stream1: 4512×2512, 3840×2160, 2592×1944, 2592×1520, 2560×1440, 2304×1296, 1920×1080, 1280×720 @20fps Stream2: D1, VGA, CIF @ 20fps Stream3: VGA, CIF, QVGA @ 20fps
Bit Rate Control	CBR/VBR
Bit Rate	Stream1: 200 Kbps to 20 Mbps Stream2: 100 Kbps to 6 Mbps Stream3: 100 Kbps to 3 Mbps
Region of Interest	Off/On (8 areas, Rectangle)
Smart Encode	Supported
Audio Compression	G.711 A-law, G.711 μ -law, RAW_PCM
Audio Bit Rate	64 Kbps (G.711), 128 Kbps (RAW_PCM)
Image	
Image Adjustment	Brightness, Sharpness, Contrast, Saturation adjustable
Scene Setting	Indoor, Outdoor, Mirror, Corridor Mode
Exposure Mode	Auto, Manual, Shutter priority
White Balance	Auto, Tungsten, Fluorescent, Daylight, Shadow, Manual
Day/Night Setting	Auto, Day, Night, Timer
Noise Reduction	2D/3D DNR
Image Enhancement	WDR, HLC, BLC, Defog
Privacy Masking	4 areas
Event	
Alarm Triggers	IVS, Motion detection, Network alarm, Disk alarm, Day/Night switch alarm, Abnormal sound detection
Event Actions	Alarm record, FTP upload, SMTP upload, Audible alarm output, White light alarm output, Red and blue light alarm
Network	
Protocols	IPv4/IPv6, HTTP/HTTPS, DNS, DDNS, DHCP, PPPoE, RTSP/ RTCP/RTP, TCP/UDP, NTP, ARP, UPnP, FTP, SMTP, QoS, ICMP, IGMP, SMTP, 802.1x, SNMP, Multicast
Interoperability	ONVIF (Profile S/T/G/M), SDK, CGI
Max Concurrent Streams	10 channels
User/Host Level	32+ users, 3 levels: Administrator, Operator, Media user

Security	IP address filter, HTTPS, Illegal login lock, IEEE 802.1x
Web Viewer	<IE11, Chrome, Firefox, Microsoft Edge
Interface	
Network Interface	1 Ethernet (10/100 Base-T) RJ-45 Connector
Built-in Microphone	Supported
Built-in Speaker	Supported
SD Card Slot	Built-in, up to 1 TB
Reset Button	Supported
General	
Language	English, Chinese, Traditional Chinese, Polish, Italian, Portuguese, Spanish, Russian, French, Czech, Hungarian, Japanese, Korean. Default: English
Power Supply	12 VDC (-15% to +25%)/PoE (802.3af)
Power Consumption	Typical: 3.7 W (12 VDC) / approx. 4.7 W (PoE) Max: 10.2 W (light on + red and blue warning light + speaker, 12 VDC) / approx. 12.8 W (PoE)
Operating Temperature	-35°C to 55°C (-31°F to 131°F)
Operating Humidity	Less than 90% RH
Ingress Protection	IP66
Certifications	CE-EMC - EN 55032, EN IEC 61000-6-4, EN IEC 61000-3-2, EN 61000-3-3, EN 55035, EN 50130-4 FCC 47 CFR Part 15 Subpart B
Material	Aluminum alloy body
Dimensions	188.0 × 80 × 77 mm (7.40 × 3.15 × 3.03 inch)
Net Weight	Approx. 0.52 kg (1.15 lb)

Dimensions (mm)



Accessories

Optional:

IK-AJ56A Junction Box	IK-AP27D Pole Mount
	

