



IK-B45019NR-B

4MP IR Fixed Bullet Network Camera

Key Features

- 1/3" progressive scan CMOS
- Max. 4MP (2560 × 1440) @25/30fps resolution
- 2.8 mm fixed lens (4 mm optional)
- Supports human and vehicle detection
- Intelligent analytics: intrusion detection, single/double line crossing, loitering, wrong-way detection, illegal parking, smart motion detection, and people counting
- DWDR, 3D DNR, ROI, HLC, BLC, Defog
- Smart IR illumination, distance up to 30 m
- Built-in microphone and microSD card slot (supports up to 1 TB)
- IP66-rated protection

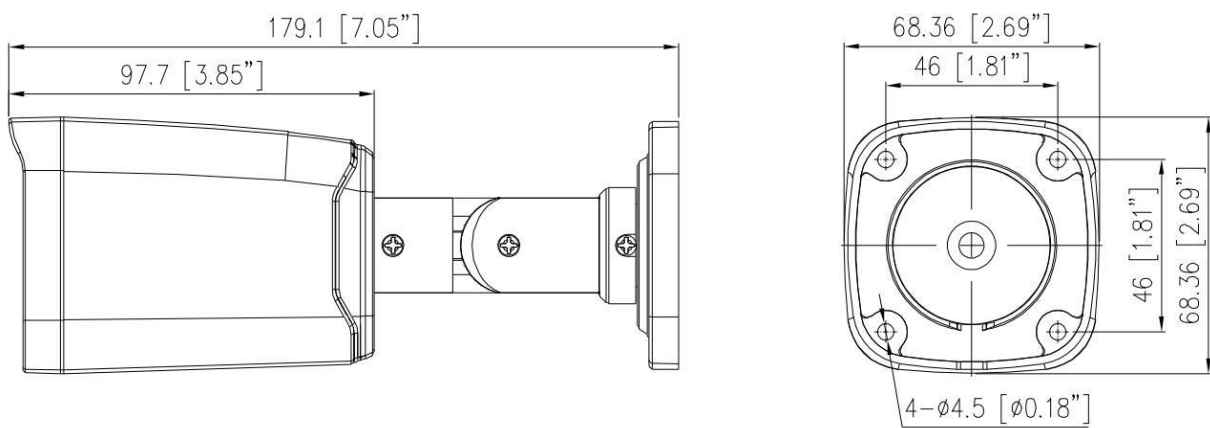
Specification

Camera				
Image Sensor	1/3" Progressive Scan CMOS			
Max. Resolution	4MP, 2560(H) × 1440(V)			
Electronic Shutter	Auto/Manual, 1/5 to 1/20,000s			
Min. illumination	Color: 0.01 Lux @ (F1.6, AGC ON), B/W: 0 Lux with IR			
Day & Night	IR cut filter			
Wide Dynamic Range	DWDR			
Angle Adjustment	Pan: 0° to 360°, Tilt: 0° to 90°, Rotation: 0° to 360°			
Lens				
Lens Type	Fixed lens, fixed focal			
Iris	Fixed Iris			
Focal Length	2.8 mm (4 mm optional)			
Max. Aperture	F2.0			
Field of View (FOV)	2.8 mm, - H: 96.4°, V: 53.8°			
DORI Distance				
Lens	Detect	Observe	Recognize	Identify
2.8 mm	66 m (216.5 ft)	26.4 m (86.6 ft)	13.2 m (43.3 ft)	6.6 m (21.7 ft)
DORI (Detect, Observe, Recognize, and Identify) is a standard system (EN-62676-4) for defining the ability of a person viewing the video to distinguish persons or objects within a covered area. The numbers in this table do not reflect intelligent function distances.				
Illuminator				
Illuminator Type	IR			
Illumination Distance	Up to 30 m (98.4 ft)			
Illumination Control	Auto/Manual			
IR wavelength	850 nm			
Intelligent Analytics				
Multi-Object Detection	Supports human/vehicle detection. Supports multiple frame modes: Full Frame, Four-corner Frame, and Mosaic.			
Intelligent Analysis	Intrusion, Single line crossing, Double line crossing, Loitering, Wrong-way, Illegal parking, and Smart motion detection. Support alarm triggering by specified target types (human and vehicle)			
People Counting	Supported			

Video and Audio	
Streaming Capability	3 Streams
Stream/Frame Rate	Stream1: 2560×1440, 2304×1296, 1920×1080, 1280×720 @25/30fps Stream2: D1, VGA, CIF @25/30fps Stream3: VGA, CIF, QVGA @25/30fps
Bit Rate Control	CBR/VBR
Bit Rate	Stream1: 200 Kbps to 12 Mbps Stream2: 100 Kbps to 6 Mbps Stream3: 100 Kbps to 3 Mbps
Region of Interest	Off/On (8 areas, Rectangle)
Smart Encode	Supported
Audio Compression	G.711 A-law, G.711 μ-law, RAW_PCM
Audio Bit Rate	64 Kbps (G.711), 128 Kbps (RAW_PCM)
Image	
Image Adjustment	Brightness, Sharpness, Contrast, Saturation adjustable
Scene Mode	Indoor, Outdoor, Mirror, Corridor mode
Exposure Mode	Auto, Manual, Shutter priority
White Balance	Auto, Tungsten, Fluorescent, Daylight, Shadow, Manual
Day/Night Setting	Auto, Day, Night, Timer
Noise Reduction	2D/3D DNR
Image Enhancement	HLC, BLC, Defog, WDR
Privacy Masking	4 areas
Event	
Alarm Triggers	IVS, Motion detection, Network alarm, Disk alarm, Day/Night switch alarm, Abnormal sound detection
Event Actions	Alarm record, FTP upload, SMTP upload
Network	
Protocols	IPv4/IPv6, RTSP/ RTCP/RTP, TCP/UDP, HTTP/HTTPS, DHCP, DNS, DDNS, PPPoE, UPnP, ICMP, IGMP, FTP, NTP, SMTP, 802.1x, SNMP
Interoperability	ONVIF (Profile S/T/G/M), SDK, CGI
Max Concurrent Streams	4 channels
User/Host Level	Up to 32 users; 3 levels: Administrator, Operator, and Media User
Security	IP address filter, HTTPS, Illegal login lock, IEEE 802.1x
Web Viewer	<IE11, Chrome, Firefox, Microsoft Edge

Interface	
Network Interface	1 × RJ45 10/100 Mbps Ethernet port
Built-in Microphone	Supported
SD Card Slot	Built-in, up to 1 TB
Reset Button	Supported
General	
Language	English, Chinese, Traditional Chinese, Polish, Italian, Portuguese, Spanish, Russian, French, Czech, Hungarian, Japanese, Korean. Default: English
Power Supply	12 VDC (-15% to +25%)/PoE (802.3af)
Power Consumption	Typical: 1.7 W (12 VDC) / approx. 2.2 W (PoE) Max (IR on): 3.5 W (12 VDC) / approx. 4.4 W (PoE)
Operating Temperature	-25°C to 55°C (-13°F to 131°F)
Operating Humidity	Less than 90% RH
Ingress Protection	IP66
Certifications	CE-EMC - EN 55032, EN IEC 61000-6-4, EN IEC 61000-3-2, EN 61000-3-3, EN 55035, EN 50130-4 FCC 47 CFR Part 15 Subpart B
Material	Metal
Dimensions	179.1 × 68.36 × 68.36 mm (7.05 × 2.69 × 2.69 inch)
Net Weight	Approx. 0.38 kg (0.84 lb)

Dimensions (mm)



Accessories

Optional:

IK-AJ56B Junction Box	IK-AP27D Pole Mount
	