



# IK-B4852FR-T-Z

4MP ANPR Bullet Network Camera

## Key Features

- 1/2.8" progressive scan CMOS
- Max. 4MP(2592 × 1520) @50/60 fps resolution
- 2.7 to 13.5 mm, 6 to 22 mm motorized lens
- Intelligent AI-powered LPR Algorithm
- Max recognition speed of 60km/h
- Up to 5,000 blacklist and whitelist
- 1/1 audio in/out, 1/1 alarm in/out
- Built-in SD card slot
- Smart IR distance up to 60 m
- IP66, IK10

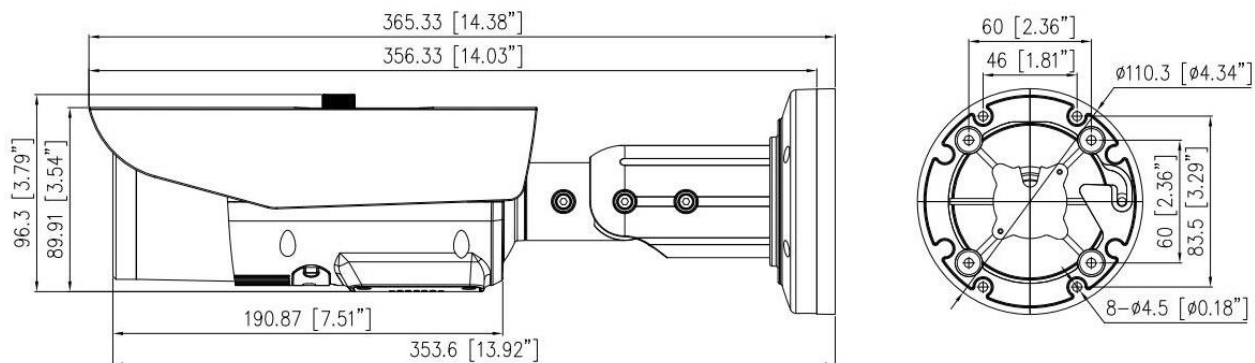
## Specification

Camera	
Image Sensor	1/2.8" Progressive Scan CMOS
Max. Resolution	4MP, 2592(H) × 1520(V)
Electronic Shutter	Auto/Manual, 1/5 to 1/20,000 s
Min. illumination	Color: 0.03 Lux @ (F1.6, AGC ON), B/W: 0 Lux @ (IR LED ON)
Day & Night	IR cut filter
Angle Adjustment	Pan: 0° to 360°, Tilt: 0° to 90°, Rotation: 0° to 360°
Lens	
Lens Type	Motorized focus
Iris	Fixed Iris
Focal Length	2.7 to 13.5 mm, 6 to 22 mm optional
F Number	F1.6
Angle of View	2.7 to 13.5 mm - H: 98.4° to 28.1°, V: 55.1° to 16.6° 6 to 22 mm - H: 42.3° to 17.3°, V: 31.2° to 13°
Illuminator	
Illuminator Type	IR
Illumination Distance	Up to 60 m (196.9 ft)
Illumination On/Off Control	Auto/Manual
IR Wavelength	850 nm
LPR	
Vehicle Speed	Up to 60km/h
Country Region Supported	Default Support: Australia, Chile, Indonesia, Malaysia, Oman, Saudi Arabia, South Africa Optional (Customized): Other countries/regions upon request
White/Black List	Up to 5,000 records
LPR Smart Search	Supported
Intelligent Analytics	
Intelligent Analysis	Intrusion, Single line crossing, Double line crossing, Wrong-way detection, and Smart motion detection Support alarm triggering by specified target types (vehicle)
Video and Audio	

Streaming Capability	3 Streams
Stream/Frame Rate	Stream1: 2592×1520, 2560×1440, 2304×1296, 1920×1080, 1280×720 @50/60fps Stream2: D1, VGA, 640×360, CIF, QVGA @25/30fps Stream3: VGA, CIF, QVGA @25/30fps
Bit Rate Control	CBR/VBR
Bit Rate	Stream1: 200 kbps to 12 Mbps Stream2: 100 kbps to 6 Mbps Stream3: 100 kbps to 3 Mbps
Smart Encoder	Supported
Region of Interest (ROI)	Off/On (8 Zone, Rectangle)
Audio Compression	G.711 A-law, G.711 $\mu$ -law, RAW_PCM
Audio Bit Rate	64 Kbps (G.711), 128 Kbps (RAW_PCM)
<b>Image</b>	
Image Adjustment	Brightness, Sharpness, Contrast, Saturation adjustable
Scene Mode	Indoor, Outdoor, LPR, Mirror, Corridor mode
Exposure Mode	Auto, Manual, Shutter priority
White Balance	Auto, Tungsten, Fluorescent, Daylight, Shadow, Manual
Day/Night Setting	Auto, Day, Night, Timer
Noise Reduction	2D/3D DNR
Image Enhancement	HLC, BLC, Defog, WDR
Privacy Masking	4 areas
<b>Event</b>	
Alarm Triggers	IVS, Motion detection, Alarm input, Network alarm, Disk alarm, Day/Night switch alarm, Abnormal sound detection
Event Actions	Alarm record, Alarm output, FTP upload, SMTP upload, Audible alarm output
<b>Network</b>	
Protocols	IPv4/IPv6, HTTP/HTTPS, DNS, DDNS, DHCP, PPPoE, RTSP/ RTCP/RTP, TCP/UDP, NTP, ARP, UPnP, FTP, SMTP, QoS, ICMP, IGMP, SMTP, 802.1x, SNMP, Multicast
Interoperability	ONVIF (Profile S/T/G/M), SDK, CGI
Max Concurrent Streams	10 channels
User/Host Level	32+ users, 3 user levels: Administrator, Operator, Media user
Security	IP address filter, HTTPS, Illegal login lock, IEEE 802.1x
Web Viewer	<IE11, Chrome, Firefox, Microsoft Edge
<b>Interface</b>	

Network Interface	1 Ethernet (10/100 Base-T) RJ-45 Connector
Audio Interface	1ch Input, 1ch Output
Alarm Interface	1ch Input, 1ch Output
SD Card Slot	Built-in, up to 1 TB
Reset Button	Supported
<b>General</b>	
Language	English, Chinese, Traditional Chinese, Polish, Italian, Portuguese, Spanish, Russian, French, Czech, Hungarian, Japanese, Korean. Default: English
Power Supply	12 VDC (-15% to +25%) / PoE (802.3af)
Power Consumption	Typical: 3.7 W (12 VDC) Max: 10.9 W (12 VDC, with light and speaker on)
Operating Temperature	-40°C to 55°C (-40°F to 131°F )
Operating Humidity	Less than 90% RH
Ingress Protection	IP66, IK10
Certifications	CE-EMC - EN 55032, EN IEC 61000-6-3, EN IEC 61000-3-2, EN 61000-3-3, EN 55035, EN 50130-4 FCC 47 CFR Part 15 Subpart B
Material	Aluminum alloy
Dimensions	φ110 × 356.3 mm (φ4.33 × 14.03 inch)
Net Weight	1.5 kg (3.31 lb)

## Dimensions (mm)



## Accessories

Optional:

IK-AJ45G Junction Box	IK-AP27D Pole Mount	IK-AP01 Pole Mount	IK-ACR02 Corner Mount
			

