



IK-B4857FR-T-VZ

4MP ANPR Bullet Network Camera

Key Features

- 1/2.8" progressive scan CMOS
- Max. 4MP(2592 × 1520) @50/60 fps resolution
- 5 to 50 mm motorized focus lens
- Intelligent AI-powered LPR Algorithm
- Max recognition speed up to 60km/h
- Up to 5,000 blacklist and whitelist
- Built-in microphone, 1/1 audio in/out, 1/1 alarm in/out
- Built-in SD card slot
- Smart IR distance up to 100 m
- IP66

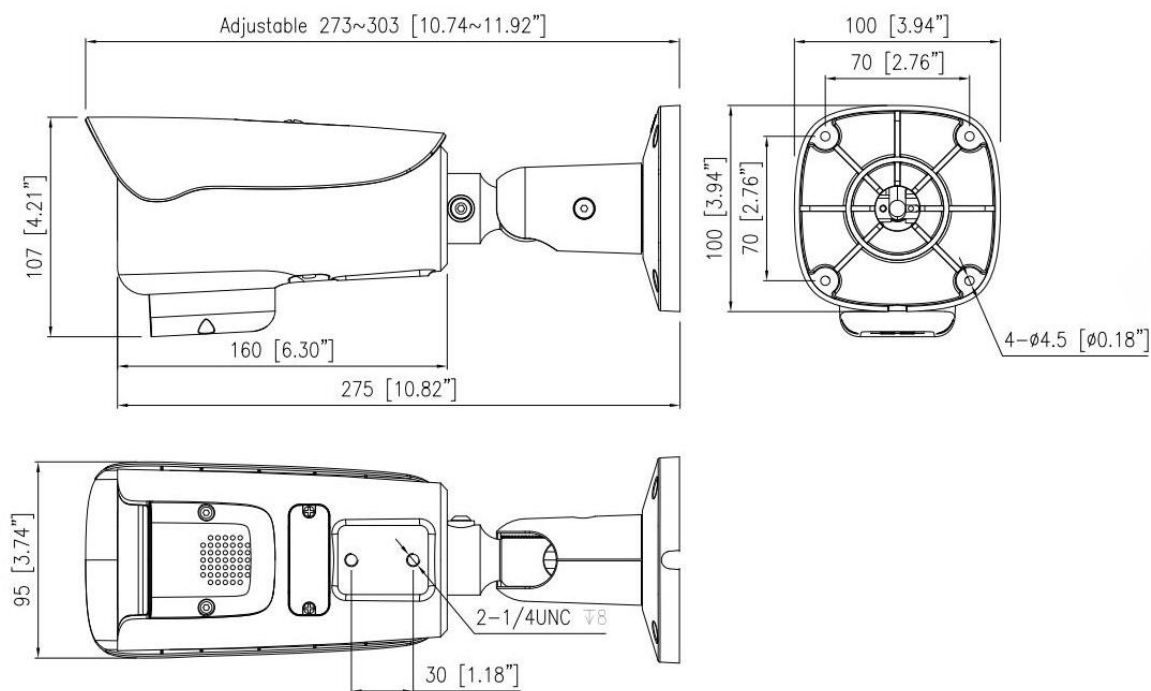
Specification

| Camera | |
|-----------------------------|--|
| Image Sensor | 1/2.8" Progressive Scan CMOS |
| Max. Resolution | 4MP, 2592(H) × 1520(V) |
| Electronic Shutter | Auto/Manual, 1/5 to 1/20,000 s |
| Min. illumination | Color: 0.03 Lux @ (F1.6, AGC ON), B/W: 0 Lux @ (IR LED ON) |
| Day & Night | IR cut filter |
| Angle Adjustment | Pan: 0° to 360°, Tilt: 0° to 90°, Rotation: 0° to 360° |
| Lens | |
| Lens Type | Motorized focus |
| Iris | Auto Iris |
| Focal Length | 5 to 50 mm |
| F Number | F2.0 |
| Angle of View | H: 46.8° to 7.7°, V: 34.5° to 5.8° |
| Illuminator | |
| Illuminator Type | IR |
| Illumination Distance | Up to 100 m (328.1 ft) |
| Illumination On/Off Control | Auto/Manual |
| IR Wavelength | 850 nm |
| LPR | |
| Vehicle Speed | Up to 60 km/h |
| Country Region Supported | Default Support: Australia, Chile, Indonesia, Malaysia, Oman, Saudi Arabia, South Africa Optional (Customized): Other countries/regions upon request |
| White/Black List | Up to 5,000 records |
| LPR Smart Search | Supported |
| Intelligent Analytics | |
| Intelligent Analysis | Intrusion, Single line crossing, Double line crossing, Wrong-way detection, and Smart motion detection Support alarm triggering by specified target types (vehicle) |
| Video and Audio | |
| Streaming Capability | 3 Streams |

| | |
|--------------------------|--|
| Stream/Frame Rate | Stream1: 2592×1520, 2560×1440, 2304×1296, 1920×1080, 1280×720 @50/60fps Stream2: D1, VGA, 640×360, CIF, QVGA @25/30fps Stream3: VGA, CIF, QVGA @25/30fps |
| Bit Rate Control | CBR/VBR |
| Bit Rate | Stream1: 200 kbps to 12 Mbps Stream2: 100 kbps to 6 Mbps Stream3: 100 kbps to 3 Mbps |
| Smart Encoder | Supported |
| Region of Interest (ROI) | Off/On (8 Zone, Rectangle) |
| Audio Compression | G.711 A-law, G.711 μ-law, RAW_PCM |
| Audio Bit Rate | 64 Kbps (G.711), 128 Kbps (RAW_PCM) |
| Image | |
| Image Adjustment | Brightness, Sharpness, Contrast, Saturation adjustable |
| Scene Mode | Indoor, Outdoor, LPR, Mirror, Corridor mode |
| Exposure Mode | Auto, Manual, Shutter priority |
| White Balance | Auto, Tungsten, Fluorescent, Daylight, Shadow, Manual |
| Day/Night Setting | Auto, Day, Night, Timer |
| Noise Reduction | 2D/3D DNR |
| Image Enhancement | HLC, BLC, Defog, WDR |
| Privacy Masking | 4 areas |
| Event | |
| Alarm Triggers | IVS, Motion detection, Alarm input, Network alarm, Disk alarm, Day/Night switch alarm, Abnormal sound detection |
| Event Actions | Alarm record, Alarm output, FTP upload, SMTP upload, Audible alarm output |
| Network | |
| Protocols | IPv4/IPv6, HTTP/HTTPS, DNS, DDNS, DHCP, PPPoE, RTSP/ RTCP/RTP, TCP/UDP, NTP, ARP, UPnP, FTP, SMTP, QoS, ICMP, IGMP, SMTP, 802.1x, SNMP, Multicast |
| Interoperability | ONVIF (Profile S/T/G/M), SDK, CGI |
| Max Concurrent Streams | 10 channels |
| User/Host Level | 32+ users, 3 user levels: Administrator, Operator, Media user |
| Security | IP address filter, HTTPS, Illegal login lock, IEEE 802.1x |
| Web Viewer | <IE11, Chrome, Firefox, Microsoft Edge |
| Interface | |
| Network Interface | 1 Ethernet (10/100 Base-T) RJ-45 Connector |

| | |
|-----------------------|--|
| Built-in Microphone | Supported |
| Audio Interface | 1ch Input, 1ch Output |
| Alarm Interface | 1ch Input, 1ch Output |
| SD Card Slot | Built-in, up to 1 TB |
| Reset Button | Supported |
| General | |
| Language | English, Chinese, Traditional Chinese, Polish, Italian, Portuguese, Spanish, Russian, French, Czech, Hungarian, Japanese, Korean. Default: English |
| Power Supply | 12 VDC (-15% to +25%) / PoE (802.3af) |
| Power Consumption | Typical: 3.7 W (12 VDC) Max: 9.8 W (12 VDC, with light on) |
| Operating Temperature | -40°C to 55°C (-40°F to 131°F) |
| Operating Humidity | Less than 90% RH |
| Ingress Protection | IP66 |
| Certifications | CE-EMC - EN 55032, EN IEC 61000-6-3, EN IEC 61000-3-2, EN 61000-3-3, EN 55035, EN 50130-4 FCC 47 CFR Part 15 Subpart B |
| Material | Aluminum alloy |
| Dimensions | 303 × 100 × 107 mm (11.92 × 3.94 × 4.21 inch) |
| Net Weight | 1.25 kg (2.76 lb) |

Dimensions (mm)



Accessories

Optional:

| IK-AJ45G Junction Box | IK-AP27D Pole Mount | IK-AP01 Pole Mount | IK-ACR02 Corner Mount |
|---|---|--|---|
|  |  |  |  |

