



# IK-B4872FR-S-PZ

4MP Starlight IR Varifocal Bullet Network Camera

## Key Features

- 1/1.8" progressive scan CMOS
- Max. 4MP(2688×1520) @50/60 fps resolution
- 8 to 32 mm or 10 to 50 mm motorized lens optional
- Support face, human, vehicle detection and capture
- Intelligent analysis: intrusion, single / double line crossing, loitering, wrong-way detection, Illegal parking, smart motion detection (SMD), and people counting
- Built-in microphone and speaker
- 1/1 audio in/out, 1/2 alarm in/out, built-in SD card slot (up to 1 TB)
- Smart IR distance up to 120 m
- IP66, IK10

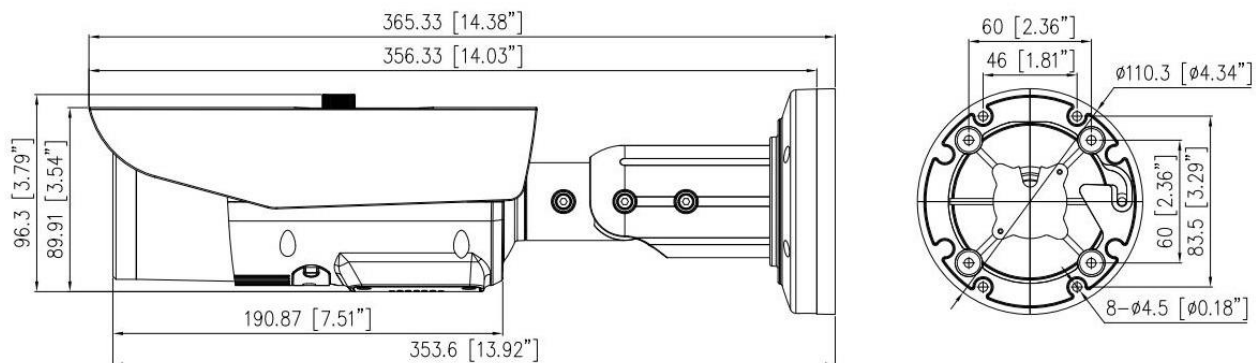
## Specification

Camera	
Image Sensor	1/1.8" Progressive Scan CMOS
Max. Resolution	4MP, 2688(H) × 1520(V)
Electronic Shutter	Auto/Manual, 1/5 to 1/100,000 s
Min. illumination	Color: 0.0025 Lux @ (F1.2, AGC ON), B/W: 0 Lux with IR
Day & Night	IR cut filter
Wide Dynamic Range	True WDR
Angle Adjustment	Pan: 0° to 360°, Tilt: 0° to 90°, Rotation: 0° to 360°
Lens	
Lens Type	Motorized lens, motorized focus
Iris	Auto Iris
Focal Length	8 to 32 mm, 10 to 50 mm optional
Max. Aperture	F1.6 / F1.3 to F1.4
Field of View (FOV)	8 to 32 mm - H: 41.1° to 14°, V: 23° to 7.9° 10 to 50 mm - H: 42.5° to 11.1°, V: 24.3° to 6.3°
DORI	
DORI Distance	8 to 32 mm: - Detect: 142 m to 402 m (465.88 ft to 1,318.90 ft) - Observe: 56.8 m to 160.8 m (186.35 ft to 527.31 ft) - Recognize: 28.4 m to 80.4 m (93.18 ft to 263.65 ft) - Identify: 14.2 m to 40.2 m (46.59 ft to 131.89 ft) 10 to 50 mm: - Detect: 147 m to 553 m (482.28 ft to 1,814.30 ft) - Observe: 58.8 m to 221.2 m (192.91 ft to 725.07 ft) - Recognize: 29.4 m to 110.6 m (96.46 ft to 362.86 ft) - Identify: 14.7 m to 55.3 m (48.23 ft to 181.45 ft)
DORI (Detect, Observe, Recognize, and Identify) is a standard system (EN-62676-4) for defining the ability of a person viewing the video to distinguish persons or objects within a covered area. The numbers in this table do not reflect intelligent function distances.	
Illuminator	
Supplement Light	IR
Light Control	Auto/Manual
Illumination Distance	8 to 32 mm - Up to 80 m (262.5 ft) 10 to 50 mm - Up to 120 m (393.7 ft)
IR wavelength	850nm

Intelligent Analytics	
Multi-Object Detection	Supports face, human, vehicle detection and capture. Supports multiple frame modes: Full Frame, Four-corner Frame, and Mosaic.
Intelligent Analysis	Intrusion, Single line crossing, Double line crossing, Loitering, Wrong-way detection, Illegal parking, and Smart motion detection Support alarm triggering by specified target types (human and vehicle)
People Counting	Supported
Video and Audio	
Streaming Capability	3 Streams
Stream/Frame Rate	Stream1: 2688×1520, 1920×1080, 1280×720 @50/60 fps Stream2: D1, VGA, CIF @ 25/30 fps Stream3: VGA, CIF, QVGA @ 25/30 fps
Bit Rate Control	CBR/VBR
Bit Rate	Stream1: 200 kbps to 16 Mbps Stream2: 100 kbps to 6 Mbps Stream3: 100 kbps to 3 Mbps
Region of Interest	Off/On (8 areas, Rectangle)
Smart Encode	Supported
Audio Compression	G.711 A-law, G.711 $\mu$ -law, RAW_PCM
Audio Bit Rate	64 Kbps (G.711), 128 Kbps (RAW_PCM)
Image	
Image Adjustment	Brightness, Sharpness, Contrast, Saturation adjustable
Scene Setting	Indoor, Outdoor, Mirror, Corridor Mode
Exposure Mode	Auto, Manual, Shutter priority
White Balance	Auto, Tungsten, Fluorescent, Daylight, Shadow, Manual
Day/Night Setting	Auto, Day, Night, Time
Noise Reduction	2D/3D DNR
Image Enhancement	HLC, BLC, Defog, WDR
Privacy Masking	4 areas
Event	
Alarm Triggers	IVS, Motion detection, Alarm input, Network alarm, Disk alarm, Day/Night switch alarm, Abnormal sound detection
Event Actions	Alarm record, Alarm output, Wiegand output, FTP upload, SMTP upload, Audible alarm output
Network	
Protocols	IPv4/IPv6, HTTP/HTTPS, DNS, DDNS, DHCP, PPPoE, RTSP/ RTCP/RTP, TCP/UDP, NTP, ARP, UPnP, FTP, SMTP, QoS, ICMP, IGMP, SMT, 802.1x, SNMP, Multicast
Interoperability	ONVIF (Profile S/T/G/M), SDK, CGI

Max Concurrent Streams	10 channels
User/Host Level	32+ users, 3 levels: Administrator, Operator, Media user
Security	IP address filter, HTTPS, Illegal login lock, IEEE 802.1x
Web Viewer	<IE11, Chrome, Firefox, Microsoft Edge
<b>Interface</b>	
Network Interface	1 Ethernet (10/100 Base-T) RJ-45 Connector
Built-in Microphone	Supported
Built-in Speaker	Supported
Audio Interface	1ch Input, 1ch Output
Alarm Interface	1ch Input, 2ch Output
RS-485	1 RS-485
Wiegand Interface	1 Wiegand (26-bit, SHA-1 26-bit, 34-bit, and NEWG 72-bit)
SD Card Slot	Built-in, up to 1 TB
Reset Button	Supported
<b>General</b>	
Language	English, Chinese, Traditional Chinese, Polish, Italian, Portuguese, Spanish, Russian, French, Czech, Hungarian, Japanese, Korean. Default: English
Power Supply	12 VDC (-15% to +25%) / PoE (802.3af)
Power Consumption	Max 13.2 W
Operating Temperature	-40°C to 60°C (-40°F to 140°F )
Operating Humidity	Less than 90% RH
Ingress Protection	IP66, IK10
Certifications	CE-EMC - EN 55032, EN IEC 61000-6-4, EN IEC 61000-3-2, EN 61000-3-3, EN 55035, EN 50130-4 FCC 47 CFR Part 15 Subpart B
Casing	Metal
Dimensions	φ110 × 356.3 mm (φ4.33 × 14.03 inch)
Net Weight	1.72 kg (3.79 lb)

## Dimensions (mm)



## Accessories

### Optional:

IK-AJ45G Junction Box	IK-AP27D Pole Mount	IK-AP01 Pole Mount	IK-ACR02 Corner Mount
			

