



IK-B4872FR-ST-PZ

4MP ANPR Bullet Network Camera

Key Features

- 1/1.8" progressive scan CMOS
- Max. 4MP(2688×1520) @50/60 fps resolution
- 8 to 32 mm, 10 to 50 mm motorized lens optional
- Supports license plate recognition and vehicle attribute recognition
- Max. recognition speed up to 120 km/h
- Supports up to 20,000 whitelist/blacklist entries and 20,000 captured snapshots
- True WDR, 3D DNR, ROI, Defog, HLC
- Supports Wiegand, connectable with access control system.
- Built-in mic and speaker, 1/1 audio in/out, 1/2 alarm in/out
- Built-in microSD card slot (up to 1 TB)
- Smart IR distance up to 120 m
- IP66, IK10

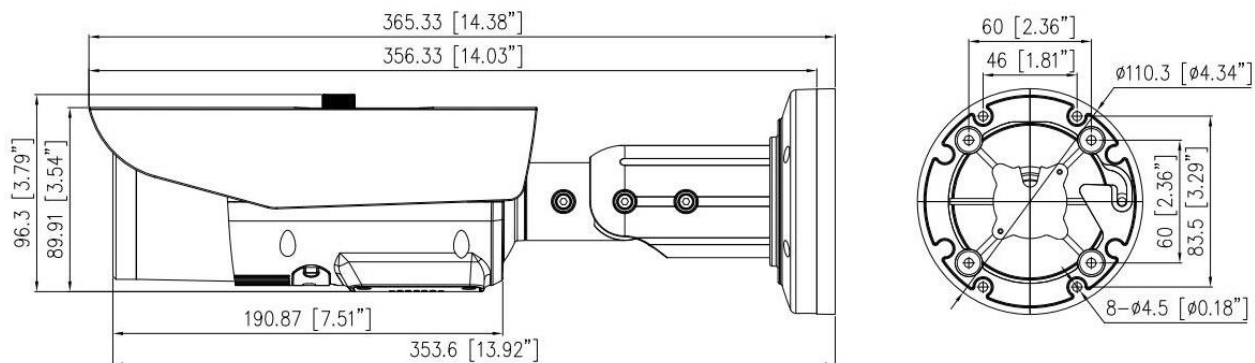
Specification

Camera	
Image Sensor	1/1.8" Progressive Scan CMOS
Max. Resolution	4MP, 2688(H) × 1520(V)
Electronic Shutter	Auto/Manual, 1/5 to 1/100,000 s
Min. illumination	Color: 0.0025 Lux @ (F1.2, AGC ON), B/W: 0 Lux with IR
Day & Night	IR cut filter
S/N Ratio	55dB
Wide Dynamic Range	True WDR
Angle Adjustment	Pan: 0° to 360°, Tilt: 0° to 90°, Rotation: 0° to 360°
Lens	
Lens Type	Motorized lens, motorized focus
Iris	Auto Iris
Focal Length	8 to 32 mm, 10 to 50 mm optional
Max. Aperture	F1.6 / F1.3 to F1.4
Field of View (FOV)	8 to 32 mm: - H: 41.1° to 14°, V: 23° to 7.9° 10 to 50 mm: - H: 42.5° to 11.1°, V: 24.3° to 6.3°
Illuminator	
Supplement Light	IR
Light Control	Auto/Manual
Illumination Distance	8 to 32 mm: - Up to 80 m (262.5 ft) 10 to 50 mm: - Up to 120 m (393.7 ft)
IR Wavelength	850 nm
LPR	
Smart Function	License plate recognition (LPR); Vehicle attribute recognition (type, color, direction)
Vehicle Type	Car, SUV, Van, Minivan, Pickup, Bus, Truck, MPV, Sports Car
Vehicle Color	Blue, Yellow, Black, White, Green, Red, Gray, Brown, Gold, Orange
Vehicle Direction	Front-facing, Rear-facing
LPR Detection Speed	Up to 120 km/h
LPR Region Support	Europe, United States, Philippines, China, Taiwan (China), Thailand, Vietnam, Brazil, Australia, Chile, Indonesia, Malaysia, Oman, Saudi Arabia, South Africa
White/Black List	Up to 20,000 records

EMMC Storage	Up to 20,000 images
LPR Smart Search	Supported
Intelligent Analytics	
Intelligent Analysis	Intrusion, Single line crossing, Double line crossing, Wrong-way detection, and Smart motion detection Support alarm triggering by specified target types (vehicle)
Video and Audio	
Streaming Capability	3 Streams
Stream/Frame Rate	Stream1: 2688×1520, 2560×1440, 2304×1296, 1920×1080, 1280×720 @50/60 fps Stream2: D1, VGA, CIF @ 25/30 fps Stream3: VGA, CIF, QVGA @ 25/30 fps
Bit Rate Control	CBR/VBR
Bit Rate	Stream1: 200 kbps to 16 Mbps Stream2: 100 kbps to 6 Mbps Stream3: 100 kbps to 3 Mbps
Region of Interest	Off/On (8 areas, Rectangle)
Smart Encode	Supported
Audio Compression	G.711 A-law, G.711 μ-law, RAW_PCM
Audio Bit Rate	64 Kbps (G.711), 128 Kbps (RAW_PCM)
Image	
Image Adjustment	Brightness, Sharpness, Contrast, Saturation adjustable
Scene Mode	Indoor, Outdoor, LPR, Mirror, Corridor mode
Exposure Mode	Auto, Manual, Shutter priority
White Balance	Auto, Tungsten, Fluorescent, Daylight, Shadow, Manual
Day/Night Setting	Auto, Day, Night, Timer
Noise Reduction	2D/3D DNR
Image Enhancement	HLC, BLC, Defog, WDR
Privacy Masking	4 areas
Event	
Alarm Triggers	IVS, Motion detection, Alarm input, Network alarm, Disk alarm, Day/Night switch alarm, Abnormal sound detection
Event Actions	Alarm record, Alarm output, Wiegand output, FTP upload, SMTP upload, Audible alarm output
Network	
Protocols	IPv4/IPv6, HTTP/HTTPS, DNS, DDNS, DHCP, PPPoE, RTSP/ RTCP/RTP, TCP/UDP, NTP, ARP, UPnP, FTP, SMTP, QoS, ICMP, IGMP, SMTP, 802.1x, SNMP, Multicast
Interoperability	ONVIF (Profile S/T/G/M), SDK, CGI
Max Concurrent Streams	10 channels
User/Host Level	32+ users, 3 levels: Administrator, Operator, Media user

Security	IP address filter, encrypted HTTPS, Illegal login lock, IEEE 802.1x
Web Viewer	<IE11, Chrome, Firefox, Microsoft Edge
Interface	
Network Interface	1 Ethernet (10/100 Base-T) RJ-45 Connector
Built-in Microphone	Supported
Built-in Speaker	Supported
Audio Interface	1ch Input, 1ch Output
Alarm Interface	1ch Input, 2ch Output
RS-485	1 RS-485
Wiegand Interface	1 Wiegand (26-bit, SHA-1 26-bit, 34-bit, and NEWG 72-bit)
SD Card Slot	Built-in, up to 1 TB
Reset Button	Supported
General	
Language	English, Chinese, Traditional Chinese, Polish, Italian, Portuguese, Spanish, Russian, French, Czech, Hungarian, Japanese, Korean. Default: English
Power Supply	12 VDC (-15% to +25%) / PoE (802.3af)
Power Consumption	Max 13.2 W
Operating Temperature	-40°C to 60°C (-40°F to 140°F)
Operating Humidity	Less than 90% RH
Ingress Protection	IP66, IK10
Certifications	CE-EMC - EN 55032, EN IEC 61000-6-4, EN IEC 61000-3-2, EN 61000-3-3, EN 55035, EN 50130-4 FCC 47 CFR Part 15 Subpart B
Casing	Metal
Dimensions	φ110 × 356.3 mm (φ4.33 × 14.03 inch)
Net Weight	Approx. 1.72 kg (3.79 lb)

Dimensions (mm)



Accessories

Optional:

IK-AJ45G Junction Box	IK-AP27D Pole Mount	IK-AP01 Pole Mount	IK-ACR02 Corner Mount
			

