



# IK-B5629FC-B

5MP 180° Panoramic Smart Dual Light  
Bullet Network Camera

## Key Features

- 1/2.7" progressive scan CMOS
- Max. 5MP(2880×1620) @25/30fps resolution
- Support human and vehicle detection and capture
- Intelligent analytics: Intrusion, smart motion detection, single line crossing, double line crossing, loitering, wrong-way detection, area people limit, illegal parking, perimeter detection, people counting, and heat map.
- Built-in red and blue strobe lights with audio-visual alarm linkage.
- Built-in IR and warm LEDs, illumination distance up to 25 m.
- Built-in Mic and speaker; support two-way audio.
- Alarm: 1ch in,1ch out; built-in SD card slot, up to 1 TB
- IP66

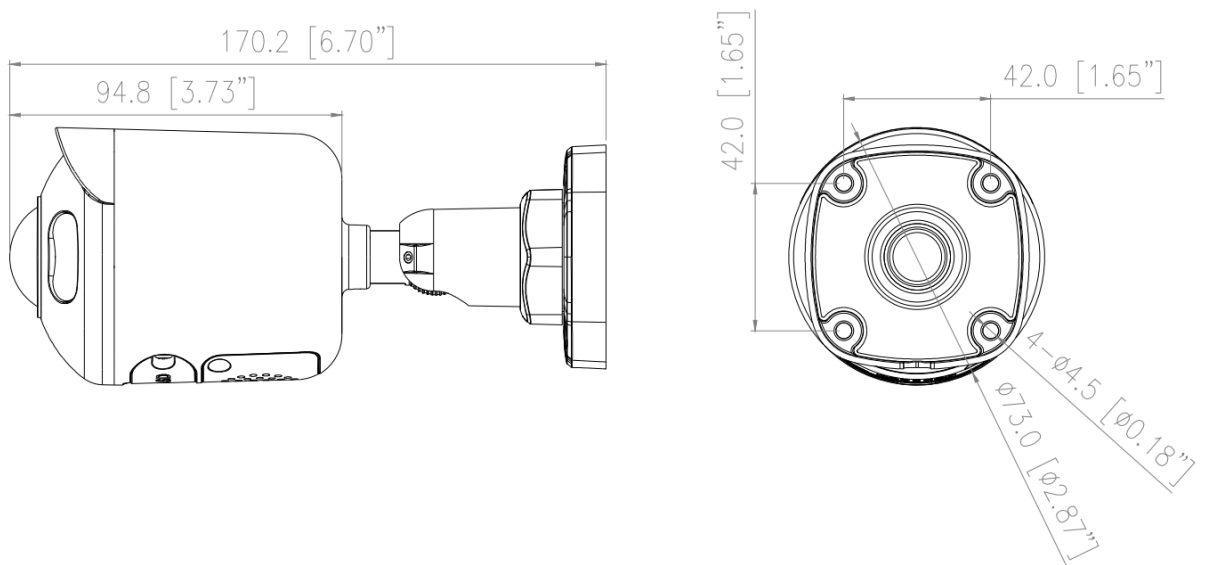
## Specification

Camera	
Image Sensor	1/2.7" Progressive Scan CMOS
Max. Resolution	5MP, 2880(H) × 1620(V)
Electronic Shutter	Auto/Manual, 1/5 to 1/20,000s
Min. illumination	Color: 0.01 Lux @ (F1.6, AGC ON), 0 Lux with light on
Day & Night	Auto (ICR)
Wide Dynamic Range	True WDR
Angle Adjustment	Pan: 0° to 360°, Tilt: 0° to 90°, Rotation: 0° to 360°
Lens	
Lens Type	Fixed-focal lens
Iris	Fixed Iris
Focal Length	1.6 mm
Max. Aperture	F2.0
Field of View (FOV)	H: 180°, V: 97°
DORI Distance	
Detect	32 m (105.0 ft)
Observe	12.8 m (42.0 ft)
Recognize	6.4 m (21.0 ft)
Identify	3.2 m (10.5 ft)
DORI (Detect, Observe, Recognize, and Identify) is a standard system (EN-62676-4) for defining the ability of a person viewing the video to distinguish persons or objects within a covered area. The numbers in this table do not reflect intelligent function distances.	
Illuminator	
Illuminator Type	IR, Warm Light
Illumination Distance	IR distance up to 25 m (80.02 ft) Warm light distance up to 25 m (80.02 ft)
Illumination Control	IR mode, White mode, Intelligent mode, None
IR Wavelength	850 nm
Intelligent Analytics	
Multi-Object Detection	Supports face, human, vehicle detection and capture. Supports multiple frame modes: Full Frame, Four-corner Frame, and Mosaic.
Intelligent Analysis	Intrusion, Smart motion detection, Single line crossing, Double line crossing, Loitering, Wrong-way detection, Area people limit, Illegal parking, and Perimeter detection. Supports alarm triggering by specified target types (human or vehicle).
People Counting	Supported

Heat Map	Supported
<b>Video and Audio</b>	
Streaming Capability	3 Streams
Stream/Frame Rate	Stream1: 2880×1620, 2304×1296, 1920×1080, 1280×720 @ 25/30fps Stream2: D1, VGA, 640×360, CIF @ 25/30fps Stream3: VGA, CIF, QVGA @25/30fps
Bit Rate Control	CBR/VBR
Bit Rate	Stream1: 200 kbps to 12 Mbps Stream2: 100 kbps to 6 Mbps Stream2: 100 kbps to 3 Mbps
Smart Encoder	Supported
Region of Interest (ROI)	Supported
Audio Compression	G.711 A-law, G.711 μ-law, RAW_PCM
Audio Bit Rate	64 Kbps (G.711), 128 Kbps (RAW_PCM)
<b>Image</b>	
Image Adjustment	Brightness, Sharpness, Contrast, Saturation adjustable
Scene Setting	Indoor, Outdoor, Mirror, Corridor Mode
Exposure Mode	Auto, Manual, Shutter priority
White Balance	Auto, Tungsten, Fluorescent, Daylight, Shadow, Manual
Day/Night Setting	Auto, Day, Night, Timer
Noise Reduction	2D/3D DNR
Image Enhancement	WDR, HLC, BLC, Defog
Privacy Masking	Off / On (4 Areas)
<b>Event</b>	
Alarm Triggers	IVS, Motion detection, Alarm input, Network alarm, Disk alarm, Day/Night switch alarm, Abnormal sound detection
Event Actions	Alarm record, Alarm output, FTP upload, SMTP upload, Audible alarm output, White light alarm output, Red and blue light alarm
<b>Network</b>	
Protocols	IPv4/IPv6, HTTP/HTTPS, DNS, DDNS, DHCP, PPPoE, RTSP/ RTCP/RTP, TCP/UDP, NTP, ARP, UPnP, FTP, SMTP, QoS, ICMP, IGMP, SMTP, 802.1x, SNMP, Multicast
Interoperability	ONVIF (Profile S/T/G/M), SDK, CGI
Max Concurrent Streams	10 channels
User/Host Level	32+ users, 3 levels: Administrator, Operator, Media user
Web Viewer	<IE11, Chrome, Firefox, Microsoft Edge
<b>Security</b>	
OS / Firmware Protect	Encrypted firmware, Signed firmware

User Authentication	Digest authentication, Prevent brute-force attack
Network Authentication	IEEE 802.1X(EAP-TLS)
Secure Communication	HTTPS, WSS(WebSocket Secure), SRTP
Access Control	IP-based access control, Auto logout
Data Protect	Encryption credentials
Audit	Access / System / Event Log management
Secure Storage	SDcard partition encrypt(AES-256), Secure element
Supply Chain Security	SBOM
<b>Interface</b>	
Network Interface	1 × Ethernet (10/100 Base-T), RJ-45 connector
Built-in Microphone	Supported
Built-in Speaker	Supported
Alarm Interface	1ch Input, 1ch Output
SD Card Slot	Built-in microSD card slot, up to 1 TB
Reset Button	Supported
<b>General</b>	
Language	English, Chinese, Traditional Chinese, Polish, Italian, Portuguese, Spanish, Russian, French, Czech, Hungarian, Japanese, Korean. Default: English
Power Supply	12 VDC (-15% to +25%) / PoE (802.3af)
Power Consumption	Typical: 1.8 W (12 VDC) / approx. 2.25 W (PoE) Max (with Light on + Speaker + Red/Blue Lights on): 9.4 W (12 VDC); approx. 11.75 W (PoE)
Operating Temperature	-30°C to 60°C (-22°F to 140°F )
Operating Humidity	Less than 90% RH
Ingress Protection	IP66
Certifications	CE-EMC - EN 55032, EN IEC 61000-6-4, EN IEC 61000-3-2, EN 61000-3-3, EN 55035, EN 50130-4 FCC 47 CFR Part 15 Subpart B
Material	Aluminum alloy + Plastic
Dimensions	Φ73 × 170.2 mm (Φ2.87 × 6.70 inch)
Net Weight	Approx. 540 g (1.19 lb)

## Dimensions (mm)



## Accessories

Optional:

IK-AJ56A Junction Box	IK-ACP27D Pole Mount
