

IK-NR916128-IR

128CH 16HDDs AI NVR



Key Features

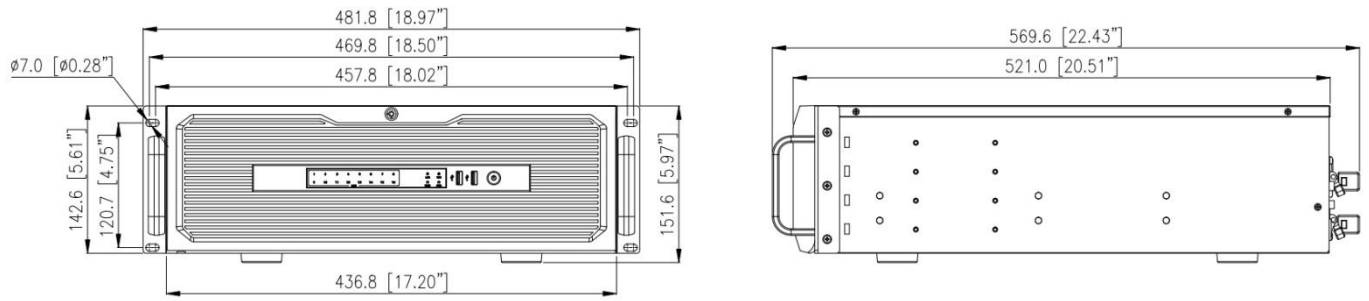
- Up to 128-ch IP camera access
- Up to 768 Mbps incoming/outgoing bandwidth
- Up to 48-ch @ 1080p decoding capacity
- Supports face recognition and multi-object recognition
- Supports specialist cameras, including people counting, ANPR, fisheye, panoramic, and thermal cameras
- Supports fisheye dewarping and VCA alarm linkage
- Up to 4-ch perimeter protection
- Supports 4 × HDMI and 1 × VGA interfaces
- Supports RAID 0/1/5/6/10, N+1 failover, and redundant power

Specification

Video Input	
IP Camera Input	128 Channel
Incoming Bandwidth	768 Mbps
Outgoing Bandwidth	768 Mbps
Video Output	
HDMI 1 Output	7680 × 4320, 3840 × 2160, 1920 × 1080, 1280 × 1024, 1024 × 768
HDMI 2 Output	3840 × 2160, 1920 × 1080, 1280 × 1024, 1024 × 768
HDMI 3 Output	3840 × 2160, 1920 × 1080, 1280 × 1024, 1024 × 768
HDMI 4 Output	3840 × 2160, 1920 × 1080, 1280 × 1024, 1024 × 768
VGA Output	1920 × 1080, 1280 × 1024, 1024 × 768
Different Source Output	Up to 4 channels
Decoding Capacity	Up to 48-ch 1080P
Dual Stream	Yes
Multi-screen Display	HDMI 1: 1 / 4 / 8 / 9 / 16 / 32 / 36 / 64 HDMI 2: 1 / 4 / 8 / 9 / 32 HDMI 3: 1 / 4 / 8 / 9 / 16 HDMI 4 / VGA: 1 / 4 / 8 / 9 / 16
AI Recognition	
Face Comparison	Real-time captured and display faces comparison results (stranger, channel, similarity)
Multi-objective	Real-time captured and display vehicle, human body, non-motor vehicle, license plates image
Smart Search	Time, Properties, Pictures, License plate
Trigger Events	Buzzer, Alarm push, Email, Alarm Out, Compare the result simultaneously, etc.
Recording	
Resolution	12MP, 8MP, 6MP, 5MP, 4MP, 3MP, 1080P, 720P, D1 etc.
Recording Mode	Manual, Schedule (Regular, Continuous), Event
Trigger Events	Motion Detection, Video Loss, Alarm in, IVS
Playback and Backup	
Sync Playback	16/9/4/1
Search Mode	Time /Date, Alarm, Picture grid, Event
Backup Mode	USB Device, Network, eSATA, NAS
Alarm	
General Alarm	Motion Detection, Video Loss, Alarm in, Alarm out
Intelligent Analysis (By Camera)	Smoking Detection, Smoke and Fire Detection, Fire Spot Detection, Intrusion, Single Line Crossing, Double Line Crossing, Loitering, Wrong-way, Illegal Parking, People Counting, Smart motion detection, Enter Area, Leave Area, etc.

Abnormal Alarm	Disk Alarm, IP Address Conflict, Network Disconnect
Intelligent Analysis (By NVR)	4-ch intrusion detection, support the accurate detection of human and vehicle
Event Action	Buzzer, Push message to APP, Full screen, Email, FTP, PTZ, Alarm output, Recording
Network	
Network Protocol	HTTP, HTTPS, TCP/IP, IPv4, IPv6, UPnP, UDP, RTSP, SMTP, NTP, DNS, DHCP, FTP, P2P, IP Address Filtering, DDNS, IEEE 802.1X, SNMP, 3G/4G, PPPoE
Remote Users	Up to 8 users
P2P	P2P, Web NAT
Interoperability	ONVIF, SDK, CGI
Security	IP Address Filtering, User Access Log, IEEE 802.1X, TLS, Signed Firmware, Secure Boot
Storage	
ANR	Supported
Disk Group	Supported
RAID	RAID 0, RAID 1, RAID 5, RAID 6, RAID 10
Interface	
HDD Interface	16 SATA interfaces, up to 16 TB per disk
Network Interface	2 × RJ-45, 10/100/1000/2500 Mbps self-adaptive Ethernet ports
eSATA	2 eSATA Interfaces
HDMI	4
VGA	1
Audio In/Out	1/1
Alarm In/Out	24/8
USB Interface	Front panel: 2 × USB 2.0; Rear panel: 2 × USB 3.0
RS-485 Interface	1
RS-232 Interface	1
Reset Button	On-board reset button
General	
Power Supply	100 to 240VAC, redundant power supply
Power Consumption	Max. 70W (without HDD)
Operating Conditions	-10 °C to 50 °C (14 °F to 122 °F)
Storage Conditions	Less than 90% RH
Certifications	CE/FCC
Dimensions (W × D × H)	Without rack ears: 436.8 × 521.0 × 151.6 mm (17.20 × 20.51 × 5.97 in) With rack ears: 481.8 × 569.6 × 151.6 mm (18.97 × 22.43 × 5.97 in)
Net Weight	Approx. 12.1 kg (26.7 lb) without HDD

Dimensions (mm)



Rear Panel

