



IK-T2515NS-B

2MP Smart Dual Light Turret Network Camera

Key Features

- 1/3" progressive scan CMOS
- Max. 2MP (1920 × 1080) @ 25/30fps resolution
- 2.8 mm fixed lens (4 mm optional)
- Supports human and vehicle detection
- Intelligent analytics: intrusion detection, single/double line crossing, loitering, wrong-way detection, illegal parking, smart motion detection, and people counting
- DWDR, 3D DNR, ROI, HLC, BLC, Defog
- Built-in IR and warm LEDs, illumination distance up to 30m
- Built-in microphone and microSD card slot (supports up to 1 TB)
- IP66 -rated protection

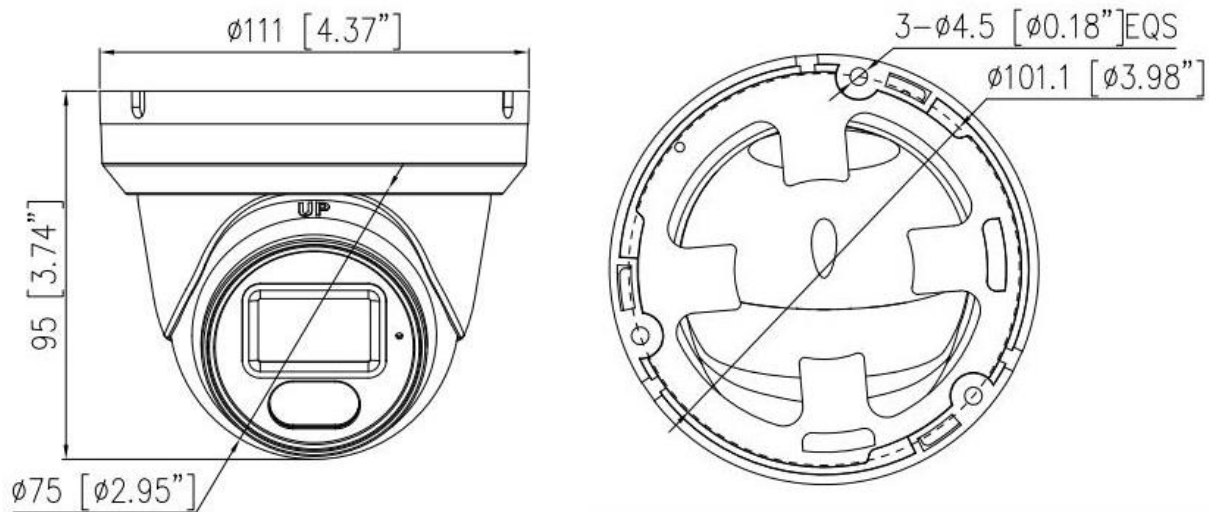
Specification

| Camera | | | | |
|--|---|------------------|-----------------|-----------------|
| Image Sensor | 1/3" Progressive Scan CMOS | | | |
| Max. Resolution | 2MP, 1920(H) × 1080(V) | | | |
| Electronic Shutter | Auto/Manual, 1/5 to 1/20,000s | | | |
| Min. illumination | Color: 0.01 Lux @ (F1.6, AGC ON), B/W: 0 Lux with light | | | |
| Day & Night | IR cut filter | | | |
| Wide Dynamic Range | DWDR | | | |
| Angle Adjustment | Pan: 0° to 360°, Tilt: 0° to 85°, Rotation: 0° to 360° | | | |
| Lens | | | | |
| Lens Type | Fixed lens, fixed focal | | | |
| Iris | Fixed Iris | | | |
| Focal Length | 2.8 mm (4 mm optional) | | | |
| Max. Aperture | F1.6 | | | |
| Field of View (FOV) | 2.8 mm, - H: 95.3°, V: 52.4° | | | |
| DORI Distance | | | | |
| Lens | Detect | Observe | Recognize | Identify |
| 2.8 mm | 46 m (150.9 ft) | 18.4 m (60.4 ft) | 9.2 m (30.2 ft) | 4.6 m (15.1 ft) |
| DORI (Detect, Observe, Recognize, and Identify) is a standard system (EN-62676-4) for defining the ability of a person viewing the video to distinguish persons or objects within a covered area. The numbers in this table do not reflect intelligent function distances. | | | | |
| Illuminator | | | | |
| Illuminator Type | IR, Warm light | | | |
| Illumination Distance | IR distance up to 30 m (98.4 ft) Warm light distance up to 20 m (65.6 ft) | | | |
| Illumination Control | IR mode, White mode, Intelligent mode, None | | | |
| IR wavelength | 850 nm | | | |
| Intelligent Analytics | | | | |
| Multi-Object Detection | Supports human/vehicle detection. Supports multiple frame modes: Full Frame, Four-corner Frame, and Mosaic. | | | |
| Intelligent Analysis | Intrusion, Single line crossing, Double line crossing, Loitering, Wrong-way, Illegal parking, and Smart motion detection. Support alarm triggering by specified target types (human and vehicle) | | | |
| People Counting | Supported | | | |

| Video and Audio | |
|------------------------|--|
| Streaming Capability | 3 Streams |
| Stream/Frame Rate | Stream1: 1920×1080, 1280×720 @25/30fps Stream2: D1, VGA, CIF @25/30fps Stream3: VGA, CIF, QVGA @25/30fps |
| Bit Rate Control | CBR/VBR |
| Bit Rate | Stream1: 200 Kbps to 12 Mbps Stream2: 100 Kbps to 6 Mbps Stream3: 100 Kbps to 3 Mbps |
| Region of Interest | Off/On (8 areas, Rectangle) |
| Smart Encode | Supported |
| Audio Compression | G.711 A-law, G.711 μ-law, RAW_PCM |
| Audio Bit Rate | 64 Kbps (G.711), 128 Kbps (RAW_PCM) |
| Image | |
| Image Adjustment | Brightness, Sharpness, Contrast, Saturation adjustable |
| Scene Mode | Indoor, Outdoor, Mirror, Corridor mode |
| Exposure Mode | Auto, Manual, Shutter priority |
| White Balance | Auto, Tungsten, Fluorescent, Daylight, Shadow, Manual |
| Day/Night Setting | Auto, Day, Night, Timer |
| Noise Reduction | 2D/3D DNR |
| Image Enhancement | HLC, BLC, Defog, WDR |
| Privacy Masking | 4 areas |
| Event | |
| Alarm Triggers | IVS, Motion detection, Network alarm, Disk alarm, Day/Night switch alarm, Abnormal sound detection |
| Event Actions | Alarm record, FTP upload, SMTP upload, White light alarm output |
| Network | |
| Protocols | IPv4/IPv6, RTSP/ RTCP/RTP, TCP/UDP, HTTP/HTTPS, DHCP, DNS, DDNS, PPPoE, UPnP, ICMP, IGMP, FTP, NTP, SMTP, 802.1x, SNMP |
| Interoperability | ONVIF (Profile S/T/G/M), SDK, CGI |
| Max Concurrent Streams | 4 channels |
| User/Host Level | Up to 32 users; 3 levels: Administrator, Operator, and Media User |
| Security | IP address filter, HTTPS, Illegal login lock, IEEE 802.1x |
| Web Viewer | <IE11, Chrome, Firefox, Microsoft Edge |

| Interface | |
|-----------------------|--|
| Network Interface | 1 × RJ45 10/100 Mbps Ethernet port |
| Built-in Microphone | Supported |
| SD Card Slot | Built-in, up to 1 TB |
| Reset Button | Supported |
| General | |
| Language | English, Chinese, Traditional Chinese, Polish, Italian, Portuguese, Spanish, Russian, French, Czech, Hungarian, Japanese, Korean. Default: English |
| Power Supply | 12 VDC (-15% to +25%)/PoE (802.3af) |
| Power Consumption | Typical: 1.5 W (12 VDC) / approx. 1.9 W (PoE) Max (IR on): 4.2 W (12 VDC) / approx. 5.3 W (PoE) |
| Operating Temperature | -25°C to 55°C (-13°F to 131°F) |
| Operating Humidity | Less than 90% RH |
| Ingress Protection | IP66 |
| Certifications | CE-EMC - EN 55032, EN IEC 61000-6-4, EN IEC 61000-3-2, EN 61000-3-3, EN 55035, EN 50130-4 FCC 47 CFR Part 15 Subpart B |
| Material | Aluminum alloy body + Plastic |
| Dimensions | φ111 × 95 mm (φ4.37 × 3.74 inch) |
| Net Weight | Approx. 380 g (0.84 lb) |

Dimensions (mm)



Accessories

Optional:

| IK-AJ46M Junction Box | IK-ACC03 Pendant Cap | IK-AC02 Ceiling Bracket | IK-AW01 Corner Mount |
|---|---|--|---|
|  |  |  |  |
| IK-AW02 Wall Mount | IK-AP01 Pole Mount | IK-ACR02 Corner Mount | |
|  |  |  | |

