



# IK-T5509NS(-S)-Z

5MP Smart Dual Light Turret Network Camera

## Key Features

- 1/3" progressive scan CMOS
- Max. 5MP (2560 × 1920) @25fps resolution
- 2.7 to 13.5 mm motorized varifocal lens
- Supports human and vehicle detection
- Intelligent analytics: intrusion, single / double line crossing, loitering, wrong-way detection, illegal parking, smart motion detection, and people counting
- DWDR, 3D DNR, ROI, HLC, BLC, Defog
- Built-in IR and warm LEDs, smart illumination distance up to 30m
- Built-in microphone (models with -S support built-in speaker)
- Built-in microSD card slot (supports up to 1 TB)
- IP66-rated protection

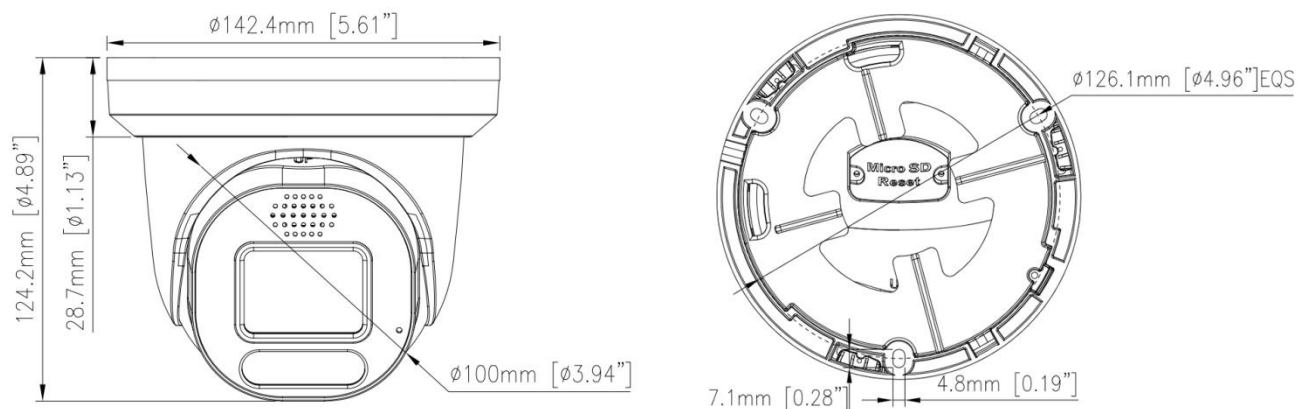
## Specification

Camera	
Image Sensor	1/3" Progressive Scan CMOS
Max. Resolution	5MP, 2560(H) × 1920(V)
Electronic Shutter	Auto/Manual, 1/5 to 1/20,000s
Min. illumination	Color: 0.01 Lux @ (F1.6, AGC ON), B/W: 0 Lux with light
Day & Night	IR cut filter
Wide Dynamic Range	DWDR
Angle Adjustment	Pan: 0° to 360°, Tilt: 0° to 90°, Rotation: 0° to 360°
Lens	
Lens Type	Varifocal lens, motorized focal
Iris	Fixed Iris
Focal Length	2.7 to 13.5 mm
Max. Aperture	F1.6
Field of View (FOV)	H: 90° to 29.8°, V: 48.3° to 16.8°
DORI Distance	
Detect	94 to 274 m (308.4 to 899.0 ft)
Observe	37.6 to 109.6 m (37.6 to 359.6 ft)
Recognize	18.8 to 54.8 m (61.7 to 179.8 ft)
Identify	9.4 to 27.4 m (30.8 to 89.9 ft)
DORI (Detect, Observe, Recognize, and Identify) is a standard system (EN-62676-4) for defining the ability of a person viewing the video to distinguish persons or objects within a covered area. The numbers in this table do not reflect intelligent function distances.	
Illuminator	
Illuminator Type	IR, Warm light
Illumination Distance	IR distance up to 30 m (98.4 ft) Warm light distance up to 20 m (65.6 ft)
Illumination On/Off Control	IR mode, White mode, Intelligent mode, None
IR wavelength	850nm
Intelligent Analytics	
Multi-Object Detection	Supports human/vehicle detection. Supports multiple frame modes: Full Frame, Four-corner Frame, and Mosaic.
Intelligent Analysis	Intrusion, Single line crossing, Double line crossing, Loitering, Wrong-way, Illegal parking, and Smart motion detection.

	Support alarm triggering by specified target types (human and vehicle)
People Counting	Supported
<b>Video and Audio</b>	
Streaming Capability	3 Streams
Stream/Frame Rate	Stream1: 2560×1920, 2560×1440, 2304×1296, 1920×1080, 1280×720 @25fps Stream2: D1, VGA, CIF @25fps Stream3: VGA, CIF, QVGA @25fps
Bit Rate Control	CBR/VBR
Bit Rate	Stream1: 200 Kbps to 12 Mbps Stream2: 100 Kbps to 6 Mbps Stream3: 100 Kbps to 3 Mbps
Region of Interest	Off/On (8 areas, Rectangle)
Smart Encode	Supported
Audio Compression	G.711 A-law, G.711 $\mu$ -law, RAW_PCM
Audio Bit Rate	64 Kbps (G.711), 128 Kbps (RAW_PCM)
<b>Image</b>	
Image Adjustment	Brightness, Sharpness, Contrast, Saturation adjustable
Scene Mode	Indoor, Outdoor, Mirror, Corridor mode
Exposure Mode	Auto, Manual, Shutter priority
White Balance	Auto, Tungsten, Fluorescent, Daylight, Shadow, Manual
Day/Night Setting	Auto, Day, Night, Timer
Noise Reduction	2D/3D DNR
Image Enhancement	HLC, BLC, Defog, WDR
Privacy Masking	4 areas
<b>Event</b>	
Alarm Triggers	IVS, Motion detection, Network alarm, Disk alarm, Day/Night switch alarm, Abnormal sound detection
Events Actions	Alarm record, FTP upload, SMTP upload, White light alarm output, Audible alarm output (supported in -S models).
<b>Network</b>	
Protocols	IPv4/IPv6, HTTP/HTTPS, DNS, DDNS, DHCP, PPPoE, RTSP/ RTCP/RTP, TCP/UDP, NTP, ARP, UPnP, FTP, SMTP, QoS, ICMP, IGMP, SMTP, 802.1x, SNMP, Multicast
Interoperability	ONVIF (Profile S/T/G/M), SDK, CGI
Max Concurrent Streams	4 channels
User/Host Level	Up to 32 users; 3 levels: Administrator, Operator, and Media User

Security	IP address filter, HTTPS, Illegal login lock, IEEE 802.1x
Web Viewer	<IE11, Chrome, Firefox, Microsoft Edge
<b>Interface</b>	
Network Interface	1 × RJ45 10/100 Mbps Ethernet port
Built-in Microphone	Supported
Built-in Speaker	Supported (in -S models)
SD Card Slot	Built-in, up to 1 TB
Reset Button	Supported
<b>General</b>	
Language	English, Chinese, Traditional Chinese, Polish, Italian, Portuguese, Spanish, Russian, French, Czech, Hungarian, Japanese, Korean. Default: English
Power Supply	12 VDC (-15% to +25%)/PoE (802.3af)
Power Consumption	Typical: 1.7 W (12 VDC) / approx. 2.2 W (PoE) Max (Light on + Focus): 4.5 W (12 VDC) / approx. 5.7 W (PoE) Max (Light on + Focus + Speaker): 6.1 W (12 VDC) / approx. 7.7 W (PoE)
Operating Temperature	-25°C to 55°C (-13°F to 131°F)
Operating Humidity	Less than 90% RH
Ingress Protection	IP66
Certifications	CE-EMC - EN 55032, EN IEC 61000-6-4, EN IEC 61000-3-2, EN 61000-3-3, EN 55035, EN 50130-4 FCC 47 CFR Part 15 Subpart B
Material	Aluminum alloy body
Dimensions	φ142.4 × 124.2 mm (φ5.61 × 4.89 inch)
Net Weight	Approx. 750 g (1.65 lb), with speaker

## Dimensions (mm)



## Accessories

Optional:

IK-AJ45D Junction Box	IK-ACC06 Pendant Cap	IK-AC02 Ceiling Bracket	IK-AW01 Corner Mount
			
IK-AW02 Wall Mount	IK-AP01 Pole Mount	IK-ACR02 Corner Mount	
			

