



# IK-T4813FW-B

4MP Full-color Fixed Turret Network Camera

## Key Features

- 1/1.8" STARVIS™ CMOS
- Max. 4MP(2560×1440) @25/30fps resolution
- Support face, human, vehicle detection and capture
- Intelligent analysis: intrusion, single / double line crossing, loitering, wrong-way detection, smart motion detection, and people counting
- True WDR, 3D DNR, ROI, Defog, HLC
- Built-in warm light, warm light distance up to 30m
- Built-in microphone, 1/1 audio input/output, 1/1 alarm input/output
- Built-in micro SD card slot
- IP66 protection

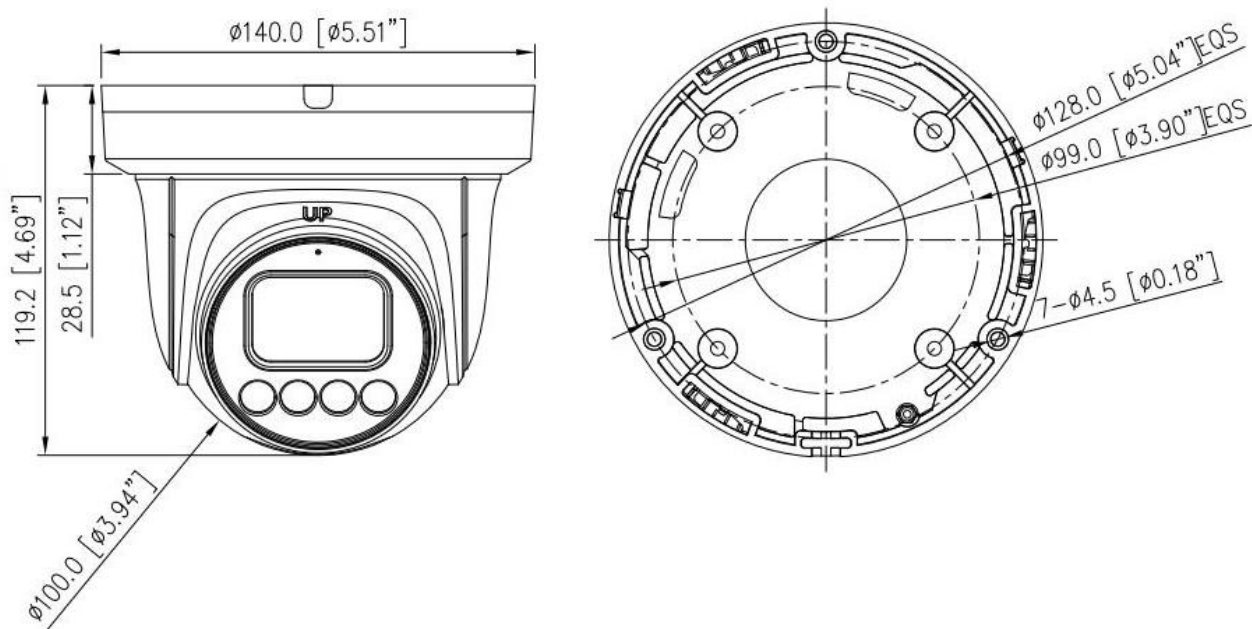
## Specification

Camera	
Image Sensor	1/1.8" Progressive Scan CMOS
Max. Resolution	4MP, 2560(H) × 1440(V)
Electronic Shutter	Auto/Manual, 1/5 to 1/20,000s
Min. illumination	Color: 0.0005 Lux @ (F1.0, AGC ON) , 0 Lux with light
Day & Night	Fixed filter
Wide Dynamic Range	True WDR
Angle Adjustment	Pan: 0° to 355°, Tilt: 0° to 80°, Rotation: 0° to 360°
Lens	
Lens Type	Fixed lens, Fixed focal
Iris	Fixed Iris
Focal Length	4 mm
Max. Aperture	F1.0
Field of View (FOV)	H: 94.3°, V: 50°
DORI Distance	
Detect	67 m (219.82 ft)
Observe	26.8 m (87.93 ft)
Recognize	13.4 m (43.97 ft)
Identify	6.7 m (21.98 ft)
DORI (Detect, Observe, Recognize, and Identify) is a standard system (EN-62676-4) for defining the ability of a person viewing the video to distinguish persons or objects within a covered area. The numbers in this table do not reflect intelligent function distances.	
Illuminator	
Illuminator Type	Warm light
Illumination Distance	Up to 30 m (98.4 ft)
Illumination On/Off Control	Auto/Manual
Intelligent Analytics	
Multi-Object Detection	Supports face, human, vehicle detection and capture.
Intelligent Analysis	Intrusion, Single line crossing, Double line crossing, Loitering, Wrong-way detection, and Smart motion detection Support alarm triggering by specified target types (human and vehicle)

People Counting	Supported
<b>Video and Audio</b>	
Streaming Capability	3 Streams
Stream/Frame Rate	Stream1: 2560×1440, 2304×1296, 1920×1080, 1280×720 @ 25/30fps Stream2: D1, VGA, CIF @ 25/30fps Stream3: VGA, CIF, QVGA @ 25/30fps
Bit Rate Control	CBR/VBR
Bit Rate	Stream1: 200 Kbps to 12 Mbps Stream2: 100 Kbps to 6 Mbps Stream3: 100 Kbps to 3 Mbps
Smart Encoder	Supported
Region of Interest (ROI)	Off/On (8 Zone, Rectangle)
Audio Compression	G.711 A-law, G.711 $\mu$ -law, RAW_PCM
Audio Bit Rate	64 Kbps (G.711), 128 Kbps (RAW_PCM)
<b>Image</b>	
Image Adjustment	Brightness, Sharpness, Contrast, Saturation adjustable
Scene Mode	Indoor, Outdoor, Mirror, Corridor mode
Exposure Mode	Auto, Manual, Shutter priority
White Balance	Auto, Tungsten, Fluorescent, Daylight, Shadow, Manual
Day/Night Setting	Auto, Day, Night, Time
Noise Reduction	2D/3D DNR
Image Enhancement	HLC, BLC, Defog, WDR
Privacy Masking	4 areas
<b>Event</b>	
Alarm Triggers	IVS, Motion detection, Alarm input, Network alarm, Disk alarm, Day/Night switch alarm, Abnormal sound detection
Event Actions	Alarm record, Alarm output, FTP upload, SMTP upload, Audible alarm output
<b>Network</b>	
Protocols	IPv4/IPv6, HTTP/HTTPS, DNS, DDNS, DHCP, PPPoE, RTSP/ RTCP/RTP, TCP/UDP, NTP, ARP, UPnP, FTP, SMTP, QoS, ICMP, IGMP, SMTP, 802.1x, SNMP, Multicast
Interoperability	ONVIF (Profile S/T/G/M), SDK, CGI
Max Concurrent Streams	10 channel
User/Host Level	32+ users, 3 levels: Administrator, Operator, Media user
Security	IP address filter, HTTPS, Illegal login lock, IEEE 802.1x

Web Viewer	<IE11, Chrome, Firefox, Microsoft Edge
<b>Interface</b>	
Network Interface	1 Ethernet (10/100 Base-T) RJ-45 Connector
Built-in Microphone	Supported
Audio Interface	1ch Input, 1ch Output
Alarm Interface	1ch Input, 1ch Output
SD Card Slot	Built-in, up to 256 GB
Reset Button	Supported
<b>General</b>	
Language	English, Chinese, Traditional Chinese, Polish, Italian, Portuguese, Spanish, Russian, French, Czech, Hungarian, Japanese, Korean. Default: English
Power Supply	12 VDC (-15% to +25%) / PoE (802.3af)
Power Consumption	Max 7 W
Operating Temperature	-40°C to 55°C (-40°F to 131°F )
Operating Humidity	Less than 90% RH
Ingress Protection	IP66
Certifications	CE-EMC - EN 55032, EN IEC 61000-6-3, EN IEC 61000-3-2, EN 61000-3-3, EN 55035, EN 50130-4 FCC 47 CFR Part 15 Subpart B
Material	Aluminum alloy body + plastic
Dimensions	φ140 × 119.2 mm (5.51 × 4.69 inch)
Net Weight	0.9 kg (1.98 lb)

## Dimensions (mm)



## Accessories

Optional:

IK-AJ45G Junction Box	IK-ACC06 Pendant Cap	IK-AC02 Ceiling Bracket	IK-AW01 Corner Mount
			
IK-AW02 Wall Mount	IK-AP01 Pole Mount	IK-ACR02 Corner Mount	
			

