



IK-B4816FS-B

4MP Smart Dual Light Bullet Network Camera

Key Features

- 1/1.8" progressive scan CMOS
- Max. 4MP(2560×1440) @25/30fps resolution
- 2.8 mm, 4 mm fixed lens optional
- Support face, human, vehicle detection and capture
- Intelligent analysis: intrusion, single / double line crossing, loitering, wrong-way detection, smart motion detection (SMD), and people counting
- True WDR, 3D DNR, ROI, Defog, HLC
- Built-in IR/warm lights, IR distance up to 40 m, warm light distance up to 30 m
- Built-in mic and speaker, 1/1 audio input/output, 1/1 alarm input/output
- Built-in micro SD card slot
- IP66 protection

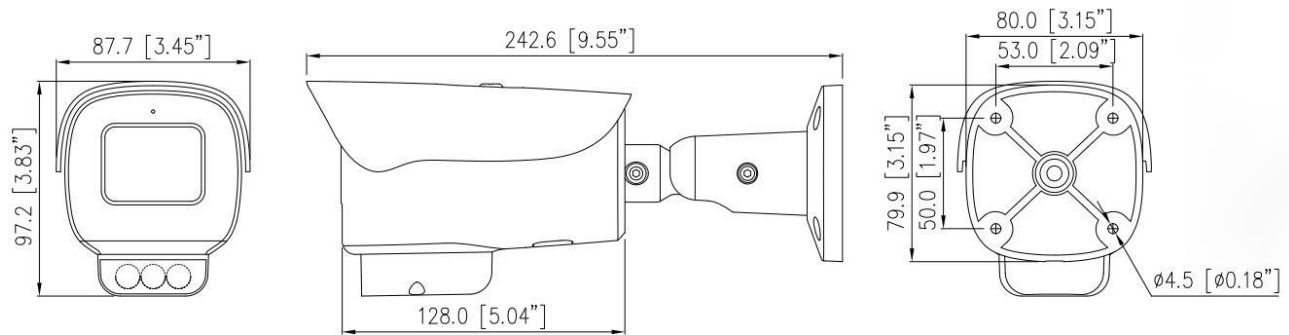
Specification

Camera				
Image Sensor	1/1.8" Progressive Scan CMOS			
Max. Resolution	4MP, 2560(H) × 1440(V)			
Electronic Shutter	Auto/Manual, 1/5 to 1/20,000s			
Min. illumination	Color: 0.001 Lux @ (F1.6, AGC ON) , 0 Lux with light			
Day & Night	Auto (ICR)			
Wide Dynamic Range	True WDR			
Angle Adjustment	Pan: 0° to 360°, Tilt: 0° to 90°, Rotation: 0° to 360°			
Lens				
Lens Type	Fixed lens, Fixed focal			
Iris	Fixed Iris			
Focal Length	2.8 mm, 4 mm optional			
Max. Aperture	F1.6			
Field of View (FOV)	2.8 mm: - H: 110.9°, V: 57.5° 4 mm: - H: 88.7°, V: 50.2°			
DORI Distance				
Lens	Detect	Observe	Recognize	Identify
2.8 mm	58 m (190.29 ft)	23.2 m (76.12 ft)	11.6 m (38.06 ft)	5.8 m (19.03 ft)
4 mm	70 m (229.66 ft)	28 m (91.86 ft)	14 m (45.93 ft)	7 m (22.97 ft)
DORI (Detect, Observe, Recognize, and Identify) is a standard system (EN-62676-4) for defining the ability of a person viewing the video to distinguish persons or objects within a covered area. The numbers in this table do not reflect intelligent function distances.				
Illuminator				
Illuminator Type	IR, Warm light			
Illumination Distance	IR distance up to 40 m (131.2 ft) Warm lights distance up to 30 m (98.4 ft)			
Illumination On/Off Control	Auto/Manual			
IR Wavelength	850 nm			
Intelligent Analytics				
Multi-Object Detection	Supports face, human, vehicle detection and capture.			

Intelligent Analysis	Intrusion, Single line crossing, Double line crossing, Loitering, Wrong-way detection, Illegal parking, and Smart motion detection Support alarm triggering by specified target types (human and vehicle)
People Counting	Supported
Video and Audio	
Streaming Capability	3 Streams
Stream/Frame Rate	Stream1: 2560×1440, 2304×1296, 1920×1080, 1280×720 @ 25/30fps Stream2: D1, VGA, CIF @ 25/30fps Stream3: VGA, CIF, QVGA @ 25/30fps
Bit Rate Control	CBR/VBR
Bit Rate	Stream1: 200 Kbps to 12 Mbps Stream2: 100 Kbps to 6 Mbps Stream3: 100 Kbps to 3 Mbps
Smart Encoder	Supported
Region of Interest (ROI)	Off/On (8 Zone, Rectangle)
Audio Compression	G.711 A-law, G.711 μ -law, RAW_PCM
Audio Bit Rate	64 Kbps (G.711), 128 Kbps (RAW_PCM)
Image	
Image Adjustment	Brightness, Sharpness, Contrast, Saturation adjustable
Scene Mode	Indoor, Outdoor, Mirror, Corridor mode
Exposure Mode	Auto, Manual, Shutter priority
White Balance	Auto, Tungsten, Fluorescent, Daylight, Shadow, Manual
Day/Night Setting	Auto, Day, Night, Timer
Noise Reduction	2D/3D DNR
Image Enhancement	HLC, BLC, Defog, WDR
Privacy Masking	4 areas
Event	
Alarm Triggers	IVS, Motion detection, Alarm input, Network alarm, Disk alarm, Day/Night switch alarm, Abnormal sound detection
Event Actions	Alarm record, Alarm output, FTP upload, SMTP upload, Audible alarm output
Network	
Protocols	IPv4/IPv6, HTTP/HTTPS, DNS, DDNS, DHCP, PPPoE, RTSP/ RTCP/RTP, TCP/UDP, NTP, ARP, UPnP, FTP, SMTP, QoS, ICMP, IGMP, SNMP, 802.1x, SNMP, Multicast
Interoperability	ONVIF (Profile S/T/G/M), SDK, CGI
Max Concurrent Streams	10 channels
User/Host Level	32+ users, 3 levels: Administrator, Operator, Media user

Security	IP address filter, HTTPS, Illegal login lock, IEEE 802.1x
Web Viewer	<IE11, Chrome, Firefox, Microsoft Edge
Interface	
Network Interface	1 Ethernet (10/100 Base-T) RJ-45 Connector
Built-in Microphone	Supported
Built-in Speaker	Supported
Audio Interface	1ch Input, 1ch Output
Alarm Interface	1ch Input, 1ch Output
SD Card Slot	Built-in, up to 256 GB
Reset Button	Supported
General	
Language	English, Chinese, Traditional Chinese, Polish, Italian, Portuguese, Spanish, Russian, French, Czech, Hungarian, Japanese, Korean. Default: English
Power Supply	12 VDC (-15% to +25%) / PoE (802.3af)
Power Consumption	Max 10.5 W
Operating Temperature	-40°C to 55°C (-40°F to 131°F)
Operating Humidity	Less than 90% RH
Ingress Protection	IP66
Certifications	CE-EMC - EN 55032, EN IEC 61000-6-3, EN IEC 61000-3-2, EN 61000-3-3, EN 55035, EN 50130-4 FCC 47 CFR Part 15 Subpart B
Material	Aluminum alloy + plastic
Dimensions	242.6 × 87.7 × 97.2 mm (9.55 × 3.45 × 3.83 inch)
Net Weight	Approx. 0.9 kg (1.98 lb)

Dimensions (mm)



Accessories

Optional:

IK-AJ56A Junction Box	IK-AP27D Pole Mount
	