



IK-T8803FR-Z

8MP IR Varifocal Turret Network Camera

Key Features

- 1/2.8" STARVIS™ CMOS
- Max. 8MP(3840 × 2160) @25/30 fps resolution
- 2.7 to 13.5 mm motorized lens
- True WDR, 3D DNR, ROI, HLC, BLC, Defog
- Support face, human, vehicle detection and capture
- Intelligent analytics: intrusion, single line crossing, double line crossing, loitering, wrong-way detection, smart motion detection, and people counting
- Smart IR distance up to 40 m
- Built-in microphone, 1/1 audio input/output, 1/1 alarm input/output
- Built-in micro SD card slot
- IP66 protection

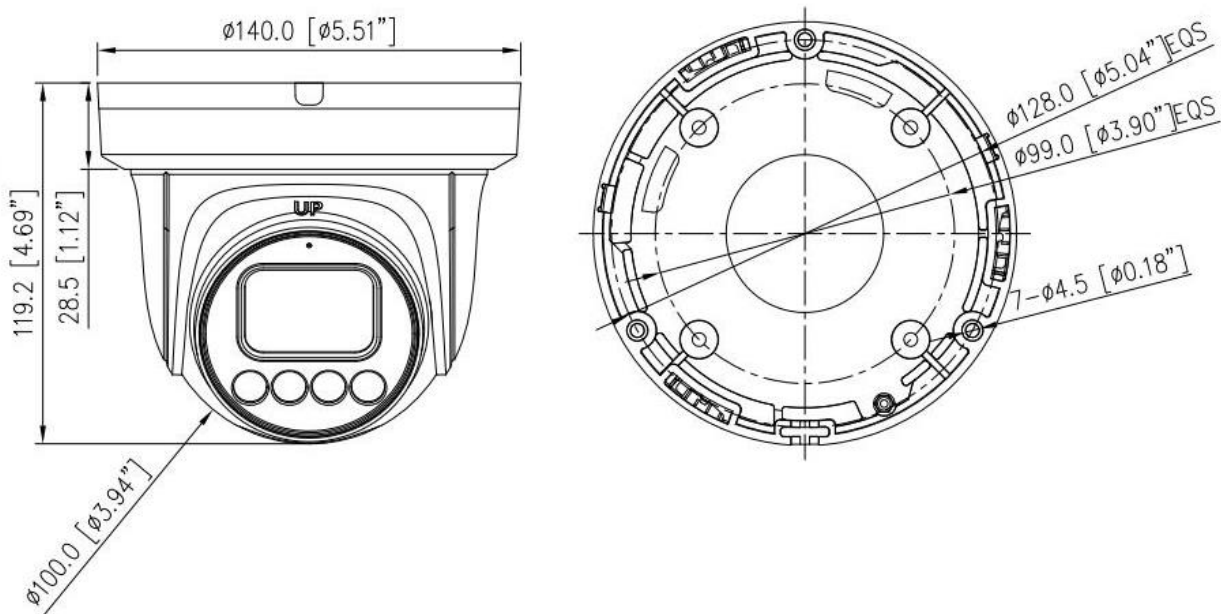
Specification

Camera	
Image Sensor	1/2.8" Progressive Scan CMOS
Max. Resolution	8MP, 3840(H) × 2160(V)
Electronic Shutter	Auto/Manual, 1/5 to 1/20,000 s
Min. illumination	Color: 0.01 Lux @ (F1.6, AGC ON), B/W: 0 Lux with IR
Day & Night	IR cut filter
Wide Dynamic Range	True WDR
Angle Adjustment	Pan: 0° to 355°, Tilt: 0° to 80°, Rotation: 0° to 360°
Lens	
Lens Type	Varifocal lens, Motorized focal
Iris	Fixed Iris
Focal Length	2.7 to 13.5 mm
Max. Aperture	F1.6
Field of View (FOV)	H: 102.7° to 30.2°, V: 53.8° to 16.8°
DORI Distance	
Detect	88 to 280 m (288.7 to 918.6 ft)
Observe	35.2 to 112 m (115.5 to 367.5 ft)
Recognize	17.6 to 56 m (57.7 to 183.7 ft)
Identify	8.8 to 28 m (28.9 to 91.9 ft)
DORI (Detect, Observe, Recognize, and Identify) is a standard system (EN-62676-4) for defining the ability of a person viewing the video to distinguish persons or objects within a covered area. The numbers in this table do not reflect intelligent function distances.	
Illuminator	
Illuminator Type	IR
Illumination Distance	Up to 40 m (131.2 ft)
Illumination On/Off Control	Auto/Manual
IR wavelength	850 nm
Intelligent Analytics	
Multi-Object Detection	Supports face, human, vehicle detection and capture. Supports multiple frame modes: Full Frame, Four-corner Frame, and Mosaic.
Intelligent Analysis	Intrusion, Single line crossing, Double line crossing, Loitering, Wrong-way detection, and Smart motion detection

	Support alarm triggering by specified target types (human and vehicle)
People Counting	Supported
Video and Audio	
Streaming Capability	3 Streams
Stream/Frame Rate	Stream1: 3840 × 2160, 2592 × 1944, 2592 × 1520, 2560 × 1440, 2304 × 1296, 1920 × 1080, 1280 × 720 @25/30 fps Stream2: D1, VGA, CIF @25/30 fps Stream3: VGA, CIF, QVGA @25/30 fps
Bit Rate Control	CBR/VBR
Bit Rate	Stream1: 200 kbps to 16 Mbps Stream2: 100 kbps to 6 Mbps Stream3: 100 kbps to 3 Mbps
Region of Interest	Off/On (8 areas, Rectangle)
Smart Encode	Supported
Audio Compression	G.711 A-law, G.711 μ-law, RAW_PCM
Audio Bit Rate	64 Kbps (G.711), 128 Kbps (RAW_PCM)
Image	
Image Adjustment	Brightness, Sharpness, Contrast, Saturation adjustable
Scene Setting	Indoor, Outdoor, Mirror, Corridor Mode
Exposure Mode	Auto, Manual, Shutter priority
White Balance	Auto, Tungsten, Fluorescent, Daylight, Shadow, Manual
Day/Night Setting	Auto, Day, Night, Timer
Noise Reduction	2D/3D DNR
Image Enhancement	WDR, HLC, BLC, Defog
Privacy Masking	4 areas
Event	
Alarm Triggers	IVS, Motion detection, Alarm input, Network alarm, Disk alarm, Day/Night switch alarm, Abnormal sound detection
Event Actions	Alarm record, SMTP upload, FTP upload, Alarm output, Audible alarm output
Network	
Protocols	IPv4/IPv6, HTTP/HTTPS, DNS, DDNS, DHCP, PPPoE, RTSP/ RTCP/RTP, TCP/UDP, NTP, ARP, UPnP, FTP, SMTP, QoS, ICMP, IGMP, SMTP, 802.1x, SNMP, Multicast
Interoperability	ONVIF (Profile S/T/G/M), SDK, CGI
Max Concurrent Streams	10 channels
User/Host Level	32+ users, 3 levels: Administrator, Operator, Media user

Security	IP address filter, HTTPS, Illegal login lock, IEEE 802.1x
Web Viewer	<IE11, Chrome, Firefox, Microsoft Edge
Interface	
Network Interface	1 Ethernet (10/100 Base-T) RJ-45 Connector
Built-in Microphone	Supported
Audio Interface	1ch Input, 1ch Output
Alarm Interface	1ch Input, 1ch Output
SD Card Slot	Built-in, up to 256GB
Reset Button	Supported
General	
Language	English, Chinese, Traditional Chinese, Polish, Italian, Portuguese, Spanish, Russian, French, Czech, Hungarian, Japanese, Korean. Default: English
Power Supply	12 VDC (-15% to +25%)/PoE (802.3af)
Power Consumption	Basic: Max 3.4 W (without light), Max. (Focus + WDR + Light on): 9 W
Operating Temperature	-40°C to 55°C (-40°F to 131°F)
Operating Humidity	Less than 90% RH
Ingress Protection	IP66
Certifications	CE-EMC - EN 55032, EN IEC 61000-6-3, EN IEC 61000-3-2, EN 61000-3-3, EN 55035, EN 50130-4 FCC 47 CFR Part 15 Subpart B
Material	Aluminum alloy body, Decoration ring: plastic
Dimensions	φ140 × 119.2 mm (5.51 × 4.69 inch)
Net Weight	0.9 kg (1.98 lb)

Dimensions (mm)



Accessories

Optional:

IK-AJ45G Junction Box	IK-ACC06 Pendant Cap	IK-AC02 Ceiling Bracket	IK-AW01 Corner Mount
			
IK-AW02 Wall Mount	IK-AP01 Pole Mount	IK-ACR02 Corner Mount	
			

