



IK-P4851FR-X30

7-inch 4MP 30x Starlight IR Network PTZ Camera

Key Features

- 1/2.8" STARVIS™ CMOS
- Max. 4MP (2592 × 1520) @ 25/30 fps, 30x optical zoom, 16x digital zoom
- Supports face, human and vehicle detection and capture
- Supports smoke and flame detection
- Intelligent analysis: intrusion, single line crossing, double line crossing, loitering, wrong-way, illegal parking, smart motion detection, and people counting
- Auto tracking and perimeter protection based on deep learning
- True WDR, 3D DNR, ICR, Defog and DIS
- Smart IR distance up to 200 m
- IP66, IK10

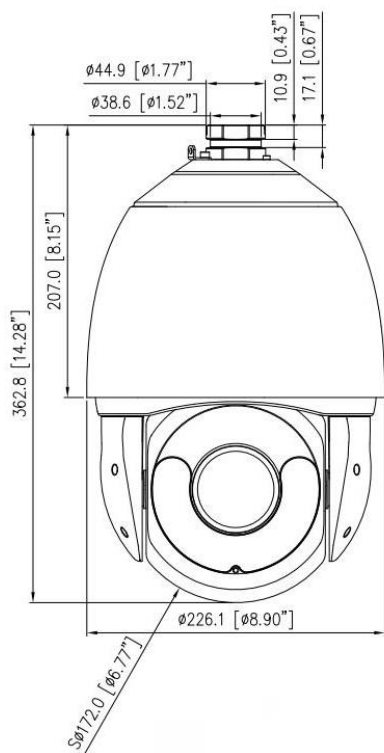
Specification

| Camera | |
|--|--|
| Image Sensor | 1/2.8" Progressive Scan CMOS |
| Max. Resolution | 4MP, 2592(H) × 1520(V) |
| Electronic Shutter | Auto/Manual, 1/5 to 1/100,000s |
| Min. illumination | Color: 0.005 Lux @ (F1.6, AGC ON), B/W: 0.001 Lux @ (F1.6, AGC ON), 0 Lux with IR on |
| Day & Night | Auto (ICR) |
| Wide Dynamic Range | True WDR |
| Lens | |
| Focal Length | 5.3 to 159 mm |
| Max. Aperture | F1.6 to F4.4 |
| Angle of View | H: 57.3° to 2.6°, V: 33.9° to 1.5° |
| Optical Zoom | 30x |
| Digital Zoom | 16x |
| Iris Control | Auto/Manual |
| Focus Control | Auto/Manual/Semi-automatic |
| DORI Distance | |
| Detection | 103 to 3,090 m (337.93 to 10,137.8 ft) |
| Observe | 41.2 to 1,236 m (135.17 to 4,055.1 ft) |
| Recognize | 20.6 to 618 m (67.59 to 2,027.6 ft) |
| Identify | 10.3 to 309 m (33.79 to 1,013.8 ft) |
| DORI (Detect, Observe, Recognize, and Identify) is a standard system (EN-62676-4) for defining the ability of a person viewing the video to distinguish persons or objects within a covered area. The numbers in this table do not reflect intelligent function distances. | |
| Illuminator | |
| Illuminator Type | IR |
| Illumination Distance | IR distance up to 200 m (656.2 ft) |
| Illumination On/Off Control | Auto/Manual |
| IR wavelength | 850 nm |
| Intelligent Analytics | |
| Multi-Object Detection | Support face, human, vehicle detection and capture Supports multiple frame modes: Full Frame, Four-corner Frame, and Mosaic. |
| Smoke and Flame Detection | Support |
| Intelligent Analysis | Intrusion, Single line crossing, Double line crossing, Loitering, Wrong-way detection, Illegal parking, and Smart motion detection |

| | |
|--------------------------|---|
| | (support the accurate detection of vehicle and human) |
| People Counting | Support |
| Smart Tracking | Support |
| PTZ | |
| Pan/Tilt Range | Pan: 0° to 360° endless, Tilt: -10° to +90° (auto-flip) |
| Pan Speed | Pan speed: 0.1° to 300°/s, preset speed: 300°/s |
| Tilt Speed | Tilt speed: 0.1° to 300°/s, preset speed: 300°/s |
| Presets | 400 |
| Patrol Scan | 6 Track, 12 Scan, 12 Patrol (up to 32 presets each patrol) |
| Power-Off Memory | Support |
| 3D Positioning | Support |
| PTZ Status Display | Support |
| Idle Motion | The time can be set (1-240 minutes), and functions such as preset positions, patrols, scans, and tracks can be run. |
| Video and Audio | |
| Streaming Capability | 3 Streams |
| Stream/Frame Rate | Stream1: 2592×1520, 2560×1440, 2304×1296, 1920×1080, 1280×720 @25/30fps Stream2: D1, VGA, CIF @25/30fps Stream3: VGA, CIF, QVGA @25/30fps |
| Bit Rate Control | CBR/VBR |
| Bit Rate | Stream1: 200 kbps to 12 Mbps Stream2: 100 kbps to 6 Mbps Stream3: 100 kbps to 3 Mbps |
| Smart Encoder | Support |
| Region of Interest (ROI) | Support |
| Audio Compression | G.711 A-law, G.711 μ-law, RAW_PCM |
| Audio Bit Rate | 64 kbps (G.711), 128 kbps (RAW_PCM) |
| Image | |
| Image Adjustment | Brightness, Sharpness, Contrast, Saturation adjustable |
| Scene Mode | Indoor, Outdoor, Mirror |
| Exposure Mode | Auto, Manual, Shutter priority, Iris priority |
| White Balance | Auto, Tungsten, Fluorescent, Daylight, Shadow, Manual |
| Day/Night Setting | Auto, Day, Night, Timer |
| Noise Reduction | 2D/3D DNR |
| Image Enhancement | HLC, BLC, Defog, WDR, Anti-shake |

| | |
|------------------------|--|
| Privacy Masking | Support 40 zones, mask color configurable |
| Event | |
| Alarm Triggers | IVS, Motion detection, Alarm input, Network alarm, Disk alarm, Day/Night switch alarm, Abnormal sound detection |
| Event Actions | Alarm record, Alarm output, FTP upload, SMTP upload, Audible alarm output |
| Network | |
| Protocols | IPv4/IPv6, HTTP/HTTPS, DNS, DDNS, DHCP, PPPoE, RTSP/ RTCP/RTP, TCP/UDP, NTP, ARP, UPnP, FTP, SMTP, QoS, ICMP, IGMP, SMTP, 802.1x, SNMP, Multicast |
| Interoperability | ONVIF (Profile S/T/G/M), SDK, CGI |
| Max Concurrent Streams | 10 channels |
| User/Host Level | 32+ users, 3 levels: Administrator, Operator, Media user |
| Security | IP address filter, HTTPS, Illegal login lock, IEEE 802.1x |
| Web Viewer | <IE11, Chrome, Firefox, Microsoft Edge |
| Interface | |
| Network Interface | 1 Ethernet (10/100 Base-T) RJ-45 Connector |
| Audio Interface | 1ch Input, 1ch Output |
| Alarm Interface | 7ch Input, 2ch Output |
| RS-485 | Support |
| BNC Interface | 1 BNC (CVBS output) |
| SD Card Slot | Built-in, up to 1 TB |
| General | |
| Language | English, Chinese, Traditional Chinese, Polish, Italian, Portuguese, Spanish, Russian, French, Czech, Hungarian, Japanese, Korean. Default: English |
| Power Supply | 24 VAC / 36 VDC / PoE++ (802.3bt), Standard Equipped: 36VDC |
| Power Consumption | Less than 45 W |
| Operating Temperature | -40°C to 60°C (-40°F to 140 °F) |
| Operating Humidity | Less than 90% RH |
| Ingress Protection | IP66, IK10 |
| Certifications | CE-EMC - EN 55032, EN IEC 61000-6-3, EN IEC 61000-3-2, EN 61000-3-3, EN 55035, EN 50130-4 CE-LVD - EN IEC 62368-1 FCC 47 CFR Part 15 Subpart B |
| Material | Metal |
| Dimensions | φ226.1 × 362.8 mm (φ8.9 × 14.28 inch) |
| Net Weight | 5.5 kg (12.13 lb) |

Dimensions (mm)



Accessories

Included:



Optional:

| IK-AC348A Ceiling Bracket | IK-ACR605 Corner Mount | IK-AP604B Pole Mount | IK-AJ367 Junction Box | IK-ACR358 Corner Mount | IK-AP359 Pole Mount |
|---|---|---|---|---|---|
|  |  |  |  |  |  |

