



IK-T5702FC-B

5MP Smart Dual Light Active Deterrence Turret Network Camera

Key Features

- 1/2.7" progressive scan CMOS
- Max. 5MP(2880×1620) @25/30fps resolution
- True WDR, 3D DNR, ROI, HLC, BLC, Defog
- Support face, human, vehicle detection and capture
- Intelligent analytics: intrusion, single line crossing, double line crossing, loitering, wrong-way, illegal parking, people counting and smart motion detection
- Supports red and blue lights alarm linkage to warn intruders
- Built-in IR LED and warm lights, illumination distance up to 30m
- Built-in MIC, 1/1 audio in/out, 1/1 alarm in/out
- Built-in SD card slot, up to 1TB Micro SD card
- IP66 protection

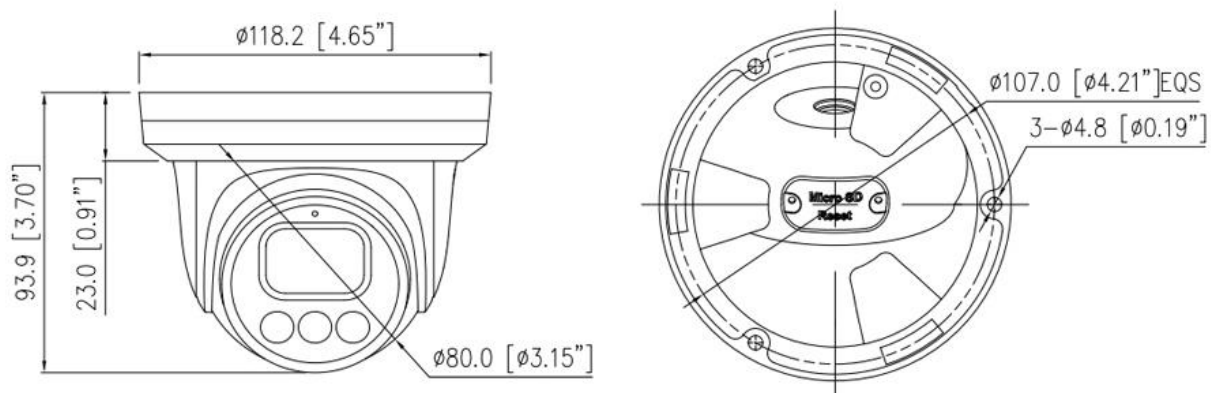
Specification

Camera				
Image Sensor	1/2.7" Progressive Scan CMOS			
Max. Resolution	5MP, 2880(H) × 1620(V)			
Electronic Shutter	Auto/Manual, 1/5 to 1/20,000s			
Min. illumination	Color: 0.01 Lux @ (F1.6, AGC ON), B/W: 0 Lux with light on			
Day & Night	IR cut filter			
Wide Dynamic Range	True WDR			
Angle Adjustment	Pan: 0° to 355°, Tilt: 0° to 80°, Rotation: 0° to 360°			
Lens				
Lens Type	Fixed focal			
Iris	Fixed Iris			
Focal Length	2.8 mm, 4 mm			
Max. Aperture	F1.6			
Field of View (FOV)	2.8 mm - H: 110.9°, V: 60° 4 mm - H: 91.8°, V: 46.3°			
DORI Distance				
Lens	Detect	Observe	Recognize	Identify
2.8 mm	64 m (210 ft)	25.6 m (84 ft)	12.8 m (42 ft)	6.4 m (21 ft)
4 mm	96 m (315 ft)	38.4 m (126 ft)	19.2 m (63 ft)	9.6 m (31.5 ft)
DORI (Detect, Observe, Recognize, and Identify) is a standard system (EN-62676-4) for defining the ability of a person viewing the video to distinguish persons or objects within a covered area. The numbers in this table do not reflect intelligent function distances.				
Illuminator				
Illuminator Type	IR, Warm light			
Illumination Distance	IR distance up to 30 m (98.4 ft) Warm light distance up to 20 m (65.6 ft)			
Illumination On/Off Control	Auto/Manual			
IR Wavelength	850 nm			
Intelligent Analytics				
Multi-Object Detection	Supports face, human, vehicle detection and capture			
Intelligent Analysis	Intrusion, Single line crossing, Double line crossing, Loitering, Wrong-way, Illegal parking, and Smart motion detection			

	Support alarm triggering by specified target types (human and vehicle)
People Counting	Supported
Video and Audio	
Streaming Capability	3 Streams
Stream/Frame Rate	Stream1: 2880×1620, 2560×1440, 2304×1296, 1920×1080, 1280×720 @ 25/30fps Stream2: D1, VGA, CIF @ 25/30fps Stream3: VGA, CIF, QVGA @25/30fps
Bit Rate Control	CBR/VBR
Bit Rate	Stream1: 200 Kbps to 12 Mbps Stream2: 100 Kbps to 6 Mbps Stream3: 100 Kbps to 3 Mbps
Region of Interest	Off/On (8 areas, Rectangle)
Smart Encode	Supported
Audio Compression	G.711 A-law, G.711 μ -law, RAW_PCM
Audio Bit Rate	64 Kbps (G.711), 128 Kbps (RAW_PCM)
Image	
Image Adjustment	Brightness, Sharpness, Contrast, Saturation adjustable
Scene Setting	Indoor, Outdoor, Mirror, Corridor Mode
Exposure Mode	Auto, Manual, Shutter priority
White Balance	Auto, Tungsten, Fluorescent, Daylight, Shadow, Manual
Day/Night Setting	Auto, Day, Night, Timer
Noise Reduction	2D/3D DNR
Image Enhancement	WDR, HLC, BLC, Defog
Privacy Masking	4 areas
Event	
Alarm Triggers	IVS, Motion detection, Alarm input, Network alarm, Disk alarm, Day/Night switch alarm, Abnormal sound detection
Event Actions	Alarm record, Alarm output, FTP upload, SMTP upload, Audible alarm output, White light alarm output, Red and blue light alarm
Network	
Protocols	IPv4/IPv6, HTTP/HTTPS, DNS, DDNS, DHCP, PPPoE, RTSP/ RTCP/RTP, TCP/UDP, NTP, ARP, UPnP, FTP, SMTP, QoS, ICMP, IGMP, SMTP, 802.1x, SNMP, Multicast
Interoperability	ONVIF (Profile S/T/G/M), SDK, CGI
Max Concurrent Streams	10 channels
User/Host Level	32+ users, 3 levels: Administrator, Operator, Media user

Security	IP address filter, HTTPS, Illegal login lock, IEEE 802.1x
Web Viewer	<IE11, Chrome, Firefox, Microsoft Edge
Interface	
Network Interface	1 Ethernet (10/100 Base-T) RJ-45 Connector
Built-in Microphone	Supported
Audio Interface	1ch Input, 1ch Output
Alarm Interface	1ch Input, 1ch Output
SD Card Slot	Built-in, up to 1 TB
Reset Button	Supported
General	
Language	English, Chinese, Traditional Chinese, Polish, Italian, Portuguese, Spanish, Russian, French, Czech, Hungarian, Japanese, Korean. Default: English
Power Supply	12 VDC (-15% to +25%) / PoE (802.3af)
Power Consumption	Typical: 2 W (12 VDC); approx. 2.5 W (PoE) Max (with IR or Warm Light + Red/Blue Lights on): 4.6 W (12 VDC); approx. 5.75 W (PoE)
Operating Temperature	-30°C to 60°C (-22°F to 140°F)
Operating Humidity	Less than 90% RH
Ingress Protection	IP66
Certifications	CE-EMC - EN 55032, EN IEC 61000-6-3, EN IEC 61000-3-2, EN 61000-3-3, EN 55035, EN 50130-4 FCC 47 CFR Part 15 Subpart B
Material	Aluminum alloy body, Decoration ring: ABS
Dimensions	φ118.2 × 93.9 mm (φ4.65 × 3.7 inch)
Net Weight	0.54 kg (1.19 lb)

Dimensions (mm)



Accessories

Optional:

<p>IK-AJ46M Junction Box</p>	<p>IK-ACC03 Pendant Cap</p>	<p>IK-AC02 Ceiling Bracket</p>	<p>IK-AW01 Corner Mount</p>
			
<p>IK-AW02 Wall Mount</p>	<p>IK-AP01 Pole Mount</p>	<p>IK-ACR02 Corner Mount</p>	
			

