



IK-A12801F-F

12MP ABF Box Network Camera

Key Features

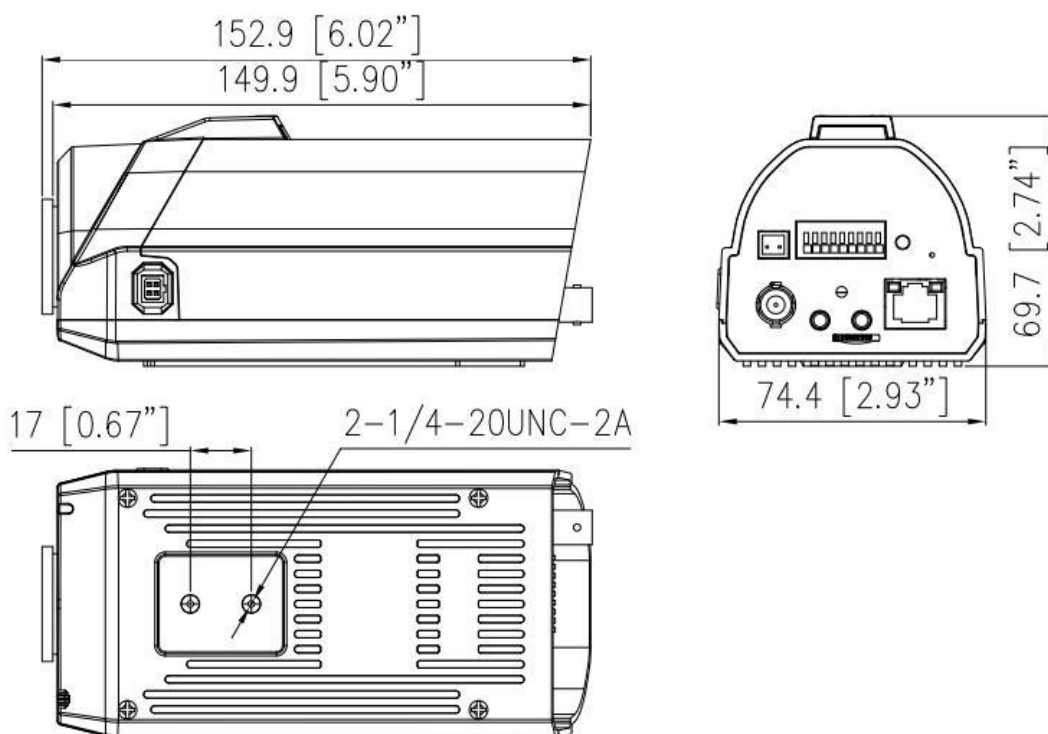
- 1/1.7" STARVIS™ CMOS
- Max. 12MP(4000×3000) @25/30fps resolution
- Support face, human, vehicle detection and capture
- Intelligent analysis: intrusion, single / double line crossing, loitering, wrong-way, Illegal parking, smart motion detection (SMD), and people counting
- DWDR, 3D DNR, ROI, Defog, HLC
- Built-in mic, 1/1 audio input/output, 1/1 alarm input/output
- Built-in micro SD card slot (up to 1 TB)
- Support auto back focus (ABF)
- Supports 12 VDC / 24 VAC / PoE power supply

Specification

Camera	
Image Sensor	1/1.7" Progressive Scan CMOS
Max. Resolution	12MP, 4000(H) × 3000(V)
Electronic Shutter	Auto/Manual, 1/5 to 1/50,000s
Min. illumination	Color: 0.001 Lux @ (F1.2, AGC ON) , B/W: 0.0005 @ (F1.2, AGC ON)
Day & Night	Auto (ICR)
Wide Dynamic Range	DWDR
Lens	
Lens Mount	C/CS mount
Iris Type	Fixed Iris, DC-IRIS
Intelligent Analytics	
Multi-Object Detection	Supports face, human, vehicle detection and capture. Supports multiple frame modes: Full Frame, Four-corner Frame, and Mosaic.
Intelligent Analysis	Intrusion, Single line crossing, Double line crossing, Loitering, Wrong-way detection, Illegal parking, and Smart motion detection Support alarm triggering by specified target types (human and vehicle)
People Counting	Supported
Video and Audio	
Streaming Capability	3 Streams
Stream/Frame Rate	Stream1: 4000×3000, 2592×1944, 1280×960 @25/30fps Stream2: D1, VGA, CIF @25/30fps Stream3: VGA, CIF, QVGA @25/30fps
Bit Rate Control	CBR/VBR
Bit Rate	Stream1: 200 Kbps to 16 Mbps Stream2: 100 Kbps to 6 Mbps Stream3: 100 Kbps to 3 Mbps
Smart Encoder	Supported
Region of Interest (ROI)	Off/On (8 Zone, Rectangle)
Audio Compression	G.711 A-law, G.711 μ-law, RAW_PCM
Audio Bit Rate	64 Kbps (G.711), 128 Kbps (RAW_PCM)
Image	
Image Adjustment	Brightness, Sharpness, Contrast, Saturation adjustable
Scene Mode	Indoor, Outdoor, Mirror, Corridor mode
Exposure Mode	Auto, Manual, Shutter priority
White Balance	Auto, Tungsten, Fluorescent, Daylight, Shadow, Manual
Day/Night Setting	Auto, Day, Night, Time
Noise Reduction	2D/3D DNR

Image Enhancement	HLC, BLC, Defog, WDR
Privacy Masking	4 areas
Event	
Alarm Triggers	IVS, Motion detection, Alarm input, Network alarm, Disk alarm, Day/Night switch alarm, Abnormal sound detection
Events Actions	Alarm record, Alarm output, FTP upload, SMTP upload, Audible alarm output
Network	
Protocols	IPv4/IPv6, HTTP/HTTPS, DNS, DDNS, DHCP, PPPoE, RTSP/ RTCP/RTP, TCP/UDP, NTP, ARP, UPnP, FTP, SMTP, QoS, ICMP, IGMP, SMTP, 802.1x, SNMP, Multicast
Interoperability	ONVIF (Profile S/T/G/M), SDK, CGI
Max Concurrent Streams	10 channels
User/Host Level	32+ users, 3 levels: Administrator, Operator, Media user
Security	IP address filter, HTTPS, Illegal login lock, IEEE 802.1x
Web Viewer	<IE11, Chrome, Firefox, Microsoft Edge
Interface	
Network Interface	1 RJ45 10 M/100 M self-adaptive Ethernet port
Built-in Microphone	Supported
Audio Interface	1ch input (line in), 1ch output (line out)
Alarm Interface	1ch input, 1ch output
RS-485	1 RS-485
BNC Interface	1ch (CVBS output)
SD Card Slot	Built-in, up to 1 TB
Reset Button	Supported
General	
Language	English, Chinese, Traditional Chinese, Polish, Italian, Portuguese, Spanish, Russian, French, Czech, Hungarian, Japanese, Korean. Default: English
Power Supply	12 VDC / 24 VAC (-10% to +25%) / PoE (802.3af)
Power Consumption	Typical: 4 W (12 VDC) / approx. 5.8 W (PoE) Max (Focusing): 6.4 W (12 VDC) / approx. 8.2 W (PoE)
Operating Temperature	-30°C to 60°C (-22°F to 140°F)
Operating Humidity	Less than 90% RH
Ingress Protection	N/A
Certifications	CE-EMC - EN 55032, EN IEC 61000-6-4, EN IEC 61000-3-2, EN 61000-3-3, EN 55035, EN 50130-4 FCC 47 CFR Part 15 Subpart B
Material	Aluminum alloy
Dimensions	152.9 × 74.4 × 69.7 mm (6.02 × 2.93 × 2.74 inch)
Net Weight	0.4 kg (0.88 lb)

Dimensions (mm)



Accessories

Optional:

IK-AH515 Housing	IK-AW385 Wall Mount
	

