

# IK-B4817FW-B

4MP Full Color Bullet Network Camera



## Key Features

- 1/1.8" progressive scan CMOS
- Max. 25/30fps @ 4MP(2560×1440) resolution
- Supports face, human, and vehicle detection & capture.
- Intelligent analytics: Intrusion, smart motion detection, single line crossing, double line crossing, loitering, wrong-way detection, area people limit, perimeter detection, and people counting.
- True WDR (120dB), 3D DNR, ROI, Defog, HLC
- Built-in warm lights, illumination distance up to 40m
- Built-in mic and speaker, 1/1 audio input/output, 1/1 alarm input/output
- Built-in microSD card slot
- IP66 protection

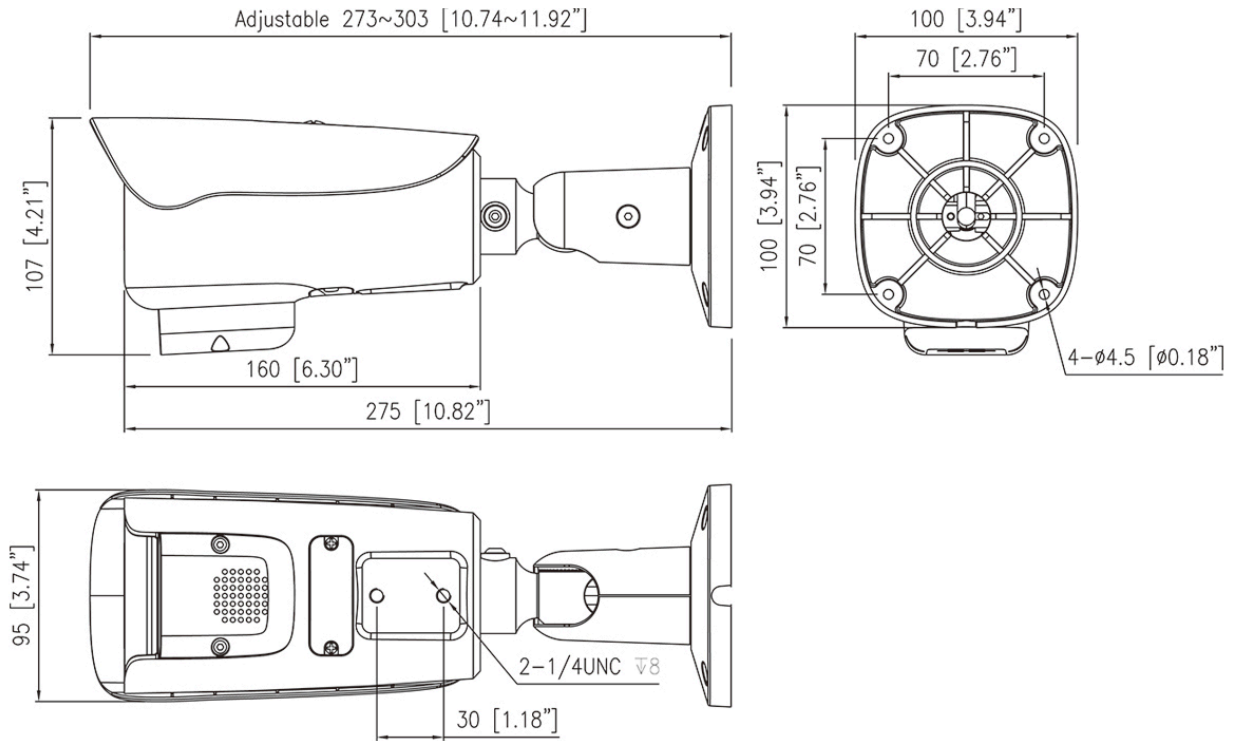
## Specifications

Camera	
Image Sensor	1/1.8" Progressive Scan CMOS
Max Resolution	4MP, 2560(H) × 1440(V)
Shutter Speed	1/5 to 1/20,000s
Min Illumination	Color: 0.0005 Lux @ (F1.0, AGC ON), 0 Lux with illuminator on
Day & Night	Fixed filter
Angle Adjustment	Pan: 0° to 360°, Tilt: 0° to 90°, Rotation: 0° to 360°
Lens	
Lens Type	Fixed lens, Fixed focal
Focal Length	2.8 mm, 4 mm, 6 mm optional
Max. Aperture	F1.0
Field of View (FOV)	2.8 mm: - H: 110.6°, V: 59.8° 4 mm: - H: 94.3°, V: 50° 6 mm: - H: 57.2°, V: 30.2°
Iris	Fixed Iris
Illuminator	
Type	Warm light
Distance	Up to 40 m (131.2 ft)
Control	Auto/Manual
Intelligent Analytics	
AI Multi-Target	Supports face, human, and vehicle detection & capture
Intelligent Analysis	Intrusion detection, smart motion detection, single line crossing, double line crossing, loitering, wrong-way detection, area people limit, and perimeter detection. - Supports accurate target classification (human/vehicle)
People Counting	Supported
Video & Audio	
Number of Streams	3 Streams
Resolution	Stream1: 2560×1440, 2304×1296, 1920×1080, 1280×720 Stream2: D1, VGA, CIF Stream3: VGA, CIF, QVGA
Frame Rate	Up to 25/30fps
Bit Rate Control	CBR/VBR

Bit Rate	Stream1: 200 Kbps to 12 Mbps Stream2: 100 Kbps to 6 Mbps Stream3: 100 Kbps to 3 Mbps
Smart Encoding	Supported
Region of Interest (ROI)	Off/On (8 Zone, Rectangle)
Audio Compression	G.711 A-law, G.711 $\mu$ -law, RAW_PCM
Audio Bit Rate	64 Kbps (G.711), 128 Kbps (RAW_PCM)
<b>Image</b>	
Image Adjustment	Brightness, Sharpness, Contrast, Saturation adjustable
Scene Mode	Indoor, Outdoor, Mirror, Corridor mode
Exposure Mode	Auto, Manual, Shutter priority
White Balance	Auto, Tungsten, Fluorescent, Daylight, Shadow, Manual
Day/Night Setting	Auto, Day, Night, Timer
Noise Reduction	2D/3D DNR
Image Enhancement	HLC, BLC, Defog, WDR
Wide Dynamic Range	True WDR (120dB)
Privacy Masking	4 areas
<b>Event</b>	
Alarm Triggers	IVS, Motion detection, Alarm input, Network alarm, Disk alarm, Day/Night switch alarm, Abnormal sound detection
Event Actions	Alarm record, Alarm output, FTP upload, SMTP upload, Snapshot, Audible alarm output
<b>Network</b>	
Protocols	IPv4/IPv6, HTTP/HTTPS, DNS, DDNS, DHCP, PPPoE, RTSP/ RTCP/RTP, TCP/UDP, NTP, ARP, UPnP, FTP, SMTP, QoS, ICMP, IGMP, SMTP, 802.1x, SNMP, Multicast
Application Programming Interface	ONVIF (Profile S/T/G/M), SDK, CGI
Max Concurrent Streams	10 channels
User/Host Level	32+ users, 3 levels: Administrator, Operator, Media user
Web Viewer	<IE11, Chrome, Firefox, Microsoft Edge
<b>Security</b>	
OS / Firmware Protect	Encrypted firmware, Signed firmware
User Authentication	Digest authentication, Prevent brute-force attack
Network Authentication	IEEE 802.1X (EAP-TLS)
Secure Communication	HTTPS, WSS (WebSocket Secure), SRTP
Access Control	IP-based access control, Auto logout
Data Protect	Encryption credentials
Audit	Access / System / Event Log management
Secure Storage	SDcard partition encrypt (AES-256), Secure element

Supply Chain Security	SBOM
<b>Interface</b>	
Network Interface	1 × Ethernet (10/100 Base-T), RJ-45 connector
Built-in Microphone	Supported
Built-in Speaker	Supported
Audio Interface	1ch Input, 1ch Output
Alarm Interface	1ch Input, 1ch Output
SD Card Slot	Built-in, up to 256 GB
Reset Button	Supported
<b>General</b>	
Language	English, Chinese, Traditional Chinese, Polish, Italian, Portuguese, Spanish, Russian, French, Czech, Hungarian, Japanese, Korean. Default: English
Power Supply	12 VDC (-15% to +25%) / PoE (802.3af)
Power Consumption	Max 10.5 W
Operating Temperature	-40°C to 55°C (-40°F to 131°F)
Operating Humidity	Less than 95% RH
Ingress Protection	IP66
Certifications	CE-EMC - EN 55032, EN IEC 61000-6-3, EN IEC 61000-3-2, EN 61000-3-3, EN 55035, EN 50130-4 FCC 47 CFR Part 15 Subpart B
Material	Aluminum alloy + plastic
Dimensions	303 × 100 × 107 mm (11.9 × 3.94 × 4.21 inch)
Net Weight	Approx. 1.25 kg (2.76 lb)
<b>DORI Distance (EN62676-4 standard)</b>	
Detect	2.8 mm: 56 m (183.73 ft) 4 mm: 67 m (219.82 ft) 6 mm: 109 m (357.61 ft)
Observe	2.8 mm: 22.4 m (73.49 ft) 4 mm: 26.8 m (87.93 ft) 6 mm: 43.6 m (143.04 ft)
Recognize	2.8 mm: 11.2 m (36.75 ft) 4 mm: 13.4 m (43.97 ft) 6 mm: 21.8 m (71.52 ft)
Identify	2.8 mm: 5.6 m (18.38 ft) 4 mm: 6.7 m (21.98 ft) 6 mm: 10.8 m (35.76 ft)

## Dimensions (mm)



## Accessories

### Optional:



IK-AJ45G  
Junction Box



IK-AP27D  
Pole Mount



IK-AP01A  
Pole Mount



IK-ACR02A  
Corner Mount