

# IK-P5844FC-X5

3-inch 5MP Active Deterrence Network PTZ Camera



## Key Features

- 1/2.7" progressive scan CMOS
- Max. 5MP (2880 × 1620) @25/30 fps resolution, 5x optical zoom, 16x digital zoom
- Supports face, human, and vehicle detection & capture.
- Supports human and vehicle attribute detection.
- Intelligent analytics: Intrusion, smart motion detection, single line crossing, double line crossing, loitering, wrong-way detection, area people limit, perimeter detection, illegal parking, running detection, fall detection, fight detection, smoke and flame detection, and people counting.
- Supports alarm-linked tracking and intelligent tracking based on person/vehicle targets.
- True WDR(120dB), 3D DNR, ICR, Defog and DIS
- Built-in microphone, speaker, and red/blue warning lights, supports sound and light alarms
- Smart dual illuminator, up to 50m IR and 30m warm light distance
- Built-in microSD card slot (up to 1TB), IP66

## Specifications

Camera	
Image Sensor	1/2.7" Progressive Scan CMOS
Max Resolution	2880(H)×1620(V)
Shutter Speed	1/5 to 1/20,000s
Min Illumination	Color: 0.01 Lux @ (F1.6, AGC ON), B/W: 0.001 Lux @ (F1.6, AGC ON), 0 Lux with illuminator on
Day & Night	Auto (ICR)
S/N Ratio	55 dB
Lens	
Focal Length	2.7 to 13.5mm
Max. Aperture	F1.66 to F3.03
Field of View (FOV)	H: 111.5° to 32.3°, V: 57.5° to 17.9°
Optical Zoom	5x
Digital Zoom	16x
Iris	Auto/Manual
Focus Control	Auto/Manual/Semi-automatic
Illuminator	
Type	IR, Warm light
IR wavelength	850 nm
Distance	IR distance up to 50 m (164.0 ft) Warm lights distance up to 30 m (98.4 ft)
Control	IR mode, White mode, Intelligent mode, None
Intelligent Analytics	
Multi-Object Detection	- Supports face, human, and vehicle detection & capture - Supports human and vehicle attribute detection - Supports multiple frame modes: Full Frame, Four-Corner Frame, Mosaic
Attribute Extraction	Human Attributes: Gender, age, glasses, hat, bag, upper clothing color & style, lower clothing color & style, reflective vest Vehicle Attributes: Type, color, brand, orientation
Intelligent Analysis	Intrusion detection, smart motion detection, single line crossing, double line crossing, loitering, wrong-way detection, area people limit, perimeter detection, illegal parking, running detection, fall detection, fight detection - Supports accurate target classification (human/vehicle)
Smoke and Flame Detection	Supported
People Counting	Supported

Video & Audio	
Number of Streams	3 Streams
Resolution	Stream1: 2880×1620, 2560×1440, 2304×1296, 1920×1080, 1280×720 Stream2: D1, VGA, 640×360, CIF, QVGA Stream3: VGA, CIF, QVGA
Frame Rate	Up to 25/30fps
Bit Rate Control	CBR/VBR
Bit Rate	Stream1: 200 kbps to 12 Mbps Stream2: 100 kbps to 6 Mbps Stream3: 100 kbps to 3 Mbps
Smart Encoding	Supported
Region of Interest (ROI)	Supported
Audio Compression	G.711 A-law, G.711 $\mu$ -law, RAW_PCM
Audio Bit Rate	64 kbps (G.711), 128 kbps (RAW_PCM)
Image	
Image Adjustment	Brightness, Sharpness, Contrast, Saturation adjustable
Scene Mode	Indoor, Outdoor, Mirror
Exposure Mode	Auto, Manual, Shutter priority, Iris priority
White Balance	Auto, Tungsten, Fluorescent, Daylight, Shadow, Manual
Day/Night Setting	Auto, Day, Night, Timer
Noise Reduction	2D/3D DNR
Image Enhancement	HLC, BLC, Defog, WDR, Anti-shake
Wide Dynamic Range	True WDR (120dB)
Privacy Masking	Support 40 zones, mask color configurable
PTZ	
Pan/Tilt Range	Pan: 0° to 355° endless, Tilt: -20° to +90° (auto-flip)
Pan Speed	Pan speed: 0.1° to 60°/s, preset speed: 60°/s
Tilt Speed	Tilt speed: 0.1° to 50°/s, preset speed: 50°/s
Preset Accuracy	$\leq 0.3^\circ$
Preset	400
Track	6 Track
Scan	12 Scan
Tour	12 Tour (up to 32 presets each tour)
Intelligent Tracking	Supported Object auto tracking (Person/Vehicle)
Power-Off Memory	Supported
3D Positioning	Supported
PTZ Status Display	Supported

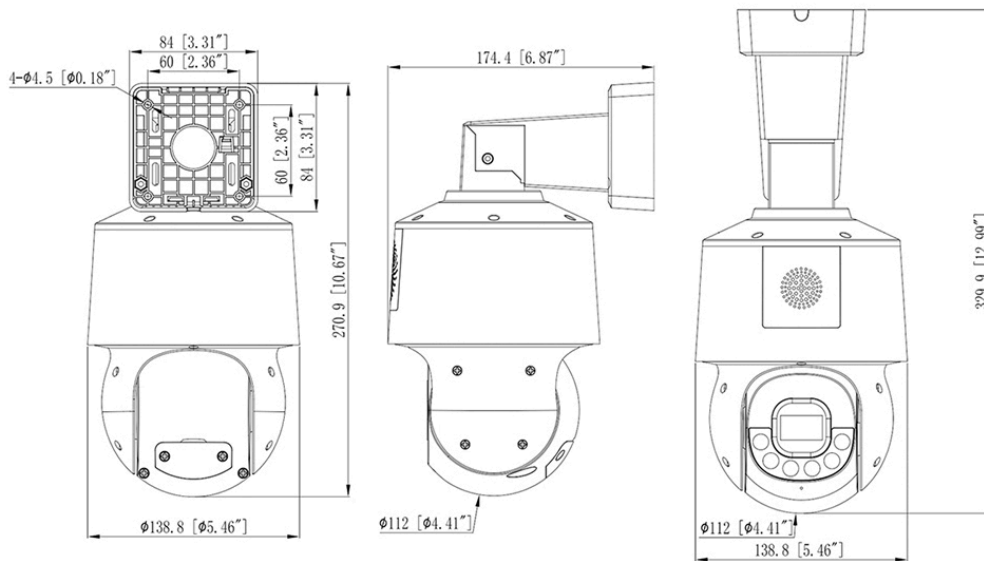
Idle Motion	The time can be set (1-240 minutes), and functions such as preset positions, patrols, scans, and tracks can be run.
<b>Event</b>	
Alarm Triggers	IVS, Motion detection, Alarm input, Network alarm, Disk alarm, Day/Night switch alarm, Abnormal sound detection
Event Actions	Alarm record, Alarm output, FTP upload, SMTP upload, Linkage tracking, Audible alarm output, White light alarm output, Red and blue alarm output
<b>Network</b>	
Protocols	IPv4/IPv6, HTTP/HTTPS, DNS, DDNS, DHCP, PPPoE, RTSP/ RTCP/RTP, TCP/UDP, NTP, ARP, UPnP, FTP, SMTP, QoS, ICMP, IGMP, SMTP, 802.1x, SNMP, Multicast
Application Programming Interface	ONVIF (Profile S/T/G/M), SDK, CGI
Max Concurrent Streams	10 channels
User/Host Level	32+ users, 3 levels: Administrator, Operator, Media user
Web Viewer	<IE11, Chrome, Firefox, Microsoft Edge
<b>Security</b>	
OS / Firmware Protect	Encrypted firmware, Signed firmware
User Authentication	Digest authentication, Prevent brute-force attack
Network Authentication	IEEE 802.1X(EAP-TLS)
Secure Communication	HTTPS, WSS(WebSocket Secure), SRTP
Access Control	IP-based access control, Auto logout
Data Protect	Encryption credentials
Audit	Access / System / Event Log management
Secure Storage	SDcard partition encrypt(AES-256), Secure element
Supply Chain Security	SBOM
<b>Interface</b>	
Network Interface	1 × Ethernet (10/100 Base-T), RJ-45 connector
Built-in Microphone	Support
Built-in Speaker	Support, Max sound transmission distance of 60 m (196.85 ft) (45-48 dB)
Alarm Interface	1ch Input, 1ch Output
SD Card Slot	Built-in microSD card slot, up to 1 TB
Reset Button	Supported
<b>General</b>	
Language	English, Chinese, Traditional Chinese, Polish, Italian, Portuguese, Spanish, Russian, French, Czech, Hungarian, Japanese, Korean. Default: English
Power Supply	12 VDC / PoE+ (802.3at)
Power Consumption	Less than 19.5W (illuminator + red and blue warning light + speaker + PTZ working + glass defogging )

Operating Temperature	-30°C to 60°C (-22°F to 140 °F)
Operating Humidity	Less than 95% RH
Ingress Protection	IP66
Certifications	CE-EMC- EN 55032, EN IEC 61000-6-3, EN IEC 61000-3-2, EN 61000-3-3, EN 55035, EN 50130-4 CE-LVD - EN IEC 62368-1 FCC 47 CFR Part 15 Subpart B
Material	Metal + Plastic
Dimensions	174.4 × 138.8 × 270.9 mm (6.87 × 5.46 × 10.67 inch) of wall mount
Net Weight	1.28 Kg (2.82 lb)

### DORI Distance (EN62676-4 standard)

Detect	70 to 205 m (229.7 to 672.6 ft)
Observe	28 to 82 m (91.9 to 269.0 ft)
Recognize	14 to 41 m (45.9 to 134.5 ft)
Identify	7 to 20.5 m (23.0 to 67.3 ft)

## Dimensions (mm)



## Accessories

### Optional:



IK-AP01  
Pole Mount



IK-ACR02  
Corner Mount