



# IK-B23116BR-B

2MP Hybrid HD Analogue IR Bullet Camera

## Key Features

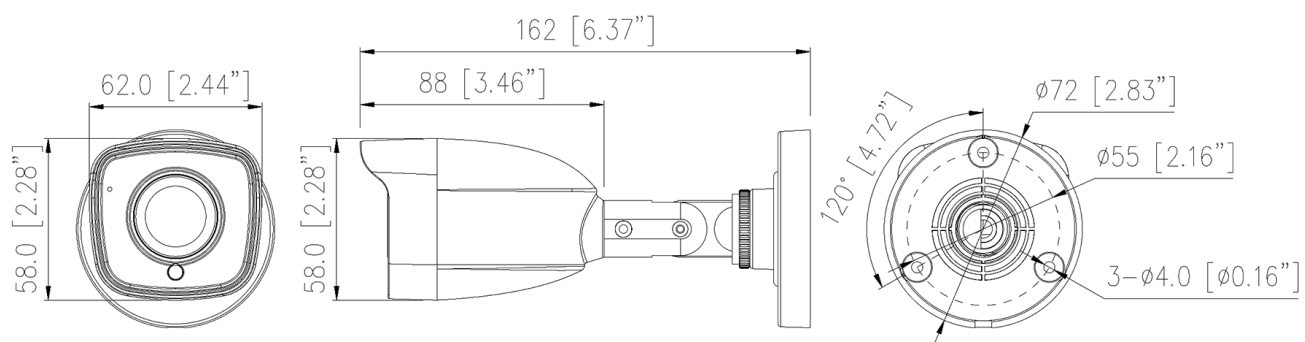
- 1/3" progressive scan CMOS
- Max. 2MP(1920×1080) @25/30fps resolution
- 2.8mm mm fixed lens
- Up to 300m video transmission distance
- IR illumination distance up to 20m
- Supports 2D/3D DNR, DWDR, ICR, ATW, GLOBE, BLC
- Supports AHD/TVI/CVI/CVBS video outputs
- Multi-language OSD (9 languages)
- IP66

## Specification

Camera	
Image Sensor	1/3" Progressive Scan CMOS
Signal System	PAL/NTSC
Electronic Shutter	Auto
Min. illumination	Color: 0.01 Lux @ (F1.2, AGC ON), 0 Lux with IR on
S/N Ratio	More than 48dB
OSD Joystick	Optional
Up the Coax	Supported
Angle Adjustment	Pan: 0° ~ 360°, Tilt: 0° ~ 90°, Rotation: 0° ~ 360°
Language	English, Chinese, Traditional Chinese, Russian, Spanish, French, Polish, Italian, Portuguese.
Lens	
Lens Type	Fixed
Iris	Fixed Iris
Focal Length	2.8 mm
Max. Aperture	F2.2
Field of View (FoV)	H: 90.2°, V: 49.6°
Illuminator	
Illuminator Type	IR
Illuminator Number	18 pcs
Illumination Distance	Up to 20 m (65.6 ft)
IR wavelength	850 nm
Video	
Resolution	2MP (1920×1080)
Frame Rate	PAL: 25 fps, NTSC: 30 fps
Video Output	Support AHD/TVI/CVI/CVBS output
OSD Menu	Supported
Wide Dynamic Range	DWDR, Close / Open

AE Setting	Brightness, Exposure Mode (Global / BLC)
White Balance	Auto / Manual
Day/Night	Auto / Color / B/W/ Ext
Image Enhance	Contrast, Sharpness, Saturate
Noise Reduction	2D/3D DNR, Auto/Manual (0-10)
Flip	Close / Open
Mirror	Close / Open
<b>General</b>	
Power Supply	12 VDC ±10%
Power Consumption	Max. 3.6 W (12V DC, IR ON)
Operating Temperature	-10 °C to 55 °C (14°F to 131 °F)
Operating Humidity	Less than 85% RH
Ingress Protection	IP66
Certifications	CE-EMC: - EN 61000-6-3, EN 61000-3-2, EN 61000-3-3, EN 50130-4 FCC 47 CFR Part 15 Subpart B
Material	ABS
Dimensions	φ72 × 162 mm (φ2.83 × 6.37 inch)
Net Weight	0.16 kg (0.35 lb)

## Dimensions (mm)



## Accessories

Optional:

IK-AJ56B Junction Box	IK-AP27D Pole Mount
