

IK-B88610FS-B

8MP Dual-sensor Panoramic Bullet Network Camera



Key Features

- 2×5MP 1/2.8" STARVIS™ CMOS
- Output 180° wide angle splicing image
- Outputs max. 8MP (4224×1848)@25/30 fps, and supports 2592×1944 @25/30fps
- Supports face, human, and vehicle detection & capture.
- Supports human and vehicle attribute detection.
- Intelligent analytics: Intrusion, smart motion detection, single line crossing, double line crossing, loitering, wrong-way detection, area people limit, perimeter detection, illegal parking, running detection, fall detection, fight detection, heat map, and people counting.
- True WDR (120dB), 3D DNR, ROI, Defog, HLC
- Built-in warm light and IR light, the max. illumination distance up to 30 m (98.4 ft)
- Audio: 1ch in,1ch out; built-in Mic and speaker; support two-way talk
- Alarm: 1ch in,1ch out; built-in microSD card slot (up to 1 TB)
- IP66 protection

Specifications

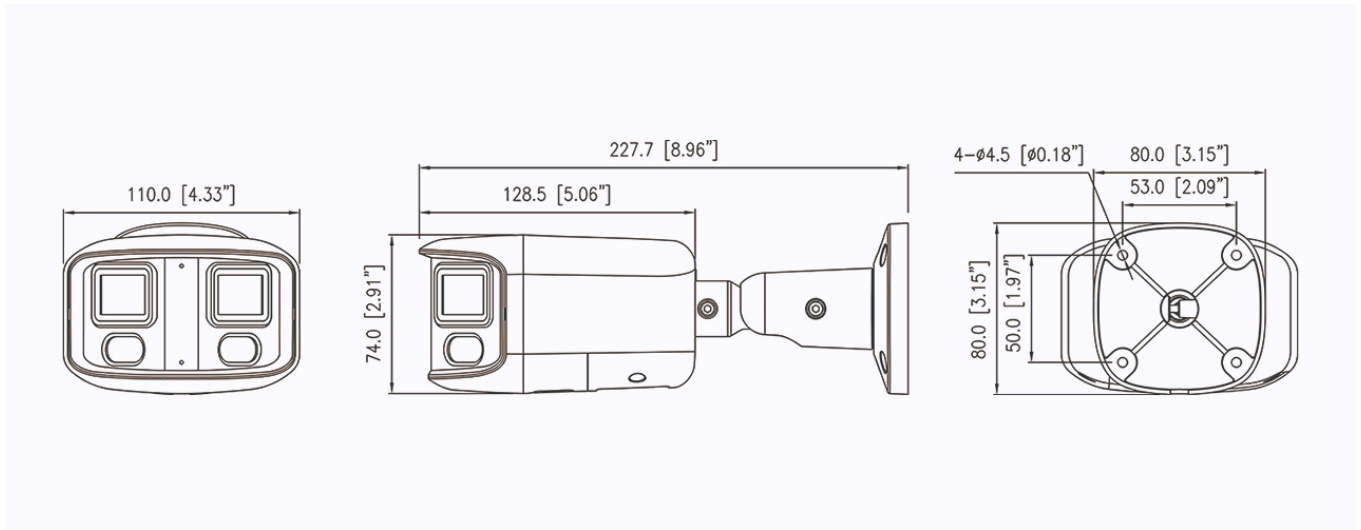
Camera	
Image Sensor	Dual 1/2.8" Progressive Scan CMOS
Max Resolution	8MP, 4224(H) × 1848(V)
Shutter Speed	1/5 to 1/100,000s
Min Illumination	Color: 0.01 Lux @ (F1.6, AGC ON) B/W: 0.001 Lux @ (F1.6, AGC ON), 0 Lux with illuminator on
Day & Night	Auto (ICR)
Angle Adjustment	Pan: 0° to 360°, Tilt: 0° to 90°, Rotation: 0° to 360°
Lens	
Lens Type	Fixed-focal lens, Dual lens
Focal Length	2.8 mm
Max. Aperture	F1.6
Field of View (FOV)	H: 185.8°, V: 65.3°
Iris	Fixed Iris
Illuminator	
Type	IR, Warm light (Smart Dual-light)
IR wavelength	850 nm
Distance	IR distance up to 30 m (98.4 ft) Warm light distance up to 20 m (65.6 ft)
Control	IR mode, White mode, Intelligent mode, None
Intelligent Analytics	
AI Multi-Target	- Supports face, human, and vehicle detection & capture - Supports human and vehicle attribute detection - Supports multiple frame modes: Full Frame, Four-Corner Frame, Mosaic
Attribute Extraction	Human Attributes: Gender, age, glasses, hat, bag, upper clothing color & style, lower clothing color & style, reflective vest Vehicle Attributes: Type, color, brand, orientation
Intelligent Analysis	Intrusion, smart motion detection, single line crossing, double line crossing, loitering, wrong-way detection, area people limit, perimeter detection, illegal parking, running detection, fall detection, and fight detection. - Supports accurate target classification (human/vehicle)
People Counting	Supported
Heat Map	Supported
Video & Audio	
Number of Streams	3 Streams

Resolution	<p>Splicing mode:</p> <ul style="list-style-type: none"> - Stream1: 4224×1848, 3072×1760, 3072×1536, 2880×1440, 2560×1280, 2048×1024, - Stream2: 1920×832, 1536×576, 960×416, - Stream3: 1920×832, 1280×560, 960×416. <p>Multi-channel mode:</p> <ul style="list-style-type: none"> - Stream1: 2592×1944, 2592×1520, 1920×1080, 1280×720, - Stream2: D1, VGA, CIF, QVGA - Stream3: VGA, CIF, QVGA
Frame Rate	Up to 25/30fps
Bit Rate Control	CBR/VBR
Bit Rate	<p>Splicing mode:</p> <ul style="list-style-type: none"> - Stream1: 500 Kbps to 16 Mbps - Stream2: 100 Kbps to 8 Mbps - Stream3: 100 Kbps to 8 Mbps <p>Multi-channel mode:</p> <ul style="list-style-type: none"> - Stream1: 200 Kbps to 16 Mbps - Stream2: 100 Kbps to 6 Mbps - Stream3: 100 Kbps to 3 Mbps
Smart Encoding	Supported
Region of Interest (ROI)	Off / On (8 Zone, Rectangle)
Audio Compression	G.711 A-law, G.711 μ -law, RAW_PCM
Audio Bit Rate	64 Kbps (G.711), 128 Kbps (RAW_PCM)
Image	
Image Adjustment	Brightness, Sharpness, Contrast, Saturation adjustable
Scene Mode	Indoor, Outdoor
Exposure Mode	Auto, Manual, Shutter priority
White Balance	Auto, Tungsten, Fluorescent, Daylight, Shadow, Manual
Day/Night Setting	Auto, Day, Night, Timer
Noise Reduction	2D/3D DNR
Image Enhancement	WDR, HLC, BLC, Defog
Wide Dynamic Range	True WDR (120dB)
Privacy Masking	4 areas
Event	
Alarm Triggers	IVS, Motion detection, Alarm input, Network alarm, Disk alarm, Day/Night switch alarm, Abnormal sound detection
Event Actions	Alarm record, Alarm output, FTP upload, SMTP upload, Snapshot, Audible alarm output, White light alarm output
Network	
Protocols	IPv4/IPv6, HTTP/HTTPS, DNS, DDNS, DHCP, PPPoE, RTSP/ RTCP/RTP, TCP/UDP, NTP, ARP, UPnP, FTP, SMTP, QoS, ICMP, IGMP, SMTP, 802.1x, SNMP, Multicast
Application Programming Interface	ONVIF (Profile S/T/G/M), SDK, CGI
Max Concurrent Streams	10 channels

User/Host Level	32+ users, 3 levels: Administrator, Operator, Media user
Web Viewer	<IE11, Chrome, Firefox, Microsoft Edge
Security	
OS / Firmware Protect	Encrypted firmware, Signed firmware
User Authentication	Digest authentication, Prevent brute-force attack
Network Authentication	IEEE 802.1X (EAP-TLS)
Secure Communication	HTTPS, WSS (WebSocket Secure), SRTP
Access Control	IP-based access control, Auto logout
Data Protect	Encryption credentials
Audit	Access / System / Event Log management
Secure Storage	SDcard partition encrypt (AES-256), Secure element
Supply Chain Security	SBOM
Interface	
Network Interface	1 × Ethernet (10/100 Base-T), RJ-45 connector
Built-in Microphone	Supported
Built-in Speaker	Supported
Audio Interface	1ch Input, 1ch Output
Alarm Interface	1ch Input, 1ch Output
SD Card Slot	Built-in microSD card slot, up to 1 TB
Reset Button	Supported
General	
Language	English, Chinese, Traditional Chinese, Polish, Italian, Portuguese, Spanish, Russian, French, Czech, Hungarian, Japanese, Korean. Default: English
Power Supply	12 VDC (-15% to +20%) / PoE (802.3af)
Power Consumption	Max. 4 W (without IR) Max. 11.5 W (IR on + Speaker)
Operating Temperature	-40°C to 60°C (-40°F to 140°F)
Operating Humidity	Less than 95% RH
Ingress Protection	IP66
Certifications	CE-EMC - EN 55032, EN IEC 61000-6-4, EN IEC 61000-3-2, EN 61000-3-3, EN 55035, EN 50130-4 FCC 47 CFR Part 15 Subpart B
Material	Metal
Dimensions	227.7 × 110 × 80 mm (8.96 × 4.33 × 3.15 inch)
Net Weight	Approx. 0.82 kg (1.81 lb)
DORI Distance (EN62676-4 standard)	
Detect	66 m (216.5 ft)

Observe	26.4 m (86.6 ft)
Recognize	13.2 m (43.3 ft)
Identify	6.6 m (21.7 ft)

Dimensions (mm)



Accessories

Optional:

