

# IK-T5707NC-B

5MP Smart Dual Light Active Deterrence Turret Network Camera



## Key Features

- 1/2.7" progressive scan CMOS
- Max. 5MP(2880×1620) @25/30fps resolution
- Support face, human, vehicle detection and capture
- Intelligent analytics: intrusion, single line crossing, double line crossing, loitering, wrong-way, illegal parking, smart motion detection and people counting
- True WDR (120dB), 3D DNR, ROI, HLC, BLC, Defog
- Built-in microphone and speaker
- Built-in red and blue warning light, support sound-light warning
- Built-in IR LED and warm lights, illumination distance up to 30 m
- Built-in SD card slot, up to 1TB microSD card
- IP66 protection

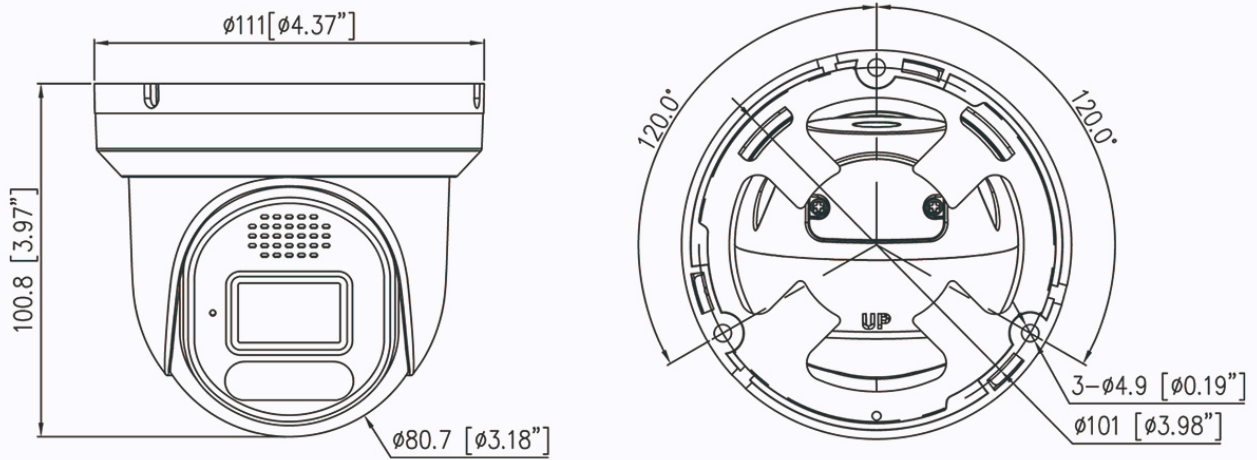
## Specifications

Camera	
Image Sensor	1/2.7" Progressive Scan CMOS
Max Resolution	5MP, 2880(H) × 1620(V)
Shutter Speed	1/5 to 1/20,000s
Min Illumination	Color: 0.01 Lux @ (F1.6, AGC ON), B/W: 0.005 Lux @ (F1.6, AGC ON), 0 Lux with illuminator on
Day & Night	Auto (ICR)
Angle Adjustment	Pan: 0° to 355°, Tilt: 0° to 80°, Rotation: 0° to 360°
Lens	
Lens Type	Fixed lens, Fixed focal
Focal Length	2.8 mm, 4 mm
Max. Aperture	F1.6
Field of View (FOV)	2.8 mm: - H: 110.9°, V: 60° 4 mm: - H: 91.8°, V: 46.3°
Iris	Fixed Iris
Illuminator	
Type	IR, Warm light
IR wavelength	850 nm
Distance	IR distance up to 30 m (98.4 ft) Warm light distance up to 20 m (65.6 ft)
Control	IR mode, White mode, Intelligent mode, None
Intelligent Analytics	
AI Multi-Target	Supports face, human, vehicle detection and capture
Intelligent Analysis	Intrusion detection, smart motion detection, single line crossing, double line crossing, loitering, wrong-way detection, and illegal parking. - Supports accurate target classification (human/vehicle)
People Counting	Supported
Video & Audio	
Number of Streams	3 Streams
Resolution	Stream1: 2880×1620, 2592×1520, 2560×1440, 2304×1296, 1920×1080, 1280×720 Stream2: D1, VGA, CIF Stream3: VGA, CIF, QVGA
Frame Rate	Up to 25/30fps

Bit Rate Control	CBR/VBR
Bit Rate	Stream1: 200 Kbps to 12 Mbps Stream2: 100 Kbps to 6 Mbps Stream3: 100 Kbps to 3 Mbps
Smart Encoding	Supported
Region of Interest (ROI)	Off/On (8 areas, Rectangle)
Audio Compression	G.711 A-law, G.711 $\mu$ -law, RAW_PCM
Audio Bit Rate	64 Kbps (G.711), 128 Kbps (RAW_PCM)
<b>Image</b>	
Image Adjustment	Brightness, Sharpness, Contrast, Saturation adjustable
Scene Mode	Indoor, Outdoor, Mirror, Corridor mode
Exposure Mode	Auto, Manual, Shutter priority
White Balance	Auto, Tungsten, Fluorescent, Daylight, Shadow, Manual
Day/Night Setting	Auto, Day, Night, Timer
Noise Reduction	2D/3D DNR
Image Enhancement	WDR, HLC, BLC, Defog
Wide Dynamic Range	True WDR (120dB)
Privacy Masking	4 areas
<b>Event</b>	
Alarm Triggers	IVS, Motion detection, Network alarm, Disk alarm, Day/Night switch alarm, Abnormal sound detection
Event Actions	Alarm record, FTP upload, SMTP upload, Audible alarm output, White light alarm output, Red and blue light alarm
<b>Network</b>	
Protocols	IPv4/IPv6, HTTP/HTTPS, DNS, DDNS, DHCP, PPPoE, RTSP/ RTCP/RTP, TCP/UDP, NTP, ARP, UPnP, FTP, SMTP, QoS, ICMP, IGMP, SMTP, 802.1x, SNMP, Multicast
Application Programming Interface	ONVIF (Profile S/T/G/M), SDK, CGI
Max Concurrent Streams	10 channels
User/Host Level	32+ users, 3 levels: Administrator, Operator, Media user
Web Viewer	<IE11, Chrome, Firefox, Microsoft Edge
<b>Security</b>	
OS / Firmware Protect	Encrypted firmware, Signed firmware
User Authentication	Digest authentication, Prevent brute-force attack
Network Authentication	EEE 802.1X (EAP-TLS)
Secure Communication	HTTPS, WSS (WebSocket Secure), SRTP
Access Control	IP-based access control, Auto logout
Data Protect	Encryption credentials

Audit	Access / System / Event Log management
Supply Chain Security	SBOM
<b>Interface</b>	
Network Interface	1 × Ethernet (10/100 Base-T), RJ-45 connector
Built-in Microphone	Supported
Built-in Speaker	Supported
SD Card Slot	Built-in microSD card slot, up to 1 TB
Reset Button	Supported
<b>General</b>	
Language	English, Chinese, Traditional Chinese, Polish, Italian, Portuguese, Spanish, Russian, French, Czech, Hungarian, Japanese, Korean. Default: English
Power Supply	12 VDC (-15% to +25%) / PoE (802.3af)
Power Consumption	Typical: 2.2 W (12 VDC); approx. 2.8 W (PoE) Max (with IR or Warm Light + Speaker + Red/Blue Lights on): 10 W (12 VDC); approx. 12.5 W (PoE)
Operating Temperature	-30°C to 60°C (-22°F to 140°F)
Operating Humidity	Less than 95% RH
Ingress Protection	IP66
Certifications	CE-EMC - EN 55032, EN IEC 61000-6-3, EN IEC 61000-3-2, EN 61000-3-3, EN 55035, EN 50130-4 FCC 47 CFR Part 15 Subpart B
Material	Aluminum alloy body, Decoration ring: ABS
Dimensions	φ111 × 100.8 mm (φ4.37 × 3.97 inch)
Net Weight	Approx. 0.43 kg (0.95 lb)
<b>DORI Distance (EN62676-4 standard)</b>	
Detect	2.8 mm: 64 m (210 ft) 4 mm: 96 m (315 ft)
Observe	2.8 mm: 25.6 m (84 ft) 4 mm: 38.4 m (126 ft)
Recognize	2.8 mm: 12.8 m (42 ft) 4 mm: 19.2 m (63 ft)
Identify	2.8 mm: 6.4 m (21 ft) 4 mm: 9.6 m (31.5 ft)

## Dimensions (mm)



## Accessories

### Optional:

IK-AJ46M Junction Box	IK-AW382A Wall Mount	IK-ACC02A Pendant Cap	IK-AC02 Ceiling Mount
IK-AW01 Wall Mount	IK-AW02 Wall Mount	IK-AP01 Pole Mount	IK-ACR02 Corner Mount