

IK-A9805F-T-EC

9MP ANPR Box Network Camera



Key Features

- 1/1.1" GMOS
- Max. 9MP(4096×2160) @50/60fps resolution
- Optional 25mm / 35mm / 50mm fixed-focus lens with auto focus
- Supports license plate recognition and vehicle attribute recognition
- Max. recognition speed up to 200 km/h
- Supports up to 20,000 whitelist/blacklist entries and 20,000 captured snapshots
- 2 RJ45, 4/2 alarm in/out, 3 RS-485, 1 RS-232, 1 USB
- Built-in microSD card slot (up to 1 TB)
- Supports 12 VDC / 24 VAC / PoE power supply

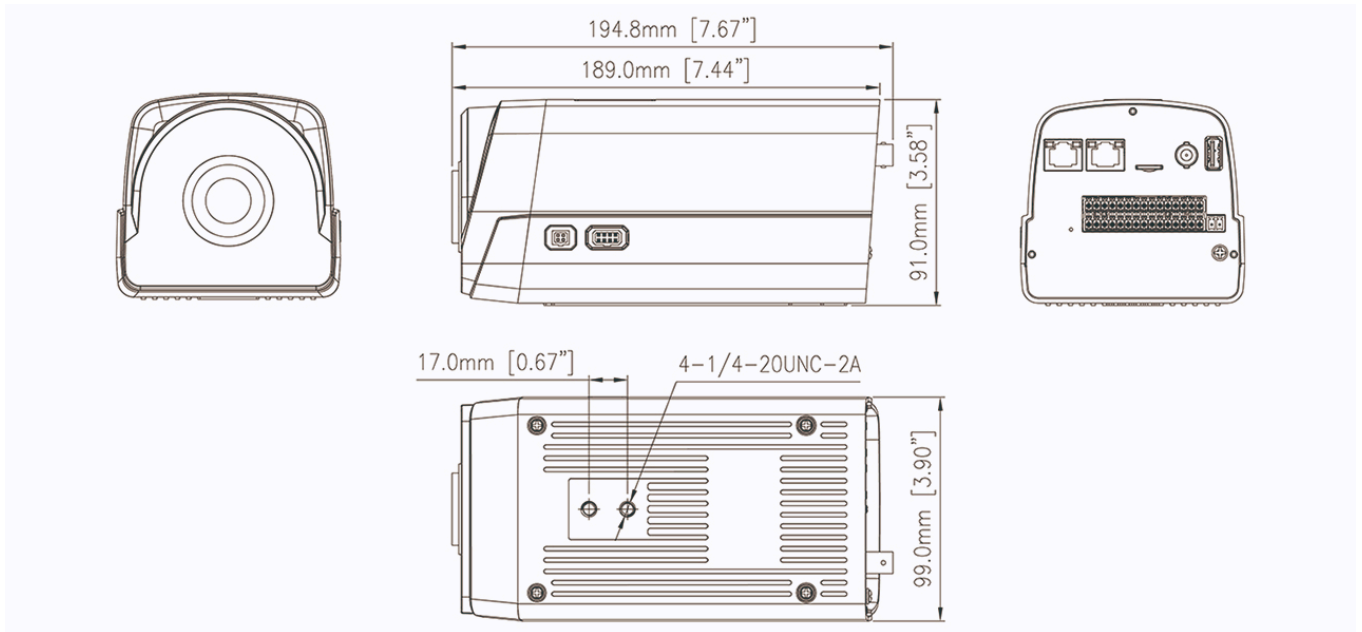
Specifications

Camera	
Image Sensor	1/1.1" GMOS
Max Resolution	9MP, 4096(H) × 2160(V)
Shutter Speed	1/5 to 1/100,000 s
Min Illumination	Color: 0.001 Lux @ (F1.4, AGC ON), B/W: 0.0005 Lux @ (F1.4, AGC ON)
Day & Night	Auto (ICR)
S/N Ratio	55dB
Lens	
Lens Type	Fixed lens, Auto focus
Focal Length	25 mm, 35 mm, 50 mm optional
Max. Aperture	- 25 mm: F1.4 - 35 mm: F1.4 - 50 mm: F1.5
Field of View (FOV)	- 25 mm: H 32.8° , V 17.2° - 35 mm: H 23.7° , V 12.5° - 50 mm: H 16.7° , V 8.8°
Iris	Fixed Iris
Road Traffic and Vehicle Detection	
Coverage	Up to 2 lanes
Smart Function	License plate recognition (LPR); Vehicle attribute recognition (type, color, direction)
Vehicle Type	Car, SUV, Van, Minivan, Pickup, Bus, Truck, MPV, Sports Car
Vehicle Color	Blue, Yellow, Black, White, Green, Red, Gray, Brown, Gold, Orange
Vehicle Direction	Front-facing, Rear-facing
LPR Detection Speed	Up to 200 km/h
LPR Region Support	Europe, USA, Brazil, Philippines, Israel, China, Australia, Chile, Indonesia, Malaysia, Oman, Saudi Arabia, South Africa
White/Black List	Up to 20,000 records
EMMC Storage	Up to 20,000 records
LPR Smart Search	Supported
Intelligent Analytics	
Intelligent Analysis	Intrusion, Single line crossing, Double line crossing, Wrong-way detection, Illegal parking, and Smart motion detection. Support alarm triggering by specified target types (vehicle)
Video & Audio	

Number of Streams	3 Streams
Resolution	Stream1: 4096×2160, 2592×1944, 2592×1520, 2560×1440, 2304×1296, 1920×1080, 1280×720 Stream2: D1, VGA, CIF Stream3: VGA, CIF, QVGA
Frame Rate	Up to 50/60fps
Bit Rate Control	CBR/VBR
Bit Rate	Stream1: 200 kbps to 36 Mbps Stream2: 100 kbps to 6 Mbps Stream3: 100 kbps to 3 Mbps
Smart Encoding	Supported
Region of Interest (ROI)	8 areas
Image	
Image Adjustment	Brightness, Sharpness, Contrast, Saturation
Scene Mode	Indoor, Outdoor, LPR, Mirror, Corridor mode
Exposure Mode	Auto, Manual, Shutter priority
White Balance	Auto, Tungsten, Fluorescent, Daylight, Shadow, Manual
Day/Night Setting	Auto, Day mode, Night mode, Timer
Noise Reduction	2D/3D DNR
Image Enhancement	WDR, HLC, BLC, Defog
Wide Dynamic Range	DWDR
Privacy Masking	4 areas
Event	
Alarm Triggers	IVS, Motion detection, Alarm input, Network alarm, Disk alarm, Day/Night switch alarm
Event Actions	Alarm record, Alarm output, FTP upload, SMTP upload, Wiegand output
Network	
Protocols	IPv4/IPv6, HTTP/HTTPS, DNS, DDNS, DHCP, PPPoE, RTSP/ RTCP/RTP, TCP/UDP, NTP, ARP, UPnP, FTP, SMTP, QoS, ICMP, IGMP, SMTP, 802.1x, SNMP, Multicast
Application Programming Interface	ONVIF (Profile S/T/G/M), SDK, CGI
Max Concurrent Streams	10 channels
User/Host Level	32+ users, 3 user levels: Administrator, Operator, Media user
Web Viewer	<IE11, Chrome, Firefox, Microsoft Edge
Security	
OS / Firmware Protect	Encrypted firmware, Secure boot, Signed firmware
User Authentication	Digest authentication, Prevent brute-force attack
Network Authentication	IEEE 802.1X (EAP-TLS)
Secure Communication	HTTPS, WSS (WebSocket Secure), SRTP
Access Control	IP-based access control, Auto logout

Data Protect	Encryption credentials
Audit	Access / System / Event Log management
Secure Storage	SDcard partition encrypt (AES-256), Secure element
Supply Chain Security	SBOM
Interface	
Network Interface	2 × RJ45 10/100/1000 Mbps Self-Adaptive Ethernet Interfaces
Alarm Interface	4 × Input; 2 × Output
Control Interface	3 × RS-485; 1 × RS-232
Wiegand Port	1 × Wiegand (26-bit, SHA-1 26-bit, 34-bit, and NEWG 72-bit)
CVBS Output	1 × BNC
SD Card Slot	Built-in, up to 1 TB
Reset Button	Supported
General	
Language	English, Chinese, Traditional Chinese, Polish, Italian, Portuguese, Spanish, Russian, French, Czech, Hungarian, Japanese, Korean. Default: English
Power Supply	12 VDC / 24 VAC / PoE+ (802.3at)
Power Consumption	Max. 10 W (12 VDC) / approx. 12 W (PoE)
Operating Temperature	-30°C to 55°C (-22°F to 131°F)
Operating Humidity	Less than 90% RH
Ingress Protection	N/A
Certifications	CE/FCC
Material	Metal
Dimensions	194.8 × 99 × 91 mm (7.67 × 3.9 × 3.58 inch)
Net Weight	Approx. 990 g (without lens)

Dimensions (mm)



Accessories

Optional:

