

# IK-B12802FR-PZ

12MP IR Varifocal Bullet Network Camera



## Key Features

- 1/1.7" STARVIS™ CMOS
- Max. 12MP(4000×3000) @25/30fps resolution
- 4.1 to 12.8 mm motorized focal lens
- Supports face, human, and vehicle detection & capture.
- Supports human and vehicle attribute detection.
- Intelligent analytics: Intrusion, smart motion detection, single line crossing, double line crossing, loitering, wrong-way detection, area people limit, perimeter detection, illegal parking, running detection, fall detection, fight detection, and people counting.
- DWDR, 3D DNR, ROI, Defog, HLC
- Smart IR distance up to 60 m
- Built-in mic, 1/1 audio input/output, 1/1 alarm input/output
- Built-in microSD card slot (up to 1 TB)
- IP67, IK10-rated housing

## Specifications

Camera	
Image Sensor	1/1.7" Progressive Scan CMOS
Max Resolution	12MP, 4000(H) × 3000(V)
Shutter Speed	1/5 to 1/50,000s
Min Illumination	Color: 0.001 Lux @ (F1.2, AGC ON), B/W: 0.0005 Lux @ (F1.2, AGC ON), 0 Lux with IR on
Day & Night	Auto (ICR)
Angle Adjustment	Pan: 0° to 360°, Tilt: 0° to 90°, Rotation: 0° to 360°
Lens	
Lens Type	Varifocal lens, Motorized focal
Focal Length	4.1 to 12.8 mm
Max. Aperture	F1.53
Field of View (FOV)	H: 93.8° to 34°, V: 70.1° to 25.8°
Iris	Auto Iris
Illuminator	
Type	IR
IR wavelength	850 nm
Distance	Up to 60 m (196.9 ft)
Control	Auto/Manual
Intelligent Analytics	
AI Multi-Target	<ul style="list-style-type: none"> <li>- Supports face, human, and vehicle detection &amp; capture</li> <li>- Supports human and vehicle attribute detection</li> <li>- Supports multiple frame modes: Full Frame, Four-Corner Frame, Mosaic</li> </ul>
Attribute Extraction	Human Attributes: Gender, age, glasses, hat, bag, upper clothing color & style, lower clothing color & style, reflective vest Vehicle Attributes: Type, color, brand, orientation
Intelligent Analysis	Intrusion detection, smart motion detection, single line crossing, double line crossing, loitering, wrong-way detection, area people limit, perimeter detection, illegal parking, running detection, fall detection, fight detection - Supports accurate target classification (human/vehicle)
People Counting	Supported
Video & Audio	
Number of Streams	3 Streams
Resolution	Stream1: 4000×3000, 2592×1944, 1280×960 Stream2: D1, VGA, CIF Stream3: VGA, CIF, QVGA

Frame Rate	Up to 25/30fps
Bit Rate Control	CBR/VBR
Bit Rate	Stream1: 200 Kbps to 16 Mbps Stream2: 100 Kbps to 6 Mbps Stream3: 100 Kbps to 3 Mbps
Smart Encoding	Supported
Region of Interest (ROI)	Off/On (8 Zone, Rectangle)
Audio Compression	G.711 A-law, G.711 $\mu$ -law, RAW_PCM
Audio Bit Rate	64 Kbps (G.711), 128 Kbps (RAW_PCM)
<b>Image</b>	
Image Adjustment	Brightness, Sharpness, Contrast, Saturation adjustable
Scene Mode	Indoor, Outdoor, Mirror, Corridor mode
Exposure Mode	Auto, Manual, Shutter priority
White Balance	Auto, Tungsten, Fluorescent, Daylight, Shadow, Manual
Day/Night Setting	Auto, Day, Night, Time
Noise Reduction	2D/3D DNR
Image Enhancement	HLC, BLC, Defog, WDR
Wide Dynamic Range	DWDR
Privacy Masking	4 areas
<b>Event</b>	
Alarm Triggers	IVS, Motion detection, Alarm input, Network alarm, Disk alarm, Day/Night switch alarm, Abnormal sound detection
Event Actions	Alarm record, Alarm output, FTP upload, SMTP upload, Snapshot, Audible alarm output
<b>Network</b>	
Protocols	IPv4/IPv6, HTTP/HTTPS, DNS, DDNS, DHCP, PPPoE, RTSP/ RTCP/RTP, TCP/UDP, NTP, ARP, UPnP, FTP, SMTP, QoS, ICMP, IGMP, SMTP, 802.1x, SNMP, Multicast
Application Programming Interface	ONVIF (Profile S/T/G/M), SDK, CGI
Max Concurrent Streams	10 channels
User/Host Level	32+ users, 3 levels: Administrator, Operator, Media user
Web Viewer	<IE11, Chrome, Firefox, Microsoft Edge
<b>Security</b>	
OS / Firmware Protect	Encrypted firmware, Secure boot, Signed firmware
User Authentication	Digest authentication, Prevent brute-force attack
Network Authentication	IEEE 802.1X (EAP-TLS)
Secure Communication	HTTPS, WSS (WebSocket Secure), SRTP
Access Control	IP-based access control, Auto logout
Data Protect	Encryption credentials

Audit	Access / System / Event Log management
Secure Storage	SDcard partition encrypt (AES-256), Secure element
Supply Chain Security	SBOM

### Interface

Network Interface	1 × Ethernet (10/100 Base-T), RJ-45 connector
Built-in Microphone	Supported
Audio Interface	1ch input (line in), 1ch output (line out)
Alarm Interface	1ch input, 1ch output
SD Card Slot	Built-in microSD card slot, up to 1 TB
Reset Button	Supported

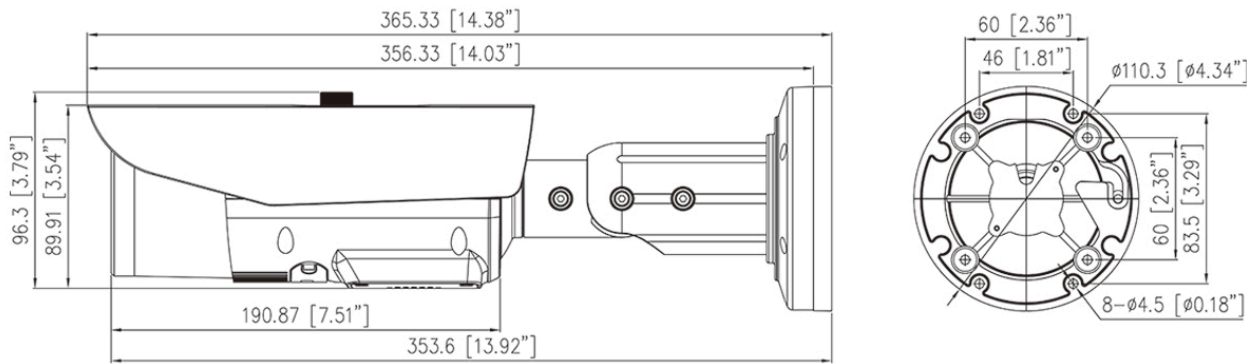
### General

Language	English, Chinese, Traditional Chinese, Polish, Italian, Portuguese, Spanish, Russian, French, Czech, Hungarian, Japanese, Korean. Default: English
Power Supply	12 VDC (-15% to +25%)/PoE (802.3af)
Power Consumption	Typical: 4.6 W (12 VDC) Max: 12.5 W (12 VDC, with Focus + WDR + Speaker + IR on)
Operating Temperature	-40°C to 60°C (-40°F to 140°F )
Operating Humidity	Less than 95% RH
Ingress Protection	IP67 (housing), IK10
Certifications	CE-EMC - EN 55032, EN IEC 61000-6-4, EN IEC 61000-3-2, EN 61000-3-3, EN 55035, EN 50130-4 FCC 47 CFR Part 15 Subpart B
Material	Aluminum alloy
Dimensions	φ110.3 × 356.33 mm (φ4.34 × 14.03 inch)
Net Weight	Approx. 1.45 Kg (3.2 lb)

### DORI Distance (EN62676-4 standard)

Detect	111 to 279 m (364.2 to 915.4 ft)
Observe	44.4 to 111.6 m (145.7 to 366.1 ft)
Recognize	22.2 to 55.8 m (72.8 to 183.1 ft)
Identify	11.1 to 27.9 m (36.4 to 91.5 ft)

## Dimensions (mm)



## Accessories

### Optional:



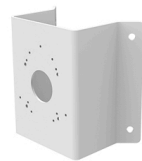
IK-AJ45G  
Junction Box



IK-AP27D  
Pole Mount



IK-AP01A  
Pole Mount



IK-ACR02A  
Corner Mount