

IK-B4872FR-T-PZ

4MP ANPR Bullet Network Camera



Key Features

- 1/1.8" progressive scan CMOS
- Max. 4MP(2688×1520) @50/60 fps resolution
- 8 to 32 mm, 10 to 50 mm motorized lens optional
- Supports license plate recognition and vehicle attribute recognition
- Max. recognition speed up to 120 km/h
- Supports up to 20,000 whitelist/blacklist entries and 20,000 captured snapshots
- True WDR (120dB), 3D DNR, ROI, Defog, HLC
- Supports Wiegand, connectable with access control system
- 1/1 audio in/out, 1/2 alarm in/out
- Built-in microSD card slot (up to 1 TB)
- Smart IR distance up to 120 m
- Customized housing with IP67, IK10 and NEMA-4x support as an option

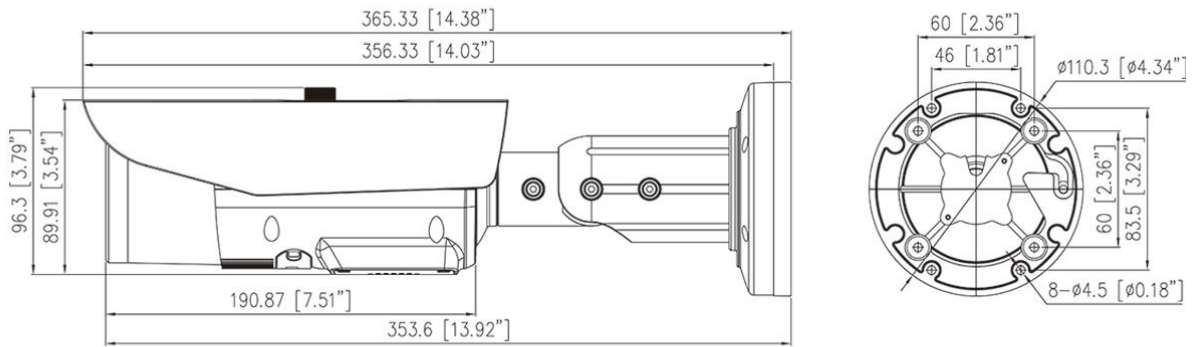
Specifications

Camera	
Image Sensor	1/1.8" Progressive Scan CMOS
Max Resolution	4MP, 2688(H) × 1520(V)
Shutter Speed	1/5 to 1/100,000s
Min Illumination	Color: 0.0025 Lux @ (F1.2, AGC ON), 0 Lux with IR on
Day & Night	Auto (ICR)
S/N Ratio	55dB
Angle Adjustment	Pan: 0° to 360°, Tilt: 0° to 90°, Rotation: 0° to 360°
Lens	
Lens Type	Varifocal lens
Focal Length	8 to 32 mm, 10 to 50 mm optional
Max. Aperture	F1.6 / F1.3 to F1.4
Field of View (FOV)	8 to 32 mm - H: 41.1° to 14°, V: 23° to 7.9° 10 to 50 mm - H: 42.5° to 11.1°, V: 24.3° to 6.3°
Iris	Auto Iris
Focus Control	Motorized focus
Illuminator	
Type	IR
IR wavelength	850nm
Distance	8 to 32 mm - Up to 80 m (262.5 ft) 10 to 50 mm - Up to 120 m (393.7 ft)
Control	Auto/Manual
Road Traffic and Vehicle Detection	
Smart Function	License plate recognition (LPR); Vehicle attribute recognition (type, color, direction)
Vehicle Type	Car, SUV, Van, Minivan, Pickup, Bus, Truck, MPV, Sports Car
Vehicle Color	Blue, Yellow, Black, White, Green, Red, Gray, Brown, Gold, Orange
Vehicle Direction	Front-facing, Rear-facing
LPR Detection Speed	Up to 120 km/h
LPR Region Support	Europe, United States, Thailand, Nepal, The United Arab Emirates, Taiwan (China), Vietnam, China, Brazil, Australia, Chile, India, Indonesia, Malaysia, Oman, The Philippines, Saudi Arabia, Singapore, South Africa
White/Black List	Up to 20,000 records

EMMC Storage	Up to 20,000 images
LPR Smart Search	Supported
Intelligent Analytics	
Intelligent Analysis	Intrusion, Single line crossing, Double line crossing, Wrong-way detection, Illegal parking, and Smart motion detection Support alarm triggering by specified target types (vehicle)
Video & Audio	
Number of Streams	3 Streams
Resolution	Stream1: 2688×1520, 2560×1440, 2304×1296, 1920×1080, 1280×720 Stream2: D1, VGA, CIF Stream3: VGA, CIF, QVGA
Frame Rate	Up to 50/60fps
Bit Rate Control	CBR/VBR
Bit Rate	Stream1: 100 kbps to 16 Mbps Stream2: 100 kbps to 6 Mbps Stream3: 100 kbps to 3 Mbps
Video Compression	H.265(smart)/H.264(smart)/MJPEG
Smart Encoding	Supported
Region of Interest (ROI)	8 areas
Audio Compression	G.711 A-law, G.711 μ -law, RAW_PCM
Audio Bit Rate	64 Kbps (G.711), 128 Kbps (RAW_PCM)
Image	
Image Adjustment	Brightness, Sharpness, Contrast, Saturation
Scene Mode	Indoor, Outdoor, LPR, Mirror, Corridor mode
Exposure Mode	Auto, Manual, Shutter priority, Iris priority
White Balance	Auto, Tungsten, Fluorescent, Daylight, Shadow, Manual
Day/Night Setting	Auto, Day mode, Night mode, Timer
Noise Reduction	2D/3D DNR
Image Enhancement	WDR, HLC, BLC, Defog, Anti-shake
Wide Dynamic Range	True WDR (120dB)
Privacy Masking	4 areas
Event	
Alarm Triggers	IVS, Motion detection, Alarm input, Network alarm, Disk alarm, Day/Night switch alarm, Abnormal sound detection
Event Actions	Alarm record, Alarm output, Wiegand output, FTP upload, SMTP upload, Audible alarm output
Network	
Protocols	IPv4/IPv6, HTTP/HTTPS, DNS, DDNS, DHCP, PPPoE, RTSP/ RTCP/RTP, TCP/UDP, NTP, ARP, UPnP, FTP, SMTP, QoS, ICMP, IGMP, SMTP, 802.1x, SNMP, Multicast
Application Programming	ONVIF (Profile S/T/G/M), SDK, CGI





Interface	
Max Concurrent Streams	10 channels
User/Host Level	32+ users, 3 levels: Administrator, Operator, Media user
Web Viewer	<IE11, Chrome, Firefox, Microsoft Edge
Security	
OS / Firmware Protect	Encrypted firmware, Signed firmware
User Authentication	Digest authentication, Prevent brute-force attack
Network Authentication	IEEE 802.1X (EAP-TLS)
Secure Communication	HTTPS, WSS (WebSocket Secure), SRTP
Access Control	IP-based access control, Auto logout
Data Protect	Encryption credentials
Audit	Access / System / Event Log management
Secure Storage	SDcard partition encrypt (AES-256), Secure element
Supply Chain Security	SBOM
Interface	
Network Interface	1 × Ethernet (10/100 Base-T), RJ-45 connector
Audio Interface	1 × Input; 1 × Output
Alarm Interface	1 × Input; 2 × Output
Control Interface	1 × RS-485
Wiegand Port	1 × Wiegand (26-bit, SHA-1 26-bit, 34-bit, and NEWG 72-bit)
SD Card Slot	Built-in, up to 1 TB
Reset Button	Supported
General	
Language	English, Chinese, Traditional Chinese, Polish, Italian, Portuguese, Spanish, Russian, French, Czech, Hungarian, Japanese, Korean. Default: English
Power Supply	12 VDC (-15% to +25%) / PoE (802.3af)
Power Consumption	Max 13.2 W
Operating Temperature	-40°C to 60°C (-40°F to 140°F)
Operating Humidity	Less than 95% RH
Ingress Protection	IP67/IK10, NEMA 4X optional
Certifications	CE-EMC - EN 55032, EN IEC 61000-6-4, EN IEC 61000-3-2, EN 61000-3-3, EN 55035, EN 50130-4 FCC 47 CFR Part 15 Subpart B
Material	Aluminum alloy
Dimensions	φ110 × 356.3 mm (φ4.33 × 14.03 inch)
Net Weight	Approx. 1.72 kg (3.79 lb)

Dimensions



Accessories

Optional:

			
<p>IK-AJ45G Junction Box</p>	<p>IK-AP27D Pole Mount</p>	<p>IK-AP01A Pole Mount</p>	<p>IK-ACR02A Corner Mount</p>