

# IK-B49013FE-PZ

4MP Nighthawk Full color Active Deterrence Varifocal  
Bullet Network Camera



## Key Features

- 1/1.8" STARVIS™ CMOS
- Max. 4MP(2688×1520) @25/30fps resolution
- Supports face, human, and vehicle detection & capture.
- Supports human and vehicle attribute detection.
- Intelligent analytics: Intrusion, smart motion detection, single line crossing, double line crossing, loitering, wrong-way detection, area people limit, perimeter detection, illegal parking, running detection, fall detection, fight detection, smoke and flame detection, and people counting.
- True WDR (120dB), 3D DNR, ROI, Defog, HLC
- Built-in warm lights, illumination distance up to 60m
- Built-in red and blue warning light, support sound-light warning
- 1/1 alarm in/out, 1/1 audio in/out
- Built-in microphone and microSD card slot (up to 1 TB)
- Supports 12 VDC / 0.25 A power output
- IP67-rated housing

## Specifications

| Camera                |  |
|-----------------------|--|
| Image Sensor          | 1/1.8" Progressive Scan CMOS   |
| Max Resolution        | 4MP, 2688(H) × 1520(V)   |
| Shutter Speed         | 1/5 to 1/50,000s   |
| Min Illumination      | Color: 0.0001 Lux @ (F1.0, AGC ON), 0 Lux with illuminator on  |
| Day & Night           | Fixed filter   |
| Angle Adjustment      | Pan: 0° to 360°, Tilt: 0° to 90°, Rotation: 0° to 360°   |
| Lens                  |  |
| Lens Type             | Varifocal lens, Motorized focal  |
| Focal Length          | 4.5 to 8 mm, and 8 to 32 mm optional   |
| Max. Aperture         | F1.0   |
| Field of View (FOV)   | 4.5 to 8 mm,<br>- H: 101° to 57.5°, V: 52.7° to 32°<br>8 to 32 mm,<br>- H: 39.7° to 16°, V: 22.6° to 9.2°  |
| Iris                  | Auto Iris  |
| Illuminator           |  |
| Type                  | Warm light   |
| Distance              | 4.5 to 8 mm,<br>- Up to 40 m (131.2 ft)<br>8 to 32 mm,<br>- Up to 60 m (196.9 ft)  |
| Control               | Auto/Manual  |
| Intelligent Analytics |  |
| AI Multi-Target       | - Supports face, human, and vehicle detection & capture.<br>- Supports human and vehicle attribute detection.<br>- Supports multiple frame modes: Full Frame, Four-Corner Frame, Mosaic.   |
| Attribute Extraction  | Human Attributes: Gender, age, glasses, hat, bag, upper clothing color & style, lower clothing color & style, reflective vest.<br>Vehicle Attributes: Type, color, brand, orientation.   |
| Intelligent Analysis  | Intrusion, smart motion detection, single line crossing, double line crossing, loitering, wrong-way detection, area people limit, perimeter detection, illegal parking, running detection, fall detection, and fight detection.<br>- Supports accurate target classification (human/vehicle) |
| People Counting       | Supported  |
| Video & Audio         |  |
| Number of Streams     | 3 Streams  |

|                                   |   |
|-----------------------------------|---|
| Resolution                        | Stream1: 2688×1520, 2560×1440, 2304×1296, 1920×1080, 1280×720<br>Stream2: D1, VGA, CIF<br>Stream3: VGA, CIF, QVGA                                 |
| Frame Rate                        | Up to 25/30fps  |
| Bit Rate Control                  | CBR/VBR   |
| Bit Rate                          | Stream1: 200 Kbps to 12 Mbps<br>Stream2: 100 Kbps to 6 Mbps<br>Stream3: 100 Kbps to 3 Mbps  |
| Smart Encoding                    | Supported   |
| Region of Interest (ROI)          | Off/On (8 areas, Rectangle)   |
| Audio Compression                 | G.711 A-law, G.711 $\mu$ -law, RAW_PCM  |
| Audio Bit Rate                    | 64 Kbps (G.711), 128 Kbps (RAW_PCM)   |
| <b>Image</b>                      |   |
| Image Adjustment                  | Brightness, Sharpness, Contrast, Saturation adjustable  |
| Scene Mode                        | Indoor, Outdoor, Mirror, Corridor Mode  |
| Exposure Mode                     | Auto, Manual, Shutter priority  |
| White Balance                     | Auto, Tungsten, Fluorescent, Daylight, Shadow, Manual   |
| Day/Night Setting                 | Auto, Day, Night, Timer   |
| Noise Reduction                   | 2D/3D DNR   |
| Image Enhancement                 | WDR, HLC, BLC, Defog  |
| Wide Dynamic Range                | True WDR (120dB)  |
| Privacy Masking                   | 4 areas   |
| <b>Event</b>                      |   |
| Alarm Triggers                    | IVS, Motion detection, Alarm input, Network alarm, Disk alarm, Day/Night switch alarm, Abnormal sound detection                                   |
| Event Actions                     | Alarm record, Alarm output, FTP upload, SMTP upload, Snapshot, Audible alarm output, Red and blue light alarm                                     |
| <b>Network</b>                    |   |
| Protocols                         | IPv4/IPv6, HTTP/HTTPS, DNS, DDNS, DHCP, PPPoE, RTSP/ RTCP/RTP, TCP/UDP, NTP, ARP, UPnP, FTP, SMTP, QoS, ICMP, IGMP, SMTP, 802.1x, SNMP, Multicast |
| Application Programming Interface | ONVIF (Profile S/T/G/M), SDK, CGI   |
| Max Concurrent Streams            | 10 channels   |
| User/Host Level                   | 32+ users, 3 user levels: Administrator, Operator, Media user   |
| Web Viewer                        | <IE11, Chrome, Firefox, Microsoft Edge  |
| <b>Security</b>                   |   |
| OS / Firmware Protect             | Encrypted firmware, Signed firmware   |
| User Authentication               | Digest authentication, Prevent brute-force attack   |
| Network Authentication            | IEEE 802.1X (EAP-TLS)   |

|                       |  |
|-----------------------|--|
| Secure Communication  | HTTPS, WSS (WebSocket Secure), SRTP                |
| Access Control        | IP-based access control, Auto logout               |
| Data Protect          | Encryption credentials                             |
| Audit                 | Access / System / Event Log management             |
| Secure Storage        | SDcard partition encrypt (AES-256), Secure element |
| Supply Chain Security | SBOM   |

### Interface

|                     |   |
|---------------------|---|
| Network Interface   | 1 × Ethernet (10/100 Base-T), RJ-45 connector |
| Built-in Microphone | Supported                                     |
| Audio Interface     | 1ch Input, 1ch Output                         |
| Alarm Interface     | 1ch Input, 1ch Output                         |
| SD Card Slot        | Built-in microSD card slot, up to 1 TB        |
| Reset Button        | Supported                                     |
| Power Output        | 12 VDC @ 0.25 A (Supported)                   |

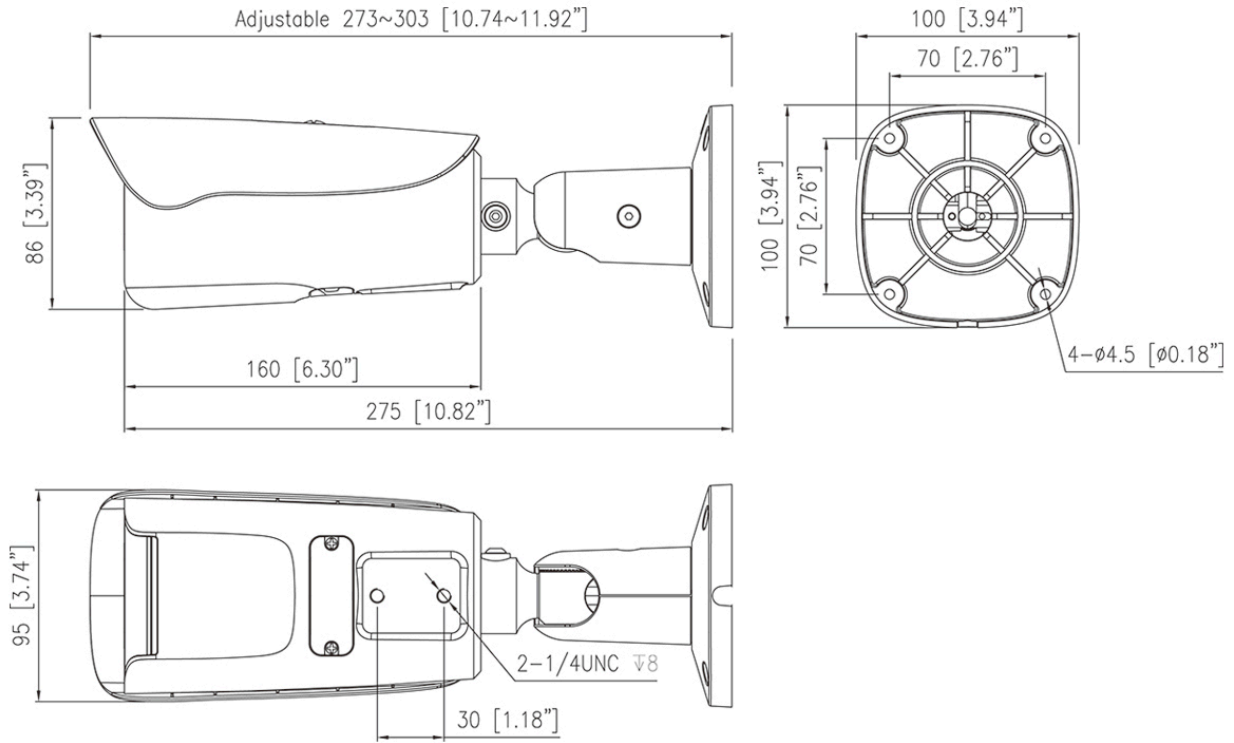
### General

|                       |  |
|-----------------------|--|
| Language              | English, Chinese, Traditional Chinese, Polish, Italian, Portuguese, Spanish, Russian, French, Czech, Hungarian, Japanese, Korean. Default: English |
| Power Supply          | 12 VDC (-15% to +25%) / PoE (802.3af)  |
| Power Consumption     | Typical: 3.5 W (12VDC); approx. 4.7 W (PoE)<br>Max (Warm Light + Red/Blue Lights on): 7.8 W (12 VDC); approx. 9.8 W (PoE)                          |
| Operating Temperature | -40°C to 60°C (-40°F to 140°F)   |
| Operating Humidity    | Less than 95% RH   |
| Ingress Protection    | IP67 (housing)   |
| Certifications        | CE-EMC<br>- EN 55032, EN 55035, EN 50130-4, EN IEC 61000-3-2, EN 61000-3-3<br>FCC 47 CFR Part 15 Subpart B   |
| Material              | Aluminum alloy + plastic   |
| Dimensions            | 303 × 100 × 100 mm (11.9 × 3.94 × 3.94 inch)   |
| Net Weight            | Approx. 1.2 kg (2.65 lb)   |

### DORI Distance (EN62676-4 standard)





|           |   |
|-----------|---|
| Detect    | 4.5 to 8 mm: 69 to 113 m (226.4 to 370.7 ft),<br>8 to 32 mm: 159 to 370 m (521.7 to 1,213.9ft)  |
| Observe   | 4.5 to 8 mm: 27.6 to 45.2 m (90.6 to 148.3 ft),<br>8 to 32 mm: 63.6 to 148 m (208.7 to 485.6ft) |
| Recognize | 4.5 to 8 mm: 13.8 to 22.6 m (45.3 to 74.1 ft),<br>8 to 32 mm: 31.8 to 74 m (104.3 to 242.8 ft)  |
| Identify  | 4.5 to 8 mm: 6.9 to 11.3 m (22.6 to 37.1 ft),<br>8 to 32 mm: 15.9 to 37 m (52.2 to 121.4 ft)    |

## Dimensions (mm)



## Accessories

### Optional:

|   |   |  |   |
|---|---|--|---|
|  |  |  |  |
| <p>IK-AJ45G<br/>Junction Box</p>  | <p>IK-AP27D<br/>Pole Mount</p>  | <p>IK-AP01A<br/>Pole Mount</p>   | <p>IK-ACR02A<br/>Corner Mount</p>   |