

IK-B5862FR-S-VZ

5MP IR Varifocal Bullet Network Camera



Key Features

- 1/2.8" STARVIS™ CMOS
- Max. 5MP(2592×1944) @ 25/30fps resolution
- 2.7 to 12 mm motorized focal lens
- Supports face, human, and vehicle detection & capture.
- Intelligent analytics: Intrusion, smart motion detection, single line crossing, double line crossing, loitering, wrong-way detection, area people limit, perimeter detection, illegal parking, running detection, fall detection, fight detection, and people counting.
- True WDR (120dB), 3D DNR, ROI, Defog, HLC
- Smart IR distance up to 60 m
- Built-in mic and speaker, 1/1 audio input/output, 1/1 alarm input/output
- Built-in microSD card slot (up to 1 TB)
- IP66, IK10 protection

Specifications

Camera	
Image Sensor	1/2.8" Progressive Scan CMOS
Max Resolution	5MP, 2592(H) × 1944(V)
Shutter Speed	1/5 to 1/20,000s
Min Illumination	Color: 0.005 Lux @ (F1.6, AGC ON), B/W: 0.001 Lux @ (F1.6, AGC ON), 0 Lux with IR on
Day & Night	Auto (ICR)
Angle Adjustment	Pan: 0° to 360°, Tilt: 0° to 90°, Rotation: 0° to 360°
Lens	
Lens Type	Varifocal lens, Motorized focal
Focal Length	2.7 to 12 mm, 5 to 50 mm optional
Max. Aperture	F1.6 / F2.0
Field of View (FOV)	2.7 to 12 mm: - H: 94° to 30.5°, V: 68.2° to 22.9° 5 to 50 mm: - H: 46.6° to 7.4°, V: 34.3° to 5.6°
Iris	Auto Iris
Illuminator	
Type	IR
IR wavelength	850 nm
Distance	2.7 to 12 mm: - Up to 60 m (196.9 ft) 5 to 50 mm: - Up to 100 m (328.1 ft)
Control	Auto/Manual
Intelligent Analytics	
AI Multi-Target	- Supports face, human, and vehicle detection & capture - Supports multiple frame modes: Full Frame, Four-Corner Frame, Mosaic
Intelligent Analysis	Intrusion, smart motion detection, single line crossing, double line crossing, loitering, wrong-way detection, area people limit, perimeter detection, illegal parking, running detection, fall detection, and fight detection. - Supports accurate target classification (human/vehicle)
People Counting	Supported
Video & Audio	
Number of Streams	3 Streams

Resolution	Stream1: 2592×1944, 2592×1520, 1920×1080, 1280×720 Stream2: D1, VGA, CIF Stream3: VGA, CIF, QVGA
Frame Rate	Up to 25/30fps
Bit Rate Control	CBR/VBR
Bit Rate	Stream1: 200 Kbps to 12 Mbps Stream2: 100 Kbps to 6 Mbps Stream3: 100 Kbps to 3 Mbps
Smart Encoding	Supported
Region of Interest (ROI)	Off/On (8 Zone, Rectangle)
Audio Compression	G.711 A-law, G.711 μ -law, RAW_PCM
Audio Bit Rate	64 Kbps (G.711), 128 Kbps (RAW_PCM)
Image	
Image Adjustment	Brightness, Sharpness, Contrast, Saturation adjustable
Scene Mode	Indoor, Outdoor, Mirror, Corridor mode
Exposure Mode	Auto, Manual, Shutter priority
White Balance	Auto, Tungsten, Fluorescent, Daylight, Shadow, Manual
Day/Night Setting	Auto, Day, Night, Timer
Noise Reduction	2D/3D DNR
Image Enhancement	HLC, BLC, Defog, WDR
Wide Dynamic Range	True WDR (120dB)
Privacy Masking	4 areas
Event	
Alarm Triggers	IVS, Motion detection, Alarm input, Network alarm, Disk alarm, Day/Night switch alarm, Abnormal sound detection
Event Actions	Alarm record, Alarm output, FTP upload, SMTP upload, Snapshot, Audible alarm output
Network	
Protocols	IPv4/IPv6, HTTP/HTTPS, DNS, DDNS, DHCP, PPPoE, RTSP/ RTCP/RTP, TCP/UDP, NTP, ARP, UPnP, FTP, SMTP, QoS, ICMP, IGMP, SMTP, 802.1x, SNMP, Multicast
Application Programming Interface	ONVIF (Profile S/T/G/M), SDK, CGI
Max Concurrent Streams	10 channels
User/Host Level	32+ users, 3 levels: Administrator, Operator, Media user
Web Viewer	<IE11, Chrome, Firefox, Microsoft Edge
Security	
OS / Firmware Protect	Encrypted firmware, Secure boot, Signed firmware
User Authentication	Digest authentication, Prevent brute-force attack
Network Authentication	IEEE 802.1X (EAP-TLS)

Secure Communication	HTTPS, WSS (WebSocket Secure), SRTP
Access Control	IP-based access control, Auto logout
Data Protect	Encryption credentials
Audit	Access / System / Event Log management
Secure Storage	SDcard partition encrypt (AES-256), Secure element
Supply Chain Security	SBOM

Interface

Network Interface	1 × Ethernet (10/100 Base-T), RJ-45 connector
Built-in Microphone	Supported
Built-in Speaker	Supported
Audio Interface	1ch Input, 1ch Output
Alarm Interface	1ch Input, 1ch Output
SD Card Slot	Built-in microSD card slot, up to 1 TB
Reset Button	Supported

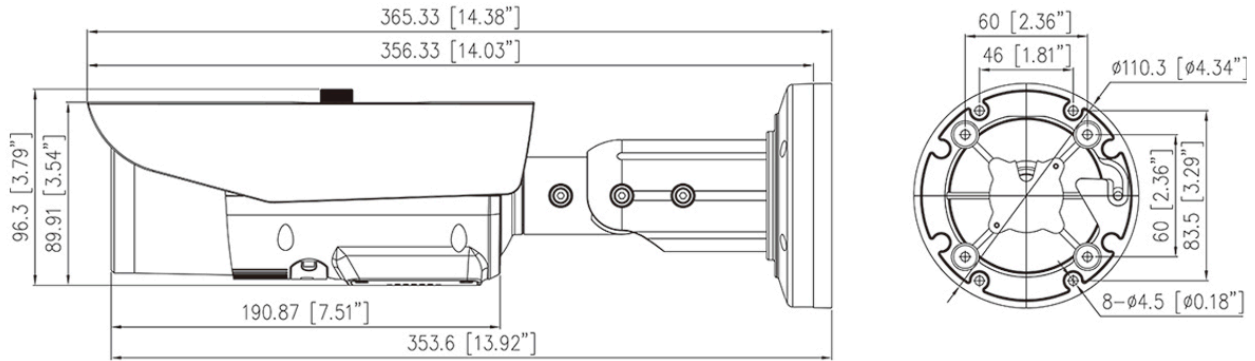
General

Language	English, Chinese, Traditional Chinese, Polish, Italian, Portuguese, Spanish, Russian, French, Czech, Hungarian, Japanese, Korean. Default: English
Power Supply	12 VDC (-10% to +25%) / PoE (802.3af)
Power Consumption	Basic: Max 2.5 W (IR OFF), Max 6 W (IR ON) Max. (Focus + WDR + Speaker + IR on): 12 W
Operating Temperature	-40°C to 60°C (-40°F to 140°F)
Operating Humidity	Less than 95% RH
Ingress Protection	IP66, IK10
Certifications	CE-EMC - EN 55032, EN IEC 61000-6-4, EN IEC 61000-3-2, EN 61000-3-3, EN 55035, EN 50130-4 FCC 47 CFR Part 15 Subpart B
Material	Aluminum alloy
Dimensions	φ110.3 × 365.33 mm (φ4.34 × 14.38 inch)
Net Weight	Approx. 1.45 kg (3.2 lb)

DORI Distance (EN62676-4 standard)

Detect	2.7 to 12 mm: 64 to 196 m (210.0 to 643.0 ft) 5 to 50 mm: 133 to 827 m (436.4 to 2,713.3 ft)
Observe	2.7 to 12 mm: 25.6 to 78.4 m (84.0 to 257.2 ft) 5 to 50 mm: 53.2 to 330 m (174.5 to 1,082.7 ft)
Recognize	2.7 to 12 mm: 12.8 to 39.2 m (42.0 to 128.6 ft) 5 to 50 mm: 26.6 to 165.4 m (87.3 to 542.7 ft)
Identify	2.7 to 12 mm: 6.4 to 19.6 m (21.0 to 64.3 ft) 5 to 50 mm: 13.3 to 82.7 m (43.6 to 271.3 ft)

Dimensions (mm)



Accessories

Optional:



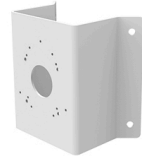
IK-AJ45G
Junction Box



IK-AP27D
Pole Mount



IK-AP01A
Pole Mount



IK-ACR02A
Corner Mount