

IK-B87012FR-Z

8MP IR Motorized Varifocal Bullet Network Camera



Key Features

- 1/2.7" progressive scan CMOS
- Max. 8MP(3840 × 2160) @25fps resolution
- 2.7 to 13.5mm motorized varifocal lens
- Supports face, human, and vehicle detection.
- Intelligent analytics: Intrusion, smart motion detection, single line crossing, double line crossing, loitering, wrong-way detection, illegal parking, and people counting.
- True WDR(120dB), 3D DNR, ROI, HLC, BLC, Defog
- Smart IR distance up to 50 m
- Built-in microphone, 1/1 audio in/out, 1/1 alarm in/out
- Built-in microSD card slot (up to 1 TB)
- IP67, IK10-rated housing

Specifications

| Camera | |
|-----------------------|--|
| Image Sensor | 1/2.7" Progressive Scan CMOS |
| Max Resolution | 8MP, 3840(H) × 2160(V) |
| Shutter Speed | 1/5 to 1/20,000s |
| Min Illumination | Color: 0.01 Lux @ (F1.6, AGC ON), B/W: 0.005 Lux @ (F1.6, AGC ON), 0 Lux with IR on |
| Day & Night | Auto (ICR) |
| Angle Adjustment | Pan: 0° to 360°, Tilt: 0° to 90°, Rotation: 0° to 360° |
| Lens | |
| Lens Type | Motorized lens, motorized focal |
| Focal Length | 2.7 to 13.5 mm |
| Max. Aperture | F1.6 |
| Field of View (FOV) | H: 102.8° to 32.6°, V: 54.5° to 18.3° |
| Iris | Fixed Iris |
| Illuminator | |
| Type | IR |
| IR wavelength | 850 nm |
| Distance | Up to 50 m (164.0 ft) |
| Control | Auto/Manual |
| Intelligent Analytics | |
| AI Multi-Target | Supports face, human, vehicle detection |
| Intelligent Analysis | Intrusion, smart motion detection, single line crossing, double line crossing, loitering, wrong-way detection, and illegal parking. - Supports accurate target classification (human/vehicle) |
| People Counting | Supported |
| Video & Audio | |
| Number of Streams | 3 Streams |
| Resolution | Stream1: 3840×2160, 2880×1620, 2592×1520, 2560×1440, 2304×1296, 1920×1080, 1280×720 Stream2: D1, VGA, CIF Stream3: VGA, CIF, QVGA |
| Frame Rate | Up to 25fps (Enable WDR is 20fps) |
| Bit Rate Control | CBR/VBR |

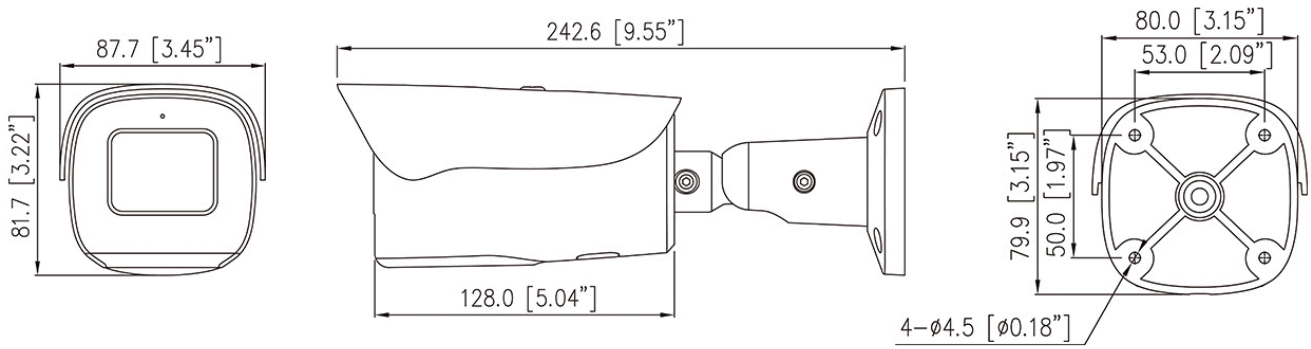
| | |
|-----------------------------------|---|
| Bit Rate | Stream1: 200 Kbps to 16 Mbps Stream2: 100 Kbps to 6 Mbps Stream3: 100 Kbps to 3 Mbps |
| Smart Encoding | Supported |
| Region of Interest (ROI) | Off/On (8 areas, Rectangle) |
| Audio Compression | G.711 A-law, G.711 μ -law, RAW_PCM |
| Audio Bit Rate | 64 Kbps (G.711), 128 Kbps (RAW_PCM) |
| Image | |
| Image Adjustment | Brightness, Sharpness, Contrast, Saturation adjustable |
| Scene Mode | Indoor, Outdoor, Mirror, Corridor mode |
| Exposure Mode | Auto, Manual, Shutter priority |
| White Balance | Auto, Tungsten, Fluorescent, Daylight, Shadow, Manual |
| Day/Night Setting | Auto, Day, Night, Timer |
| Noise Reduction | 2D/3D DNR |
| Image Enhancement | HLC, BLC, Defog, WDR |
| Wide Dynamic Range | True WDR (120dB) |
| Privacy Masking | 4 areas |
| Event | |
| Alarm Triggers | IVS, Motion detection, Alarm input, Network alarm, Disk alarm, Day/Night switch alarm, Abnormal sound detection |
| Event Actions | Alarm record, FTP upload, SMTP upload, Alarm output, Audible alarm output |
| Network | |
| Protocols | IPv4/IPv6, HTTP/HTTPS, DNS, DDNS, DHCP, PPPoE, RTSP/ RTCP/RTP, TCP/UDP, NTP, ARP, UPnP, FTP, SMTP, QoS, ICMP, IGMP, SMTP, 802.1x, SNMP, Multicast |
| Application Programming Interface | ONVIF (Profile S/T/G/M), SDK, CGI |
| Max Concurrent Streams | 10 channels |
| User/Host Level | 32+ users, 3 levels: Administrator, Operator, Media user |
| Web Viewer | <IE11, Chrome, Firefox, Microsoft Edge |
| Security | |
| OS / Firmware Protect | Encrypted firmware, Signed firmware |
| User Authentication | Digest authentication, Prevent brute-force attack |
| Network Authentication | IEEE 802.1X (EAP-TLS) |
| Secure Communication | HTTPS, WSS (WebSocket Secure), SRTP |
| Access Control | IP-based access control, Auto logout |
| Data Protect | Encryption credentials |
| Audit | Access / System / Event Log management |
| Supply Chain Security | SBOM |

| Interface | |
|---------------------|---|
| Network Interface | 1 × Ethernet (10/100 Base-T), RJ-45 connector |
| Built-in Microphone | Supported |
| Audio Interface | 1ch Input, 1ch Output |
| Alarm Interface | 1ch Input, 1ch Output |
| SD Card Slot | Built-in microSD card slot, up to 1 TB |
| Reset Button | Supported |

| General | |
|-----------------------|--|
| Language | English, Chinese, Traditional Chinese, Polish, Italian, Portuguese, Spanish, Russian, French, Czech, Hungarian, Japanese, Korean. Default: English |
| Power Supply | 12 VDC (-15% to +25%)/PoE (802.3af) |
| Power Consumption | Typical: 2.6 W (IR off, 12 VDC) / approx. 3.3 W (PoE) Max: 6.0 W (IR on, 12 VDC) / approx. 7.5 W (PoE) |
| Operating Temperature | -30°C to 60°C (-22°F to 140°F) |
| Operating Humidity | Less than 95% RH |
| Ingress Protection | IP67, IK10 (housing) |
| Certifications | CE-EMC - EN 55032, EN IEC 61000-6-4, EN IEC 61000-3-2, EN 61000-3-3, EN 55035, EN 50130-4 FCC 47 CFR Part 15 Subpart B |
| Material | Aluminum alloy + plastic |
| Dimensions | 242.6 × 87.7 × 81.7 mm (9.55 × 3.45 × 3.22 inch) |
| Net Weight | Approx. 855 g (1.88 lb) |

| DORI Distance (EN62676-4 standard) | |
|------------------------------------|---------------------------------|
| Detect | 96 to 272 m (282.2 to 892.4 ft) |
| Observe | 38.4 to 108.8 m (126 to 357 ft) |
| Recognize | 19.2 to 54.4 m (63 to 178.5 ft) |
| Identify | 9.6 to 27.2 m (31.5 to 89.2 ft) |

Dimensions (mm)



Accessories

Optional:



IK-AJ56A
Junction Box



IK-AP27D
Pole Mount