

IK-B8703NR-B

8MP IR Bullet Network Camera



Key Features

- 1/2.7" progressive scan CMOS
- Max. 8MP(3840 × 2160) @25fps resolution
- Supports face, human, and vehicle detection.
- Intelligent analytics: Intrusion, smart motion detection, single line crossing, double line crossing, loitering, wrong-way detection, illegal parking, and people counting.
- True WDR(120dB), 3D DNR, ROI, HLC, BLC, Defog
- Built-in microphone and microSD card slot (up to 1 TB)
- Smart IR distance up to 30m
- IP67-rated housing

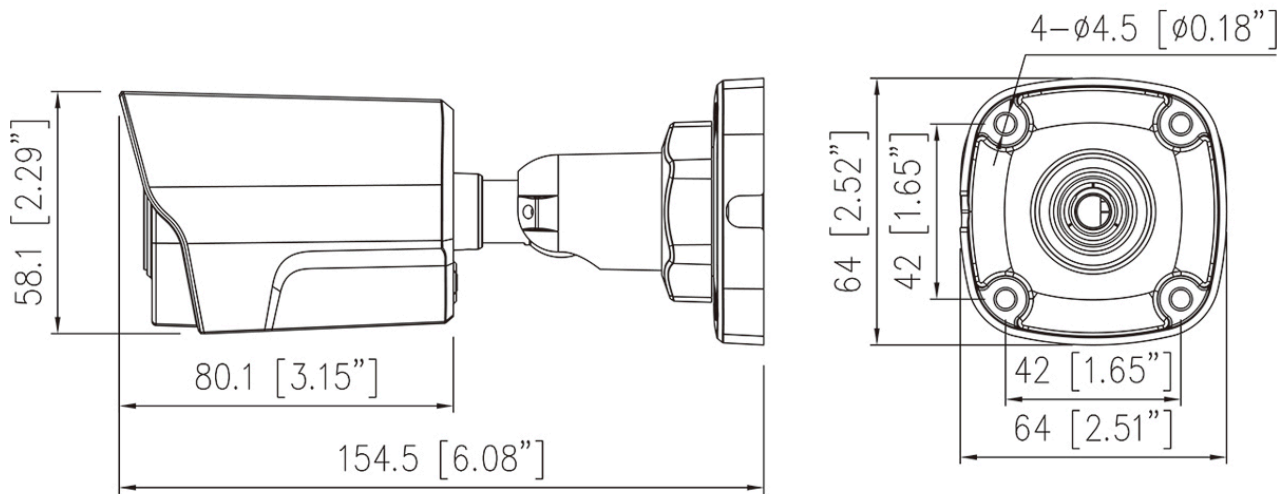
Specifications

Camera	
Image Sensor	1/2.7" Progressive Scan CMOS
Max Resolution	8MP, 3840(H) × 2160(V)
Shutter Speed	1/5 to 1/20,000s
Min Illumination	Color: 0.01 Lux @ (F1.6, AGC ON), B/W: 0.005 Lux @ (F1.6, AGC ON), 0 Lux with IR on
Day & Night	Auto (ICR)
Angle Adjustment	Pan: 0° to 360°, Tilt: 0° to 90°, Rotation: 0° to 360°
Lens	
Lens Type	Fixed lens, fixed focal
Focal Length	2.8 mm, 4 mm
Max. Aperture	F2.0 / F1.6
Field of View (FOV)	2.8 mm - H: 105°, V: 56° 4 mm - H: 91.5°, V: 46.3°
Iris	Fixed Iris
Illuminator	
Type	IR
IR wavelength	850 nm
Distance	Up to 30 m (98.4 ft)
Control	Auto/Manual
Intelligent Analytics	
AI Multi-Target	Supports face, human, vehicle detection
Intelligent Analysis	Intrusion, smart motion detection, single line crossing, double line crossing, loitering, wrong-way detection, and illegal parking. - Supports accurate target classification (human/vehicle)
People Counting	Supported
Video & Audio	
Number of Streams	3 Streams
Resolution	Stream1: 3840×2160, 2880×1620, 2592×1520, 2560×1440, 2304×1296, 1920×1080, 1280×720 Stream2: D1, VGA, CIF Stream3: VGA, CIF, QVGA
Frame Rate	Up to 25fps (Enable WDR is 20fps)
Bit Rate Control	CBR/VBR

Bit Rate	Stream1: 200 Kbps to 16 Mbps Stream2: 100 Kbps to 6 Mbps Stream3: 100 Kbps to 3 Mbps
Smart Encoding	Supported
Region of Interest (ROI)	Off/On (8 areas, Rectangle)
Audio Compression	G.711 A-law, G.711 μ -law, RAW_PCM
Audio Bit Rate	64 Kbps (G.711), 128 Kbps (RAW_PCM)
Image	
Image Adjustment	Brightness, Sharpness, Contrast, Saturation adjustable
Scene Mode	Indoor, Outdoor, Mirror, Corridor mode
Exposure Mode	Auto, Manual, Shutter priority
White Balance	Auto, Tungsten, Fluorescent, Daylight, Shadow, Manual
Day/Night Setting	Auto, Day, Night, Timer
Noise Reduction	2D/3D DNR
Image Enhancement	HLC, BLC, Defog, WDR
Wide Dynamic Range	True WDR (120dB)
Privacy Masking	4 areas
Event	
Alarm Triggers	IVS, Motion detection, Network alarm, Disk alarm, Day/Night switch alarm, Abnormal sound detection
Event Actions	Alarm record, FTP upload, SMTP upload
Network	
Protocols	IPv4/IPv6, HTTP/HTTPS, DNS, DDNS, DHCP, PPPoE, RTSP/ RTP/RTCP, TCP/UDP, NTP, ARP, UPnP, FTP, SMTP, QoS, ICMP, IGMP, SMTP, 802.1x, SNMP, Multicast
Application Programming Interface	ONVIF (Profile S/T/G/M), SDK, CGI
Max Concurrent Streams	10 channels
User/Host Level	32+ users, 3 levels: Administrator, Operator, Media user
Web Viewer	<IE11, Chrome, Firefox, Microsoft Edge
Security	
OS / Firmware Protect	Encrypted firmware, Signed firmware
User Authentication	Digest authentication, Prevent brute-force attack
Network Authentication	IEEE 802.1X (EAP-TLS)
Secure Communication	HTTPS, WSS (WebSocket Secure), SRTP
Access Control	IP-based access control, Auto logout
Data Protect	Encryption credentials
Audit	Access / System / Event Log management
Supply Chain Security	SBOM

Interface	
Network Interface	1 × Ethernet (10/100 Base-T), RJ-45 connector
Built-in Microphone	Supported
SD Card Slot	Built-in microSD card slot, up to 1 TB
Reset Button	Supported
General	
Language	English, Chinese, Traditional Chinese, Polish, Italian, Portuguese, Spanish, Russian, French, Czech, Hungarian, Japanese, Korean. Default: English
Power Supply	12 VDC (-15% to +25%)/PoE (802.3af)
Power Consumption	Typical: 2.0 W (IR off, 12 VDC) / approx. 2.5 W (PoE) Max: 4.5 W (IR on, 12 VDC) / approx. 5.7 W (PoE)
Operating Temperature	-30°C to 60°C (-22°F to 140°F)
Operating Humidity	Less than 95% RH
Ingress Protection	IP67 (housing)
Certifications	CE-EMC - EN 55032, EN IEC 61000-6-3, EN IEC 61000-3-2, EN 61000-3-3, EN 55035, EN 50130-4 FCC 47 CFR Part 15 Subpart B
Material	Aluminum alloy
Dimensions	154.5 × 64 × 64 mm (6.08 × 2.52 × 2.52 inch)
Net Weight	Approx. 405 g (0.893 lb)
DORI Distance (EN62676-4 standard)	
Detect	2.8 mm: 89 m (292 ft) / 4 mm: 113 m (370.7 ft)
Observe	2.8 mm: 35.6 m (116.8 ft) / 4 mm: 45.2 m (148.3 ft)
Recognize	2.8 mm: 17.8 m (58.4 ft) / 4 mm: 22.6 m (74.1 ft)
Identify	2.8 mm: 8.9 m (29.2 ft) / 4 mm: 11.3 m (37.1 ft)

Dimensions (mm)



Accessories

Optional:



IK-AJ56A
Junction Box



IK-AP27D
Pole Mount