

# IK-B88012FR-Z

8MP IR Motorized Varifocal Bullet Network Camera



## Key Features

- 1/2.8" STARVIS™ CMOS
- Max. 8MP(3840 × 2160) @25/30 fps resolution
- Supports face, human, and vehicle detection & capture.
- Supports human and vehicle attribute detection.
- Intelligent analytics: Intrusion, smart motion detection, single line crossing, double line crossing, loitering, wrong-way detection, area people limit, perimeter detection, illegal parking, running detection, fall detection, fight detection, and people counting.
- True WDR (120dB), 3D DNR, ROI, Defog, HLC
- Smart IR distance up to 50 m
- Built-in microphone, 1/1 audio input/output, 1/1 alarm input/output
- Built-in microSD card slot
- IP67, IK10-rated housing

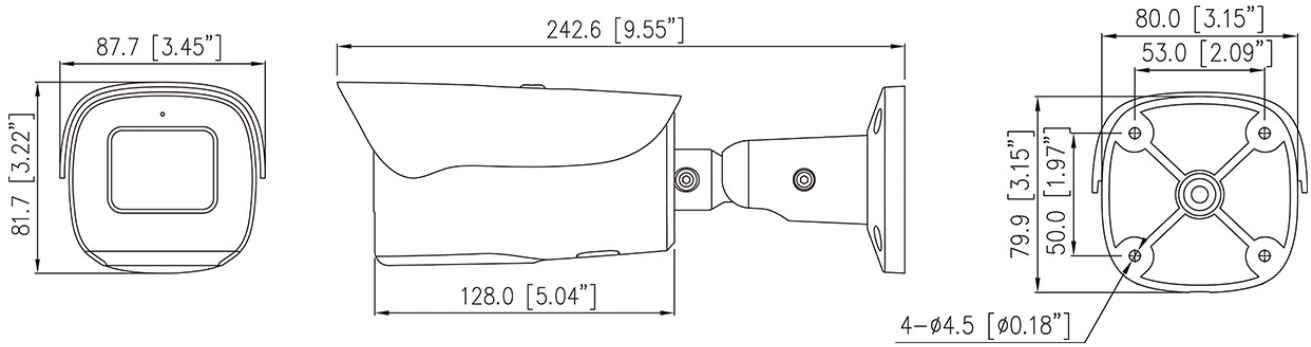
## Specifications

| Camera                |  |
|-----------------------|--|
| Image Sensor          | 1/2.8" Progressive Scan CMOS   |
| Max Resolution        | 8MP, 3840(H) × 2160(V)   |
| Shutter Speed         | 1/5 to 1/20,000s   |
| Min Illumination      | Color: 0.01 Lux @ (F1.6, AGC ON),<br>B/W: 0.005 Lux @ (F1.6, AGC ON), 0 Lux with IR on   |
| Day & Night           | Auto (ICR)   |
| Angle Adjustment      | Pan: 0° to 360°, Tilt: 0° to 90°, Rotation: 0° to 360°   |
| Lens                  |  |
| Lens Type             | Varifocal lens, Motorized focal  |
| Focal Length          | 2.7 to 13.5 mm   |
| Max. Aperture         | F1.6   |
| Field of View (FOV)   | H: 102.7° to 30.2°, V: 53.8° to 16.8°  |
| Iris                  | Fixed Iris   |
| Illuminator           |  |
| Type                  | IR   |
| IR wavelength         | 850 nm   |
| Distance              | Up to 50 m (164.0 ft)  |
| Control               | Auto/Manual  |
| Intelligent Analytics |  |
| AI Multi-Target       | <ul style="list-style-type: none"> <li>- Supports face, human, and vehicle detection &amp; capture.</li> <li>- Supports human and vehicle attribute detection.</li> <li>- Supports multiple frame modes: Full Frame, Four-Corner Frame, Mosaic.</li> </ul>   |
| Attribute Extraction  | Human Attributes: Gender, age, glasses, hat, bag, upper clothing color & style, lower clothing color & style, reflective vest.<br>Vehicle Attributes: Type, color, brand, orientation.   |
| Intelligent Analysis  | Intrusion detection, smart motion detection, single line crossing, double line crossing, loitering, wrong-way detection, area people limit, perimeter detection, illegal parking, running detection, fall detection, fight detection.<br>- Supports accurate target classification (human/vehicle) |
| People Counting       | Supported  |
| Video & Audio         |  |
| Number of Streams     | 3 Streams  |
| Resolution            | Stream1: 3840×2160, 2592×1944, 2592×1520, 2560×1440, 2304×1296, 1920×1080, 1280×720<br>Stream2: D1, VGA, CIF<br>Stream3: VGA, CIF, QVGA  |

|                                   |   |
|-----------------------------------|---|
| Frame Rate                        | Up to 25/30fps  |
| Bit Rate Control                  | CBR/VBR   |
| Bit Rate                          | Stream1: 200 Kbps to 16 Mbps<br>Stream2: 100 Kbps to 6 Mbps<br>Stream3: 100 Kbps to 3 Mbps  |
| Smart Encoding                    | Supported   |
| Region of Interest (ROI)          | Off/On (8 areas, Rectangle)   |
| Audio Compression                 | G.711 A-law, G.711 $\mu$ -law, RAW_PCM  |
| Audio Bit Rate                    | 64 Kbps (G.711), 128 Kbps (RAW_PCM)   |
| <b>Image</b>                      |   |
| Image Adjustment                  | Brightness, Sharpness, Contrast, Saturation adjustable  |
| Scene Mode                        | Indoor, Outdoor, Mirror, Corridor mode  |
| Exposure Mode                     | Auto, Manual, Shutter priority  |
| White Balance                     | Auto, Tungsten, Fluorescent, Daylight, Shadow, Manual   |
| Day/Night Setting                 | Auto, Day, Night, Timer   |
| Noise Reduction                   | 2D/3D DNR   |
| Image Enhancement                 | WDR, HLC, BLC, Defog  |
| Wide Dynamic Range                | True WDR (120dB)  |
| Privacy Masking                   | 4 areas   |
| <b>Event</b>                      |   |
| Alarm Triggers                    | IVS, Motion detection, Alarm input, Network alarm, Disk alarm, Day/Night switch alarm, Abnormal sound detection                                   |
| Event Actions                     | Alarm record, SMTP upload, FTP upload, Alarm output, Snapshot, Audible alarm output   |
| <b>Network</b>                    |   |
| Protocols                         | IPv4/IPv6, HTTP/HTTPS, DNS, DDNS, DHCP, PPPoE, RTSP/ RTCP/RTP, TCP/UDP, NTP, ARP, UPnP, FTP, SMTP, QoS, ICMP, IGMP, SMTP, 802.1x, SNMP, Multicast |
| Application Programming Interface | ONVIF (Profile S/T/G/M), SDK, CGI   |
| Max Concurrent Streams            | 10 channels   |
| User/Host Level                   | 32+ users, 3 levels: Administrator, Operator, Media user  |
| Web Viewer                        | <IE11, Chrome, Firefox, Microsoft Edge  |
| <b>Security</b>                   |   |
| OS / Firmware Protect             | Encrypted firmware, Signed firmware   |
| User Authentication               | Digest authentication, Prevent brute-force attack   |
| Network Authentication            | IEEE 802.1X (EAP-TLS)   |
| Secure Communication              | HTTPS, WSS (WebSocket Secure), SRTP   |
| Access Control                    | IP-based access control, Auto logout  |
| Data Protect                      | Encryption credentials  |

|   |  |
|---|--|
| Audit                                     | Access / System / Event Log management   |
| Secure Storage                            | SDcard partition encrypt(AES-256), Secure element  |
| Supply Chain Security                     | SBOM   |
| <b>Interface</b>                          |  |
| Network Interface                         | 1 × Ethernet (10/100 Base-T), RJ-45 connector  |
| Built-in Microphone                       | Supported  |
| Audio Interface                           | 1ch Input, 1ch Output  |
| Alarm Interface                           | 1ch Input, 1ch Output  |
| SD Card Slot                              | Built-in, up to 256GB  |
| Reset Button                              | Supported  |
| <b>General</b>                            |  |
| Language                                  | English, Chinese, Traditional Chinese, Polish, Italian, Portuguese, Spanish, Russian, French, Czech, Hungarian, Japanese, Korean. Default: English |
| Power Supply                              | 12 VDC (-15% to +25%)/PoE (802.3af)  |
| Power Consumption                         | Max 10 W   |
| Operating Temperature                     | -40°C to 55°C (-40°F to 131°F )  |
| Operating Humidity                        | Less than 95% RH   |
| Ingress Protection                        | IP67, IK10 (housing)   |
| Certifications                            | CE-EMC<br>- EN 55032, EN IEC 61000-6-3, EN IEC 61000-3-2, EN 61000-3-3, EN 55035, EN 50130-4<br>FCC 47 CFR Part 15 Subpart B                       |
| Material                                  | Aluminum alloy + Plastic   |
| Dimensions                                | 242.6 × 87.7 × 81.7 mm (9.55 × 3.45 × 3.22 inch)   |
| Net Weight                                | Approx. 0.87 kg (1.92 lb)  |
| <b>DORI Distance (EN62676-4 standard)</b> |  |
| Detect                                    | 88 to 280 m (288.7 to 918.6 ft)  |
| Observe                                   | 35.2 to 112 m (115.5 to 367.5 ft)  |
| Recognize                                 | 17.6 to 56 m (57.7 to 183.7 ft)  |
| Identify                                  | 8.8 to 28 m (28.9 to 91.9 ft)  |

## Dimensions (mm)



## Accessories

### Optional:



IK-AJ56A  
Junction Box



IK-AP27D  
Pole Mount