

IK-B8807FS-B

8MP Smart Dual Illumination Bullet Network Camera



Key Features

- 1/2.8" STARVIS™ CMOS
- Max. 8MP(3840 × 2160) @25/30 fps resolution
- Supports face, human, and vehicle detection & capture.
- Supports human and vehicle attribute detection.
- Intelligent analytics: Intrusion, smart motion detection, single line crossing, double line crossing, loitering, wrong-way detection, area people limit, perimeter detection, illegal parking, running detection, fall detection, fight detection, and people counting.
- True WDR (120dB), 3D DNR, ROI, Defog, HLC
- Built-in IR LED and warm lights, illumination distance up to 50m
- Built-in mic and speaker, 1/1 audio input/output, 1/1 alarm input/output
- Built-in microSD card slot
- IP66 protection

Specifications

Camera	
Image Sensor	1/2.8" Progressive Scan CMOS
Max Resolution	8MP, 3840(H) × 2160(V)
Shutter Speed	1/5 to 1/20,000s
Min Illumination	Color: 0.01 Lux @ (F1.6, AGC ON), B/W: 0.005 Lux @ (F1.6, AGC ON), 0 Lux with IR on
Day & Night	Auto (ICR)
Angle Adjustment	Pan: 0° to 360°, Tilt: 0° to 90°, Rotation: 0° to 360°
Lens	
Lens Type	Fixed lens, Fixed focal
Focal Length	2.8 mm, 4 mm optional
Max. Aperture	F2.0 / F1.6
Field of View (FOV)	2.8 mm: - H: 103.3°, V: 55.7° 4 mm: - H: 88.0°, V: 44.8°
Iris	Fixed Iris
Illuminator	
Type	IR, Warm light
IR wavelength	850 nm
Distance	IR distance up to 50 m (164.0 ft) Warm distance up to 40 m (131.2 ft)
Control	IR mode, White mode, Intelligent mode, None
Intelligent Analytics	
AI Multi-Target	- Supports face, human, and vehicle detection & capture. - Supports human and vehicle attribute detection. - Supports multiple frame modes: Full Frame, Four-Corner Frame, Mosaic.
Attribute Extraction	Human Attributes: Gender, age, glasses, hat, bag, upper clothing color & style, lower clothing color & style, reflective vest. Vehicle Attributes: Type, color, brand, orientation.
Intelligent Analysis	Intrusion detection, smart motion detection, single line crossing, double line crossing, loitering, wrong-way detection, area people limit, perimeter detection, illegal parking, running detection, fall detection, fight detection. - Supports accurate target classification (human/vehicle)
People Counting	Supported
Video & Audio	
Number of Streams	3 Streams

Resolution	Stream1: 3840×2160, 2592×1944, 2592×1520, 2560×1440, 2304×1296, 1920×1080, 1280×720 Stream2: D1, VGA, CIF Stream3: VGA, CIF, QVGA
Frame Rate	Up to 25/30fps
Bit Rate Control	CBR/VBR
Bit Rate	Stream1: 200 Kbps to 16 Mbps Stream2: 100 Kbps to 6 Mbps Stream3: 100 Kbps to 3 Mbps
Smart Encoding	Supported
Region of Interest (ROI)	Off/On (8 areas, Rectangle)
Audio Compression	G.711 A-law, G.711 μ-law, RAW_PCM
Audio Bit Rate	64 Kbps (G.711), 128 Kbps (RAW_PCM)
Image	
Image Adjustment	Brightness, Sharpness, Contrast, Saturation adjustable
Scene Mode	Indoor, Outdoor, Mirror, Corridor mode
Exposure Mode	Auto, Manual, Shutter priority
White Balance	Auto, Tungsten, Fluorescent, Daylight, Shadow, Manual
Day/Night Setting	Auto, Day, Night, Timer
Noise Reduction	2D/3D DNR
Image Enhancement	WDR, HLC, BLC, Defog
Wide Dynamic Range	True WDR (120dB)
Privacy Masking	4 areas
Event	
Alarm Triggers	IVS, Motion detection, Alarm input, Network alarm, Disk alarm, Day/Night switch alarm, Abnormal sound detection
Event Actions	Alarm record, SMTP upload, FTP upload, Alarm output, Snapshot, Audible alarm output
Network	
Protocols	IPv4/IPv6, HTTP/HTTPS, DNS, DDNS, DHCP, PPPoE, RTSP/ RTP/RTCP, TCP/UDP, NTP, ARP, UPnP, FTP, SMTP, QoS, ICMP, IGMP, SNMP, 802.1x, SNMP, Multicast
Application Programming Interface	ONVIF (Profile S/T/G/M), SDK, CGI
Max Concurrent Streams	10 channels
User/Host Level	32+ users, 3 levels: Administrator, Operator, Media user
Web Viewer	<IE11, Chrome, Firefox, Microsoft Edge
Security	
OS / Firmware Protect	Encrypted firmware, Signed firmware
User Authentication	Digest authentication, Prevent brute-force attack
Network Authentication	IEEE 802.1X (EAP-TLS)

Secure Communication	HTTPS, WSS (WebSocket Secure), SRTP
Access Control	IP-based access control, Auto logout
Data Protect	Encryption credentials
Audit	Access / System / Event Log management
Secure Storage	SDcard partition encrypt(AES-256), Secure element
Supply Chain Security	SBOM

Interface

Network Interface	1 × Ethernet (10/100 Base-T), RJ-45 connector
Built-in Microphone	Supported
Built-in Speaker	Supported
Audio Interface	1ch Input, 1ch Output
Alarm Interface	1ch Input, 1ch Output
SD Card Slot	Built-in, up to 256GB
Reset Button	Supported

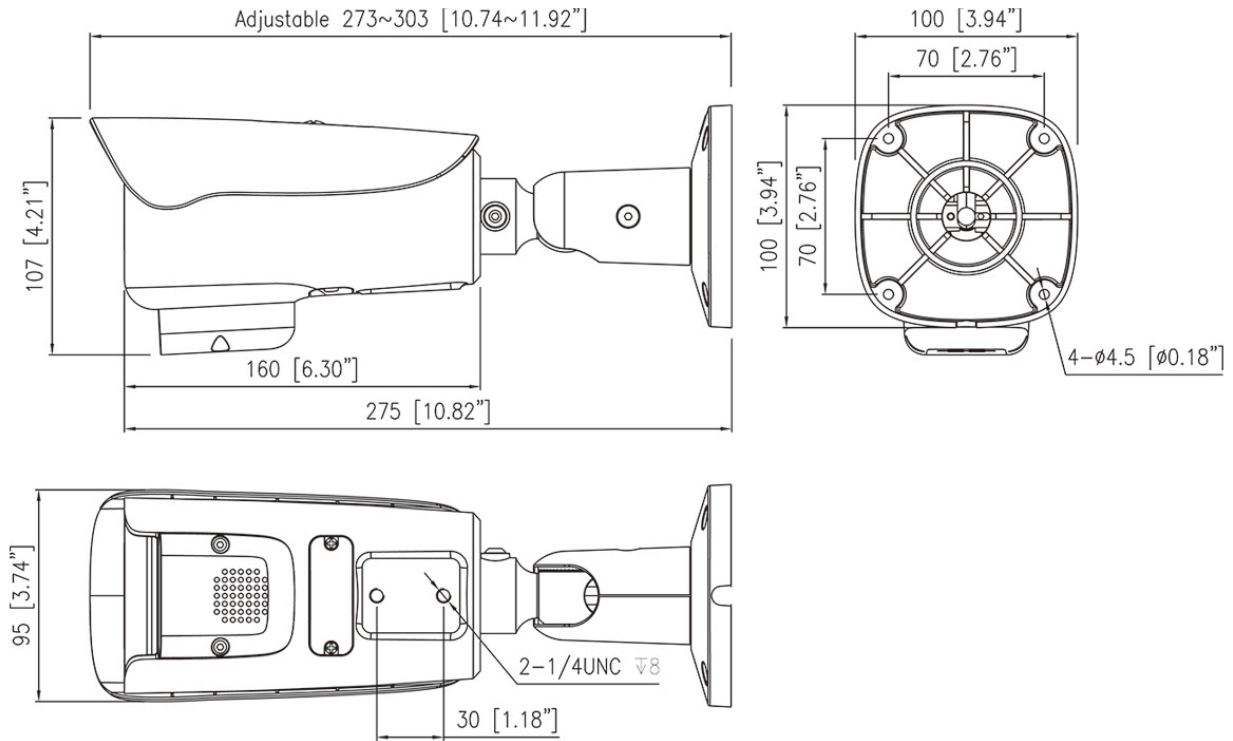
General

Language	English, Chinese, Traditional Chinese, Polish, Italian, Portuguese, Spanish, Russian, French, Czech, Hungarian, Japanese, Korean. Default: English
Power Supply	12 VDC (-15% to +25%)/PoE (802.3af)
Power Consumption	Max 12.5 W
Operating Temperature	-40°C to 55°C (-40°F to 131°F)
Operating Humidity	Less than 95% RH
Ingress Protection	IP66
Certifications	CE-EMC - EN 55032, EN IEC 61000-6-3, EN IEC 61000-3-2, EN 61000-3-3, EN 55035, EN 50130-4 FCC 47 CFR Part 15 Subpart B
Material	Aluminum alloy + plastic
Dimensions	303 × 100 × 107 mm (11.9 × 3.94 × 4.21 inch)
Net Weight	Approx. 1.25 kg (2.76 lb)

DORI Distance (EN62676-4 standard)

Detect	2.8 mm: 88 m (288.7 ft) 4 mm: 112 m (367.5 ft)
Observe	2.8 mm: 35.2 m (115.5 ft) 4 mm: 44.8 m (147 ft)
Recognize	2.8 mm: 17.6 m (57.7 ft) 4 mm: 22.4 m (73.5 ft)
Identify	2.8 mm: 8.8 m (28.9 ft) 4 mm: 11.2 m (36.7 ft)

Dimensions (mm)



Accessories

Optional:



IK-AJ45G
Junction Box



IK-AP27D
Pole Mount



IK-AP01A
Pole Mount



IK-ACR02A
Corner Mount