

# IK-D5862FR-Z

5MP IR Varifocal Dome Network Camera



## Key Features

- 1/2.8" STARVIS™ CMOS
- Max. 5MP (2592×1944) @25/30fps resolution
- 2.7 to 13.5 mm motorized focal lens
- Supports face, human, and vehicle detection & capture.
- Intelligent analytics: Intrusion, smart motion detection, single line crossing, double line crossing, loitering, wrong-way detection, area people limit, perimeter detection, illegal parking, running detection, fall detection, fight detection, and people counting.
- True WDR (120dB), 3D DNR, ROI, Defog, HLC
- Smart IR distance up to 40 m
- 1/1 audio input/output, 1/1 alarm input/output
- Built-in microSD card slot (up to 1 TB)
- IP67, IK10-rated housing

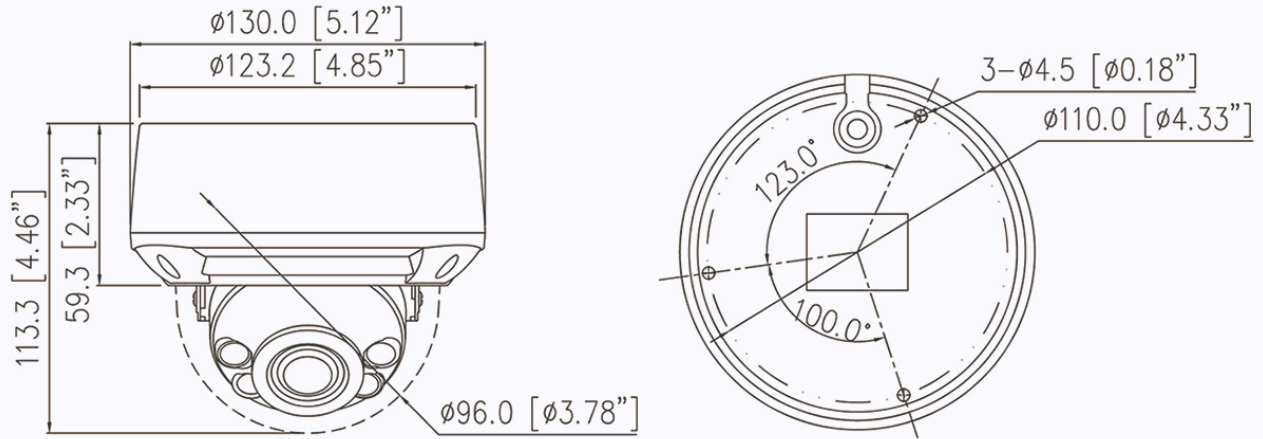
## Specifications

| Camera                |  |
|-----------------------|--|
| Image Sensor          | 1/2.8" Progressive Scan CMOS   |
| Max Resolution        | 5MP, 2592(H) × 1944(V)   |
| Shutter Speed         | 1/5 to 1/20,000s   |
| Min Illumination      | Color: 0.005 Lux @ (F1.6, AGC ON),<br>B/W: 0.001 Lux @ (F1.6, AGC ON), 0 Lux with IR on  |
| Day & Night           | Auto (ICR)   |
| Angle Adjustment      | Pan: 0° to 355°, Tilt: 0° to 75°, Rotation: 0° to 355°   |
| Lens                  |  |
| Lens Type             | Varifocal lens, Motorized focal  |
| Focal Length          | 2.7 to 13.5 mm   |
| Max. Aperture         | F1.6   |
| Field of View (FOV)   | H: 98.3° to 27.5°, V: 71.3° to 20.3°   |
| Iris                  | Fixed Iris   |
| Illuminator           |  |
| Type                  | IR   |
| IR wavelength         | 850 nm   |
| Distance              | Up to 40 m (131.2 ft)  |
| Control               | Auto/Manual  |
| Intelligent Analytics |  |
| AI Multi-Target       | - Supports face, human, and vehicle detection & capture<br>- Supports multiple frame modes: Full Frame, Four-Corner Frame, Mosaic  |
| Intelligent Analysis  | Intrusion, smart motion detection, single line crossing, double line crossing, loitering, wrong-way detection, area people limit, perimeter detection, illegal parking, running detection, fall detection, and fight detection.<br>- Supports accurate target classification (human/vehicle) |
| People Counting       | Supported  |
| Video & Audio         |  |
| Number of Streams     | 3 Streams  |
| Resolution            | Stream1: 2592×1944, 2592×1520, 1920×1080, 1280×720<br>Stream2: D1, VGA, CIF<br>Stream3: VGA, CIF, QVGA   |
| Frame Rate            | Up to 25/30fps   |
| Bit Rate Control      | CBR/VBR  |

|                                   |   |
|-----------------------------------|---|
| Bit Rate                          | Stream1: 200 Kbps to 12 Mbps<br>Stream2: 100 Kbps to 6 Mbps<br>Stream3: 100 Kbps to 3 Mbps  |
| Smart Encoding                    | Supported   |
| Region of Interest (ROI)          | Off/On (8 Zone, Rectangle)  |
| Audio Compression                 | G.711 A-law, G.711 $\mu$ -law, RAW_PCM  |
| Audio Bit Rate                    | 64 Kbps (G.711), 128 Kbps (RAW_PCM)   |
| <b>Image</b>                      |   |
| Image Adjustment                  | Brightness, Sharpness, Contrast, Saturation adjustable  |
| Scene Mode                        | Indoor, Outdoor, Mirror, Corridor mode  |
| Exposure Mode                     | Auto, Manual, Shutter priority  |
| White Balance                     | Auto, Tungsten, Fluorescent, Daylight, Shadow, Manual   |
| Day/Night Setting                 | Auto, Day, Night, Timer   |
| Noise Reduction                   | 2D/3D DNR   |
| Image Enhancement                 | HLC, BLC, Defog, WDR  |
| Wide Dynamic Range                | True WDR (120dB)  |
| Privacy Masking                   | 4 areas   |
| <b>Event</b>                      |   |
| Alarm Triggers                    | IVS, Motion detection, Alarm input, Network alarm, Disk alarm, Day/Night switch alarm, Abnormal sound detection                                   |
| Event Actions                     | Alarm record, Alarm output, FTP upload, SMTP upload, Snapshot, Audible alarm output   |
| <b>Network</b>                    |   |
| Protocols                         | IPv4/IPv6, HTTP/HTTPS, DNS, DDNS, DHCP, PPPoE, RTSP/ RTP/RTCP, TCP/UDP, NTP, ARP, UPnP, FTP, SMTP, QoS, ICMP, IGMP, SMTP, 802.1x, SNMP, Multicast |
| Application Programming Interface | ONVIF (Profile S/T/G/M), SDK, CGI   |
| Max Concurrent Streams            | 10 channels   |
| User/Host Level                   | 32+ users, 3 levels: Administrator, Operator, Media user  |
| Web Viewer                        | <IE11, Chrome, Firefox, Microsoft Edge  |
| <b>Security</b>                   |   |
| OS / Firmware Protect             | Encrypted firmware, Secure boot, Signed firmware  |
| User Authentication               | Digest authentication, Prevent brute-force attack   |
| Network Authentication            | IEEE 802.1X (EAP-TLS)   |
| Secure Communication              | HTTPS, WSS (WebSocket Secure), SRTP   |
| Access Control                    | IP-based access control, Auto logout  |
| Data Protect                      | Encryption credentials  |
| Audit                             | Access / System / Event Log management  |
| Secure Storage                    | SDcard partition encrypt (AES-256), Secure element  |

|   |  |
|---|--|
| Supply Chain Security                     | SBOM   |
| <b>Interface</b>                          |  |
| Network Interface                         | 1 × Ethernet (10/100 Base-T), RJ-45 connector  |
| Audio Interface                           | 1ch Input, 1ch Output  |
| Alarm Interface                           | 1ch Input, 1ch Output  |
| SD Card Slot                              | Built-in microSD card slot, up to 1 TB   |
| Reset Button                              | Supported  |
| <b>General</b>                            |  |
| Language                                  | English, Chinese, Traditional Chinese, Polish, Italian, Portuguese, Spanish, Russian, French, Czech, Hungarian, Japanese, Korean. Default: English |
| Power Supply                              | 12 VDC (-10% to +25%)/PoE (802.3af)  |
| Power Consumption                         | Max 6.5 W  |
| Operating Temperature                     | -40°C to 60°C (-40°F to 140°F )  |
| Operating Humidity                        | Less than 95% RH   |
| Ingress Protection                        | IP67 (housing), IK10   |
| Certifications                            | CE-EMC<br>- EN 55032, EN IEC 61000-6-4, EN IEC 61000-3-2, EN 61000-3-3, EN 55035, EN 50130-4<br>FCC 47 CFR Part 15 Subpart B                       |
| Material                                  | Aluminum alloy body, bubble: plastic   |
| Dimensions                                | φ130 × 113.3 mm (φ5.12 × 4.46 inch)  |
| Net Weight                                | Approx. 787 g (1.74 lb)  |
| <b>DORI Distance (EN62676-4 standard)</b> |  |
| Detect                                    | 63 to 217 m (206.7 to 711.9 ft)  |
| Observe                                   | 25.2 to 86.8 m (82.7 to 284.8 ft)  |
| Recognize                                 | 12.6 to 43.4 m (41.3 to 142.4 ft)  |
| Identify                                  | 6.3 to 21.7 m (20.7 to 71.2 ft)  |

## Dimensions (mm)



## Accessories

### Optional:

|   |   |  |  |
|---|---|--|--|
|  |  |  |   |
| IK-AJ57<br>Junction Box   | IK-ACC01<br>Pendant Cap   | IK-AC02<br>Ceiling Mount   | IK-AW01<br>Wall Mount  |
|  |  |  |  <span style="border: 1px solid black; border-radius: 5px; padding: 2px;">Mic Affected</span> |
| IK-AW02<br>Wall Mount   | IK-AP01<br>Pole Mount   | IK-ACR02<br>Corner Mount   | IK-AF01<br>Recessed Mount  |