

IK-D61203NS-B

12MP Smart Dual Illumination Dome Network Camera



Key Features

- 1/2.5" progressive scan CMOS
- Max. 12MP(4512 × 2512) @20fps resolution
- Supports face, human, and vehicle detection & capture.
- Intelligent analytics: Intrusion, smart motion detection, single line crossing, double line crossing, loitering, wrong-way detection, illegal parking, area people limit, perimeter detection, and people counting.
- True WDR(120dB), 3D DNR, ROI, HLC, BLC, Defog
- Built-in microphone and SD card slot, up to 1TB microSD card
- Built-in IR and warm LEDs, illumination distance up to 30m
- IP67, IK10-rated housing

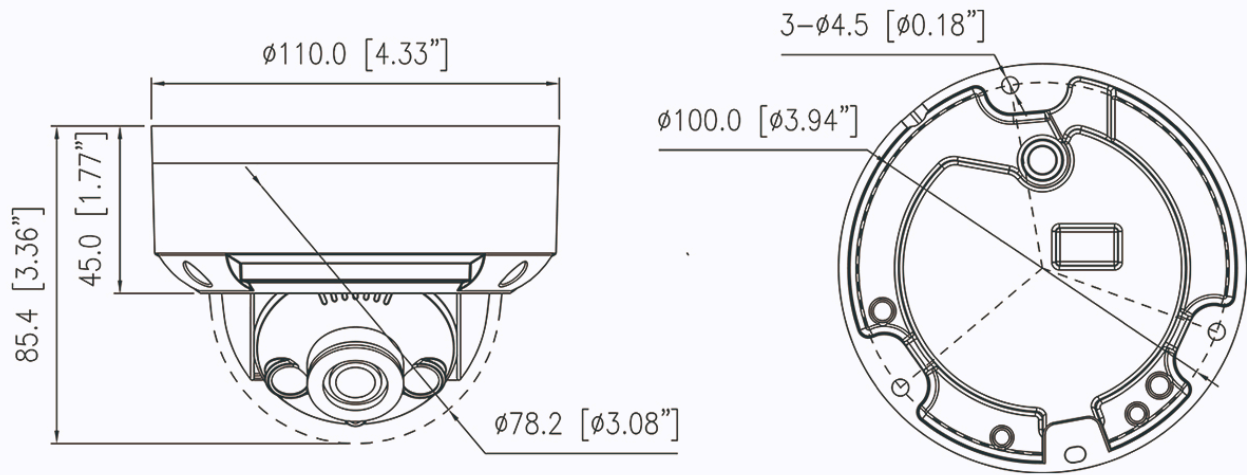
Specifications

Camera	
Image Sensor	1/2.5" Progressive Scan CMOS
Max Resolution	12MP, 4512(H) × 2512(V)
Shutter Speed	1/5 to 1/20,000s
Min Illumination	Color: 0.01 Lux @ (F1.6, AGC ON), B/W: 0.005 Lux @ (F1.6, AGC ON), 0 Lux with illuminator on
Day & Night	Auto (ICR)
Angle Adjustment	Pan: 0° to 335°, Tilt: 0° to 75°, Rotation: 0° to 350°
Lens	
Lens Type	Fixed lens, fixed focal
Focal Length	2.8 mm
Max. Aperture	F1.6
Field of View (FOV)	H: 102.9°, V: 52.1°
Iris	Fixed Iris
Illuminator	
Type	IR LED, Warm light
IR wavelength	850 nm
Distance	IR distance up to 30 m (98.4 ft) Warm light distance up to 20 m (65.6 ft)
Control	IR mode, White mode, Intelligent mode, None
Intelligent Analytics	
AI Multi-Target	- Supports face, human, and vehicle detection & capture. - Supports multiple frame modes: Full Frame, Four-Corner Frame, and Mosaic.
Intelligent Analysis	Intrusion, smart motion detection, single line crossing, double line crossing, loitering, wrong-way detection, illegal parking, area people limit, and perimeter detection. - Supports accurate target classification (human/vehicle)
People Counting	Supported
Video & Audio	
Number of Streams	3 Streams
Resolution	Stream1: 4512×2512, 3840×2160, 2592×1944, 2592×1520, 2560×1440, 2304×1296, 1920×1080, 1280×720 Stream2: D1, VGA, CIF Stream3: VGA, CIF, QVGA
Frame Rate	Up to 20fps

Bit Rate Control	CBR/VBR
Bit Rate	Stream1: 200 Kbps to 20 Mbps Stream2: 100 Kbps to 6 Mbps Stream3: 100 Kbps to 3 Mbps
Smart Encoding	Supported
Region of Interest (ROI)	8 areas, rectangle zones
Audio Compression	G.711 A-law, G.711 μ -law, RAW_PCM
Audio Bit Rate	64 Kbps (G.711), 128 Kbps (RAW_PCM)
Image	
Image Adjustment	Brightness, Sharpness, Contrast, Saturation adjustable
Scene Mode	Indoor, Outdoor, Mirror, Corridor mode
Exposure Mode	Auto, Manual, Shutter priority
White Balance	Auto, Tungsten, Fluorescent, Daylight, Shadow, Manual
Day/Night Setting	Auto, Day, Night, Timer
Noise Reduction	2D/3D DNR
Image Enhancement	HLC, BLC, Defog, WDR
Wide Dynamic Range	True WDR (120dB)
Privacy Masking	4 areas
Event	
Alarm Triggers	IVS, Motion detection, Disk alarm, Network alarm, Day/Night switch alarm, Abnormal sound detection
Event Actions	Alarm record, FTP upload, SMTP upload, Snapshot, White light alarm output
Network	
Protocols	IPv4/IPv6, HTTP/HTTPS, DNS, DDNS, DHCP, PPPoE, RTSP/ RTPC/RTP, TCP/UDP, NTP, ARP, UPnP, FTP, SMTP, QoS, ICMP, IGMP, SMTP, 802.1x, SNMP, Multicast
Application Programming Interface	ONVIF (Profile S/T/G/M), SDK, CGI
Max Concurrent Streams	10 channels
User/Host Level	32+ users, 3 levels: Administrator, Operator, Media user
Web Viewer	<IE11, Chrome, Firefox, Microsoft Edge
Security	
OS / Firmware Protect	Encrypted firmware, Secure boot, Signed firmware
User Authentication	Digest authentication, Prevent brute-force attack
Network Authentication	IEEE 802.1X (EAP-TLS)
Secure Communication	HTTPS, WSS (WebSocket Secure), SRTP
Access Control	IP-based access control, Auto logout
Data Protect	Encryption credentials
Audit	Access / System / Event Log management

Secure Storage	SDcard partition encrypt(AES-256), Secure element
Supply Chain Security	SBOM
Interface	
Network Interface	1 × Ethernet (10/100 Base-T), RJ-45 connector
Built-in Microphone	Supported
SD Card Slot	Built-in microSD card slot, up to 1 TB
Reset Button	Supported
General	
Language	English, Chinese, Traditional Chinese, Polish, Italian, Portuguese, Spanish, Russian, French, Czech, Hungarian, Japanese, Korean. Default: English
Power Supply	12 VDC (-15% to +25%)/PoE (802.3af)
Power Consumption	Typical: 3.5 W (IR off, 12 VDC) / approx. 4.4 W (PoE) Max: 5.9 W (IR on, 12 VDC) / approx. 7.4 W (PoE)
Operating Temperature	-35°C to 55°C (-31°F to 131°F)
Operating Humidity	Less than 95% RH
Ingress Protection	IP67 (housing), IK10
Certifications	CE-EMC - EN 55032, EN IEC 61000-6-4, EN IEC 61000-3-2, EN 61000-3-3, EN 55035, EN 50130-4 FCC 47 CFR Part 15 Subpart B
Material	Aluminum alloy body, bubble: plastic
Dimensions	φ110 × 85.4 mm (φ4.33 × 3.36 inch)
Net Weight	Approx. 420 g (0.93 lb)
DORI Distance (EN62676-4 standard)	
Detect	107 m (351.1 ft)
Observe	42.8 m (140.4 ft)
Recognize	21.4 m (70.2 ft)
Identify	10.7 m (35.1 ft)

Dimensions (mm)



Accessories

Optional:

			
IK-AJ56 Junction Box	IK-AW382A Wall Mount	IK-ACC02 Pendant Cap	IK-AC02 Ceiling Mount
			
IK-AW01 Wall Mount	IK-AW02 Wall Mount	IK-AP01 Pole Mount	IK-ACR02 Corner Mount