

IK-D8843FR-B

8MP Starlight IR Fixed Dome Network Camera



Key Features

- 1/1.8" STARVIS™ CMOS
- Max. 8MP(3840×2160) @25/30fps resolution
- 2.8 mm / 4 mm fixed lens optional
- Supports face, human, and vehicle detection & capture.
- Supports human and vehicle attribute detection.
- Intelligent analytics: Intrusion, smart motion detection, single line crossing, double line crossing, loitering, wrong-way detection, area people limit, perimeter detection, illegal parking, running detection, fall detection, fight detection, and people counting.
- True WDR (120dB), 3D DNR, ROI, Defog, HLC
- Smart IR distance up to 30 m
- 1/1 audio input/output, 1/1 alarm input/output
- Built-in microSD card slot (up to 1 TB)
- IP67, IK10 protection

Specifications

Camera	
Image Sensor	1/1.8" Progressive Scan CMOS
Max Resolution	8MP, 3840(H) × 2160(V)
Shutter Speed	1/5 to 1/20,000s
Min Illumination	Color: 0.003 Lux @ (F1.3, AGC ON), B/W: 0.0008 Lux @ (F1.3, AGC ON), 0 Lux with IR on
Day & Night	Auto (ICR)
Angle Adjustment	Pan: 0° to 335°, Tilt: 0° to 75°, Rotation: 350°
Lens	
Lens Type	Fixed lens, Fixed focal
Focal Length	2.8 mm, 4 mm optional
Max. Aperture	F1.6
Field of View (FOV)	2.8 mm: - H: 110.5°, V: 56.5° 4 mm: - H: 88.4°, V: 50°
Iris	Fixed Iris
Illuminator	
Type	IR
IR wavelength	850 nm
Distance	Up to 30 m (98.4 ft)
Control	Auto/Manual
Intelligent Analytics	
AI Multi-Target	- Supports face, human, and vehicle detection & capture - Supports human and vehicle attribute detection - Supports multiple frame modes: Full Frame, Four-Corner Frame, Mosaic
Attribute Extraction	Human Attributes: Gender, age, glasses, hat, bag, upper clothing color & style, lower clothing color & style, reflective vest Vehicle Attributes: Type, color, brand, orientation
Intelligent Analysis	Intrusion detection, smart motion detection, single line crossing, double line crossing, loitering, wrong-way detection, area people limit, perimeter detection, illegal parking, running detection, fall detection, fight detection - Supports accurate target classification (human/vehicle)
People Counting	Supported
Video & Audio	
Number of Streams	3 Streams

Resolution	Stream1: 3840×2160, 2592×1944, 2592×1520, 2560×1440, 2304×1296, 1920×1080, 1280×720 Stream2: D1, VGA, CIF Stream3: VGA, CIF, QVGA
Frame Rate	Up to 25/30fps
Bit Rate Control	CBR/VBR
Bit Rate	Stream1: 200 Kbps to 16 Mbps Stream2: 100 Kbps to 6 Mbps Stream3: 100 Kbps to 3 Mbps
Smart Encoding	Supported
Region of Interest (ROI)	Off/On (8 Zone, Rectangle)
Audio Compression	G.711 A-law, G.711 μ -law, RAW_PCM
Audio Bit Rate	64 Kbps (G.711), 128 Kbps (RAW_PCM)
Image	
Image Adjustment	Brightness, Sharpness, Contrast, Saturation adjustable
Scene Mode	Indoor, Outdoor, Mirror, Corridor mode
Exposure Mode	Auto, Manual, Shutter priority
White Balance	Auto, Tungsten, Fluorescent, Daylight, Shadow, Manual
Day/Night Setting	Auto, Day, Night, Timer
Noise Reduction	2D/3D DNR
Image Enhancement	HLC, BLC, Defog, WDR
Wide Dynamic Range	True WDR (120dB)
Privacy Masking	4 areas
Event	
Alarm Triggers	IVS, Motion detection, Alarm input, Network alarm, Disk alarm, Day/Night switch alarm, Abnormal sound detection
Event Actions	Alarm record, Alarm output, FTP upload, SMTP upload, Snapshot, Audible alarm output
Network	
Protocols	IPv4/IPv6, HTTP/HTTPS, DNS, DDNS, DHCP, PPPoE, RTSP/ RTCP/RTP, TCP/UDP, NTP, ARP, UPnP, FTP, SMTP, QoS, ICMP, IGMP, SMTP, 802.1x, SNMP, Multicast
Application Programming Interface	ONVIF (Profile S/T/G/M), SDK, CGI
Max Concurrent Streams	10 channels
User/Host Level	32+ users, 3 levels: Administrator, Operator, Media user
Web Viewer	<IE11, Chrome, Firefox, Microsoft Edge
Security	
OS / Firmware Protect	Encrypted firmware, Secure boot, Signed firmware
User Authentication	Digest authentication, Prevent brute-force attack
Network Authentication	IEEE 802.1X (EAP-TLS)

Secure Communication	HTTPS, WSS (WebSocket Secure), SRTP
Access Control	IP-based access control, Auto logout
Data Protect	Encryption credentials
Audit	Access / System / Event Log management
Secure Storage	SDcard partition encrypt (AES-256), Secure element
Supply Chain Security	SBOM

Interface

Network Interface	1 × Ethernet (10/100 Base-T), RJ-45 connector
Audio Interface	1ch Input, 1ch Output
Alarm Interface	1ch Input, 1ch Output
SD Card Slot	Built-in microSD card slot, up to 1 TB
Reset Button	Supported

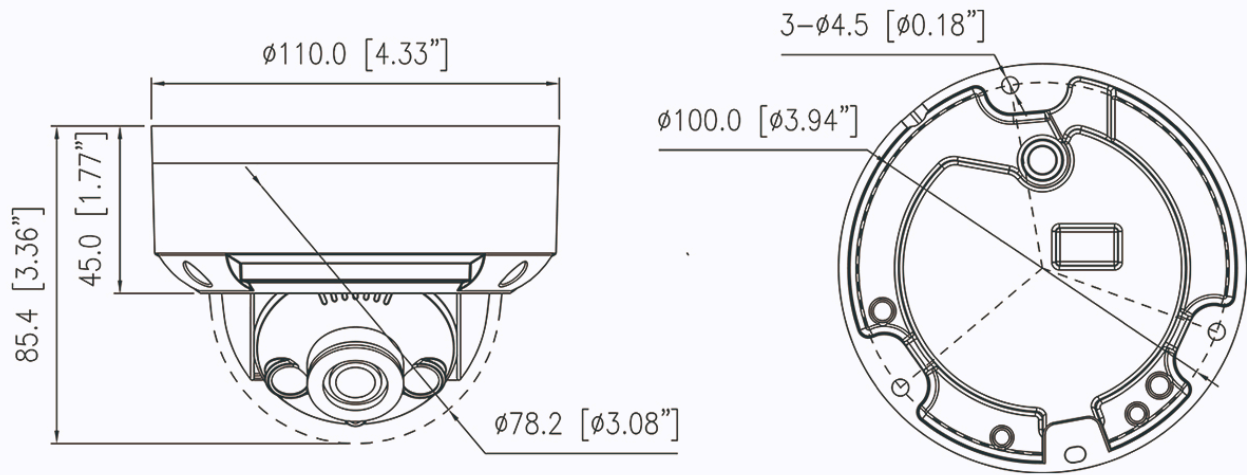
General

Language	English, Chinese, Traditional Chinese, Polish, Italian, Portuguese, Spanish, Russian, French, Czech, Hungarian, Japanese, Korean. Default: English
Power Supply	12 VDC (-10% to +25%) / PoE (802.3af)
Power Consumption	Typical: 3.2 W (12 VDC) / approx. 4 W (PoE) Max (IR on): 5.3 W (12 VDC) / approx. 6.7 W (PoE)
Operating Temperature	-40°C to 60°C (-40°F to 140°F)
Operating Humidity	Less than 95% RH
Ingress Protection	IP67 (housing), IK10
Certifications	CE-EMC - EN 55032, EN IEC 61000-6-4, EN IEC 61000-3-2, EN 61000-3-3, EN 55035, EN 50130-4 FCC 47 CFR Part 15 Subpart B
Material	Aluminum alloy body, bubble: plastic
Dimensions	φ110 × 85.4 mm (φ4.33 × 3.36 inch)
Net Weight	Approx. 0.47 kg (1.04 lb)

DORI Distance (EN62676-4 standard)

Detect	2.8 m: 89.7 m (294.3 ft) 4 mm: 100 m (328.1 ft)
Observe	2.8 m: 35.9 m (117.8 ft) 4 mm: 40 m (131.2 ft)
Recognize	2.8 m: 17.9 m (58.7 ft) 4 mm: 20 m (65.6 ft)
Identify	2.8 m: 9 m (29.5 ft) 4 mm: 10 m (32.8 ft)

Dimensions (mm)



Accessories

Optional:

IK-AJ56 Junction Box	IK-AW382A Wall Mount	IK-ACC02 Pendant Cap	IK-AC02 Ceiling Mount
IK-AW01 Wall Mount	IK-AW02 Wall Mount	IK-AP01 Pole Mount	IK-ACR02 Corner Mount