

IK-F5882FR-VZ

4 × 5MP 4-Directional Multi-sensor Network Camera



Key Features

- Four 5MP 1/2.8" STARVIS CMOS image sensor
- 4 adjustable lenses in one camera, each lens up to 5 MP (2592 × 1944) @25/30 fps
- 2.7 to 13.5 mm motorized lens
- Supports face, human, and vehicle detection & capture.
- Supports human and vehicle attribute detection.
- Intelligent analytics: Intrusion, smart motion detection, single line crossing, double line crossing, loitering, wrong-way detection, area people limit, perimeter detection, illegal parking, running detection, fall detection, enter area, and leave area, and people counting.
- True WDR (120dB), 3D DNR, ROI, Defog, HLC
- Built-in microphone, 1/1 audio in/out, 4/2 alarm in/out
- Built-in SD card slot, up to 1TB
- Smart IR distance up to 40 m
- IP67, IK10-rated housing

Specifications

Camera	
Image Sensor	4 × 1/2.8" Progressive Scan CMOS
Max Resolution	5MP, 2592(H) × 1944(V)
Shutter Speed	1/5 to 1/100,000s
Min Illumination	Color: 0.005 Lux @ (F1.6, AGC ON), B/W: 0.001 Lux @ (F1.6, AGC ON), 0 Lux with IR on
Day & Night	Auto (ICR)
Angle Adjustment	Pan: -180° to 180°, Tilt: 0° to 130°, Rotation: 0° to 355°
Lens	
Lens Type	Varifocal lens, Motorized focal
Focal Length	2.7 to 13.5 mm
Max. Aperture	F1.6
Field of View (FOV)	H: 95.6° to 26.9°, V: 65.4° to 20.5°
Iris	Auto Iris
Illuminator	
Type	IR
IR wavelength	850 nm
Distance	Up to 40 m (131.2 ft)
Control	Auto/Manual
Intelligent Analytics	
AI Multi-Target	<ul style="list-style-type: none"> - Supports face, human, and vehicle detection & capture - Supports human and vehicle attribute detection - Supports multiple frame modes: Full Frame, Four-Corner Frame, Mosaic
Attribute Extraction	Human Attributes: Gender, age, glasses, hat, bag, upper clothing color & style, lower clothing color & style, reflective vest Vehicle Attributes: Type, color, brand, orientation
Intelligent Analysis	Intrusion, smart motion detection, single line crossing, double line crossing, loitering, wrong-way detection, area people limit, perimeter detection, illegal parking, running detection, fall detection, fight detection, enter area, and leave area - Supports accurate target classification (human/vehicle)
People Counting	Supported
Video & Audio	
Number of Streams	3 Streams
Resolution	Stream1: 2592 × 1944, 2592 × 1520, 1920 × 1080, 1280 × 720 Stream2: D1, VGA, CIF Stream3: VGA, CIF, QVGA

Frame Rate	Up to 25/30fps
Bit Rate Control	CBR/VBR
Bit Rate	Stream1: 200 Kbps to 12 Mbps Stream2: 100 Kbps to 6 Mbps Stream3: 100 Kbps to 3 Mbps
Smart Encoding	Supported
Region of Interest (ROI)	Off / On (8 Zone, Rectangle)
Audio Compression	G.711 A-law, G.711 μ -law, RAW_PCM
Audio Bit Rate	64 Kbps (G.711), 128 Kbps (RAW_PCM)
Image	
Image Adjustment	Brightness, Sharpness, Contrast, Saturation adjustable
Scene Mode	Indoor, Outdoor, Mirror
Exposure Mode	Auto, Manual, Shutter priority
White Balance	Auto, Tungsten, Fluorescent, Daylight, Shadow, Manual
Day/Night Setting	Auto, Day, Night, Timer
Noise Reduction	2D/3D DNR
Image Enhancement	WDR, HLC, BLC, Defog
Wide Dynamic Range	True WDR (120dB)
Privacy Masking	Up to 4 x 4 areas
Event	
Alarm Triggers	IVS, Motion detection, Alarm input, Network alarm, Disk alarm, Day/Night switch alarm, Abnormal sound detection
Event Actions	Alarm record, Alarm output, FTP upload, SMTP upload, Snapshot, Audible alarm output
Network	
Protocols	IPv4/IPv6, HTTP/HTTPS, DNS, DDNS, DHCP, PPPoE, RTSP/ RTCP/RTP, TCP/UDP, NTP, ARP, UPnP, FTP, SMTP, QoS, ICMP, IGMP, SMTP, 802.1x, SNMP, Multicast
Application Programming Interface	ONVIF (Profile S/T/G/M), SDK, CGI
Max Concurrent Streams	10 channels
User/Host Level	32+ users, 3 levels: Administrator, Operator, Media user
Web Viewer	<IE11, Chrome, Firefox, Microsoft Edge
Security	
OS / Firmware Protect	Encrypted firmware, Secure boot, Signed firmware
User Authentication	Digest authentication, Prevent brute-force attack
Network Authentication	IEEE 802.1X (EAP-TLS)
Secure Communication	HTTPS, WSS(WebSocket Secure), SRTP
Access Control	IP-based access control, Auto logout
Data Protect	Encryption credentials

Audit	Access / System / Event Log management
Secure Storage	SDcard partition encrypt(AES-256), Secure element
Supply Chain Security	SBOM

Interface

Network Interface	1 × Ethernet (10/100 Base-T), RJ-45 connector
Built-in Microphone	Supported
Audio Interface	1ch Input, 1ch Output
Alarm Interface	4ch Input, 2ch Output
RS-485	1 RS-485
CVBS Output	Supported
SD Card Slot	Built-in microSD card slot, up to 1 TB
Reset Button	Supported

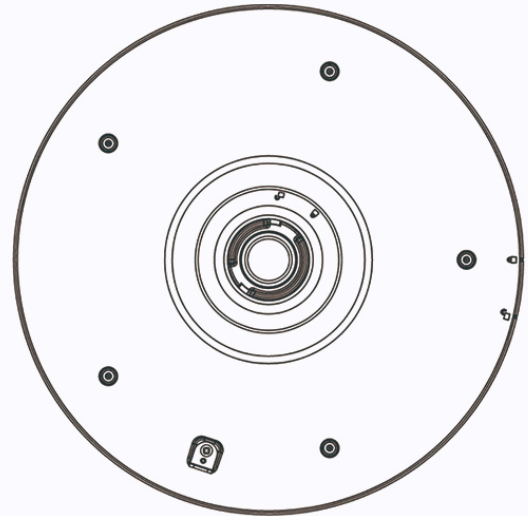
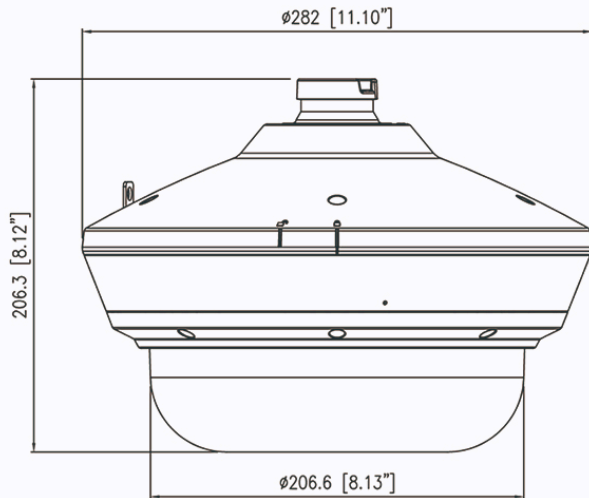
General

Language	English, Chinese, Traditional Chinese, Polish, Italian, Portuguese, Spanish, Russian, French, Czech, Hungarian, Japanese, Korean. Default: English
Power Supply	12 VDC (-15% to +25%) / PoE+ (802.3at)
Power Consumption	Typical: 10.8 W (12 VDC) / approx. 13.5 W (PoE) Max (IR on): 20.2 W (12 VDC) / approx. 25.3 W (PoE)
Operating Temperature	-40°C to 60°C (-40°F to 140°F)
Operating Humidity	Less than 95% RH
Ingress Protection	IP67, IK10
Certifications	CE-EMC - EN 55032, EN IEC 61000-6-4, EN IEC 61000-3-2, EN 61000-3-3, EN 55035, EN 50130-4 FCC 47 CFR Part 15 Subpart B
Material	Aluminum alloy body, bubble: plastic
Dimensions	Φ282 × 206.3 mm (φ11.1 × 8.12 inch) , (Bracket not included)
Net Weight	Approx. 4 kg (8.82 lb), (Bracket not included)

DORI Distance (EN62676-4 standard)

Detect	68 to 195 m (223.1 to 639.8 ft)
Observe	27.2 to 78 m (89.2 to 255.9 ft)
Recognize	13.6 to 39 m (44.6 to 128.0 ft)
Identify	6.8 to 19.5 m (22.3 to 64.0 ft)

Dimensions (mm)



Accessories

Included:



Optional:

