

IK-P5867FR-X5

5MP IR Mini PTZ Network Camera



Key Features

- 1/2.7" progressive scan CMOS
- Max. 5MP (2880 × 1620)@ 25/30 resolution, 5x optical zoom, 16x digital zoom
- Supports face, human, and vehicle detection & capture.
- Intelligent analytics: Intrusion, smart motion detection, single line crossing, double line crossing, loitering, wrong-way detection, illegal parking, area people limit, perimeter detection, and people counting.
- Supports alarm-linked tracking and intelligent tracking based on person/vehicle targets.
- True WDR (120dB), 3D DNR, ICR, Defog
- Smart IR distance up to 30m
- Built-in SD card slot, supports up to 1TB
- IP66

Specifications

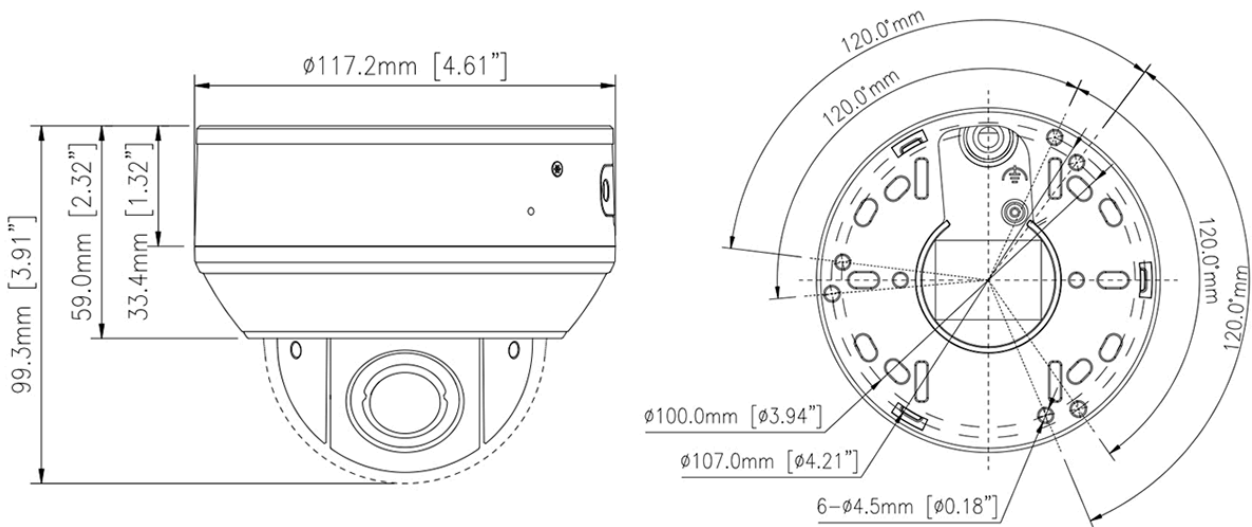
Camera	
Image Sensor	1/2.7" Progressive Scan CMOS
Max Resolution	2880(H)×1620(V)
Shutter Speed	1/5 to 1/20,000s
Min Illumination	Color: 0.005 Lux @ (F1.6, AGC ON), B/W: 0.001 Lux @ (F1.6, AGC ON), 0 Lux with light
Day & Night	Auto (ICR)
S/N Ratio	52 dB
Lens	
Focal Length	2.7 to 13.5 mm, 5x optical zoom
Max. Aperture	F1.66 to F3.03
Field of View (FOV)	H: 109.2° to 31.0°, V: 55.8° to 17.4°
Digital Zoom	16x
Iris	Auto / Manual
Focus Control	Auto / Manual
Illuminator	
Type	IR
IR wavelength	850 nm
Distance	Up to 30 m (98.4 ft)
Control	Auto / Manual
Intelligent Analytics	
Multi-Object Detection	- Supports face, human, and vehicle detection & capture - Supports multiple frame modes: Full Frame, Four-Corner Frame, Mosaic
Intelligent Analysis	Intrusion detection, smart motion detection, single line crossing, double line crossing, loitering, wrong-way detection, illegal parking, area people limit, perimeter detection. - Supports accurate target classification (human/vehicle)
People Counting	Supported
Video & Audio	
Number of Streams	3 Streams
Resolution	Stream1: 2880×1620, 2304×1296, 1920×1080, 1280×720 Stream2: D1, VGA, 640×360, CIF, QVGA Stream3: VGA, CIF, QVGA
Frame Rate	Up to 25/30fps
Bit Rate Control	CBR/VBR

Bit Rate	Stream1: 200 kbps to 12 Mbps Stream2: 100 kbps to 6 Mbps Stream3: 100 kbps to 3 Mbps
Smart Encoding	Supported
Region of Interest (ROI)	Supported
Audio Compression	G.711 A-law, G.711 μ -law, RAW_PCM
Audio Bit Rate	64 kbps (G.711), 128 kbps (RAW_PCM)
Image	
Image Adjustment	Brightness, Sharpness, Contrast, Saturation adjustable
Exposure Mode	Auto, Manual, Shutter priority, Iris priority
White Balance	Auto, Tungsten, Fluorescent, Daylight, Shadow, Manual
Day/Night Setting	Auto, Day, Night, Timer
Noise Reduction	2D/3D DNR
Image Enhancement	HLC, BLC, Defog, WDR
Wide Dynamic Range	True WDR (120dB)
Privacy Masking	Up to 40 areas, mask color configurable
PTZ	
Pan/Tilt Range	Pan: 0° to 350° endless, Tilt: 7° to +90°
Pan Speed	Pan speed: 0.1° to 60°/s, preset speed: 60°/s
Tilt Speed	Tilt speed: 0.1° to 60°/s, preset speed: 60°/s
Preset Accuracy	$\leq 0.5^\circ$
Preset	400
Track	6 Track
Scan	12 Scan
Tour	12 Tour (up to 32 presets each tour)
Intelligent Tracking	Supported, Object auto tracking (Person/Vehicle)
Power-Off Memory	Supported
3D Positioning	Supported
PTZ Status Display	Supported
Idle Motion	The time can be set (1-240 minutes), and functions such as preset positions, patrols, scans, and tracks can be run.
Event	
Alarm Triggers	IVS, Motion detection, Alarm input, Network alarm, Disk alarm, Day/Night switch alarm, Abnormal sound detection
Event Actions	Alarm record, Alarm output, FTP upload, SMTP upload, Snapshot, Linkage tracking, Audible alarm output
Network	

Protocols	IPv4/IPv6, HTTP/HTTPS, DNS, DDNS, DHCP, PPPoE, RTSP/ RTP/RTCP, TCP/UDP, NTP, ARP, UPnP, FTP, SMTP, QoS, ICMP, IGMP, SMTP, 802.1x, SNMP, Multicast
Application Programming Interface	ONVIF (Profile S/T/G/M), SDK, CGI
Max Concurrent Streams	10 channels
User/Host Level	32+ users, 3 levels: Administrator, Operator, Media user
Web Viewer	<IE11, Chrome, Firefox, Microsoft Edge
Security	
OS / Firmware Protect	Encrypted firmware, Secure boot, Signed firmware
User Authentication	Digest authentication, Prevent brute-force attack
Network Authentication	IEEE 802.1X (EAP-TLS)
Secure Communication	HTTPS, WSS (WebSocket Secure), SRTP
Access Control	IP-based access control, Auto logout
Data Protect	Encryption credentials
Audit	Access / System / Event Log management
Secure Storage	SDcard partition encrypt (AES-256), Secure element
Supply Chain Security	SBOM
Interface	
Network Interface	1 × Ethernet (10/100 Base-T), RJ-45 connector
Built-in Microphone	Supported
Audio Interface	1ch input, 1ch output
Alarm Interface	1ch input, 1ch output
SD Card Slot	Built-in microSD card slot, up to 1 TB
Reset Button	Supported
General	
Language	English, Chinese, Traditional Chinese, Polish, Italian, Portuguese, Spanish, Russian, French, Czech, Hungarian, Japanese, Korean. Default: English
Power Supply	12 VDC / PoE (802.3af)
Power Consumption	Max 12W
Operating Temperature	-30°C to 60°C (-22°F to 140 °F)
Operating Humidity	Less than 95% RH
Ingress Protection	IP66
Certifications	CE-EMC - EN 55032, EN IEC 61000-6-4, EN IEC 61000-3-2, EN 61000-3-3, EN 55035, EN 50130-4 FCC 47 CFR Part 15 Subpart B
Material	Aluminum alloy body, bubble: plastic
Dimensions	φ117.2 × 99.3 mm (φ4.61 × 3.9 inch)
Net Weight	Approx. 700g (1.54 lb)

DORI Distance (EN62676-4 standard)	
Detect	66 to 203 m (216.5 to 666.0 ft)
Observe	26.4 to 81.2 m (86.6 to 266.4 ft)
Recognize	13.2 to 40.6 m (43.3 to 133.2 ft)
Identify	6.6 to 20.3 m (21.7 to 66.6 ft)

Dimensions (mm)



Accessories

Optional:

			
<p>IK-AJ46M Junction Box</p>	<p>IK-AW382A Wall Mount</p>	<p>IK-ACC03A Pendant Cap</p>	<p>IK-AC02 Ceiling Mount</p>
			
<p>IK-AW01 Wall Mount</p>	<p>IK-AW02 Wall Mount</p>	<p>IK-AP01 Pole Mount</p>	<p>IK-ACR02 Corner Mount</p>