

IK-P5874FC-A-X5

5MP Wi-Fi Active Deterrence Network PTZ Camera



Key Features

- 1/2.7" progressive scan CMOS
- Max. 5MP (2880 × 1620) @25/30 fps resolution, 5x optical zoom, 16x digital zoom
- Supports face, human, and vehicle detection & capture.
- Supports human and vehicle attribute detection.
- Intelligent analytics: Intrusion, smart motion detection, single line crossing, double line crossing, loitering, wrong-way detection, area people limit, perimeter detection, illegal parking, running detection, fall detection, fight detection, smoke and flame detection, and people counting.
- Supports alarm-linked tracking and intelligent tracking based on person/vehicle targets.
- True WDR(120dB), 3D DNR, ICR, Defog and DIS
- Support Wi-Fi 802.11 b/g/n
- Built-in microphone, speaker, and red/blue warning lights, supports sound and light alarms
- Smart dual illuminator, up to 50m IR and 30m warm light distance
- Built-in microSD card slot (up to 1TB), IP66

Specifications

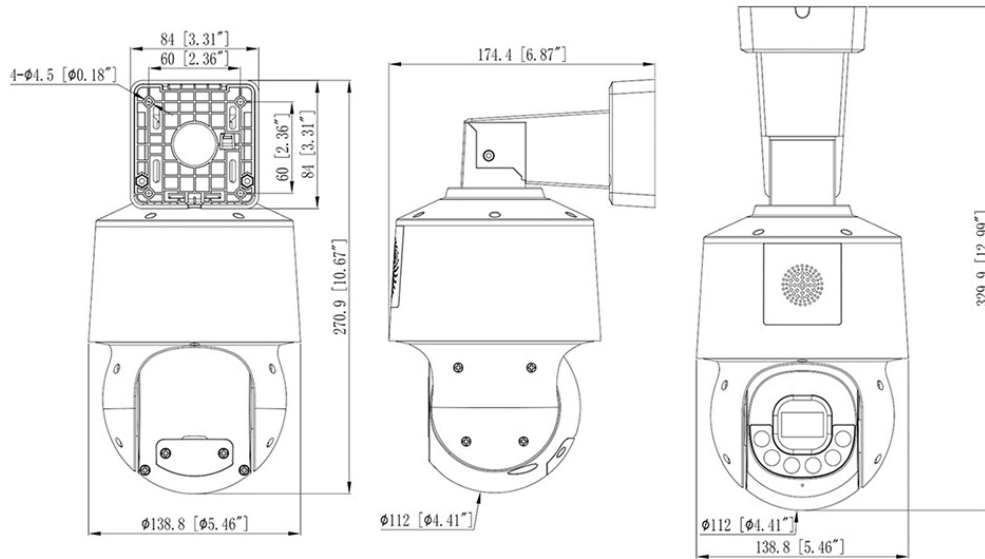
| Camera | |
|---------------------------|---|
| Image Sensor | 1/2.7" Progressive Scan CMOS |
| Max Resolution | 2880(H)×1620(V) |
| Shutter Speed | 1/5 to 1/20,000s |
| Min Illumination | Color: 0.01 Lux @ (F1.6, AGC ON), B/W: 0.001 Lux @ (F1.6, AGC ON), 0 Lux with illuminator on |
| Day & Night | Auto (ICR) |
| S/N Ratio | 55 dB |
| Lens | |
| Focal Length | 2.7 to 13.5mm |
| Max. Aperture | F1.66 to F3.03 |
| Field of View (FOV) | H: 111.5° to 32.3°, V: 57.5° to 17.9° |
| Optical Zoom | 5x |
| Digital Zoom | 16x |
| Iris | Auto/Manual |
| Focus Control | Auto/Manual/Semi-automatic |
| Illuminator | |
| Type | IR, Warm light |
| IR wavelength | 850 nm |
| Distance | IR distance up to 50 m (164.0 ft) Warm lights distance up to 30 m (98.4 ft) |
| Control | IR mode, White mode, Intelligent mode, None |
| Intelligent Analytics | |
| Multi-Object Detection | - Supports face, human, and vehicle detection & capture - Supports human and vehicle attribute detection - Supports multiple frame modes: Full Frame, Four-Corner Frame, Mosaic |
| Attribute Extraction | Human Attributes: Gender, age, glasses, hat, bag, upper clothing color & style, lower clothing color & style, reflective vest Vehicle Attributes: Type, color, brand, orientation |
| Intelligent Analysis | Intrusion detection, smart motion detection, single line crossing, double line crossing, loitering, wrong-way detection, area people limit, perimeter detection, illegal parking, running detection, fall detection, fight detection - Supports accurate target classification (human/vehicle) |
| Smoke and Flame Detection | Supported |
| People Counting | Supported |

| Video & Audio | |
|--------------------------|--|
| Number of Streams | 3 Streams |
| Resolution | Stream1: 2880×1620, 2560×1440, 2304×1296, 1920×1080, 1280×720 Stream2: D1, VGA, 640×360, CIF, QVGA Stream3: VGA, CIF, QVGA |
| Frame Rate | Up to 25/30fps |
| Bit Rate Control | CBR/VBR |
| Bit Rate | Stream1: 200 kbps to 12 Mbps Stream2: 100 kbps to 6 Mbps Stream3: 100 kbps to 3 Mbps |
| Smart Encoding | Supported |
| Region of Interest (ROI) | Supported |
| Audio Compression | G.711 A-law, G.711 μ -law, RAW_PCM |
| Audio Bit Rate | 64 kbps (G.711), 128 kbps (RAW_PCM) |
| Image | |
| Image Adjustment | Brightness, Sharpness, Contrast, Saturation adjustable |
| Scene Mode | Indoor, Outdoor, Mirror |
| Exposure Mode | Auto, Manual, Shutter priority, Iris priority |
| White Balance | Auto, Tungsten, Fluorescent, Daylight, Shadow, Manual |
| Day/Night Setting | Auto, Day, Night, Timer |
| Noise Reduction | 2D/3D DNR |
| Image Enhancement | HLC, BLC, Defog, WDR, Anti-shake |
| Wide Dynamic Range | True WDR (120dB) |
| Privacy Masking | Support 40 zones, mask color configurable |
| PTZ | |
| Pan/Tilt Range | Pan: 0° to 355° endless, Tilt: -20° to +90° (auto-flip) |
| Pan Speed | Pan speed: 0.1° to 60°/s, preset speed: 60°/s |
| Tilt Speed | Tilt speed: 0.1° to 50°/s, preset speed: 50°/s |
| Preset Accuracy | $\leq 0.3^\circ$ |
| Preset | 400 |
| Track | 6 Track |
| Scan | 12 Scan |
| Tour | 12 Tour (up to 32 presets each tour) |
| Intelligent Tracking | Supported Object auto tracking (Person/Vehicle) |
| Power-Off Memory | Supported |
| 3D Positioning | Supported |
| PTZ Status Display | Supported |

| | |
|-----------------------------------|--|
| Idle Motion | The time can be set (1-240 minutes), and functions such as preset positions, patrols, scans, and tracks can be run. |
| Event | |
| Alarm Triggers | IVS, Motion detection, Alarm input, Network alarm, Disk alarm, Day/Night switch alarm, Abnormal sound detection |
| Event Actions | Alarm record, Alarm output, FTP upload, SMTP upload, Linkage tracking, Audible alarm output, White light alarm output, Red and blue alarm output |
| Network | |
| Protocols | IPv4/IPv6, HTTP/HTTPS, DNS, DDNS, DHCP, PPPoE, RTSP/ RTCP/RTP, TCP/UDP, NTP, ARP, UPnP, FTP, SMTP, QoS, ICMP, IGMP, SMTP, 802.1x, SNMP, Multicast |
| Wi-Fi | <p>Wi-Fi Standard:</p> <ul style="list-style-type: none"> - Wi-Fi 6, IEEE 802.11b, IEEE 802.11g, IEEE 802.11n <p>Wi-Fi Frequency:</p> <ul style="list-style-type: none"> - 2.4 GHz/5 GHz <p>Wi-Fi Security:</p> <ul style="list-style-type: none"> - WPA-PAS/WPA2-PSK <p>Wi-Fi Transmission:</p> <ul style="list-style-type: none"> - IEEE 802.11b: 11 Mbps - IEEE 802.11g: 54 Mbps - IEEE 802.11n: 150 Mbps |
| Application Programming Interface | ONVIF (Profile S/T/G/M), SDK, CGI |
| Max Concurrent Streams | 10 channels |
| User/Host Level | 32+ users, 3 levels: Administrator, Operator, Media user |
| Web Viewer | <IE11, Chrome, Firefox, Microsoft Edge |
| Security | |
| OS / Firmware Protect | Encrypted firmware, Secure boot, Signed firmware |
| User Authentication | Digest authentication, Prevent brute-force attack |
| Network Authentication | IEEE 802.1X (EAP-TLS) |
| Secure Communication | HTTPS, WSS (WebSocket Secure), SRTP |
| Access Control | IP-based access control, Auto logout |
| Data Protect | Encryption credentials |
| Audit | Access / System / Event Log management |
| Secure Storage | SDcard partition encrypt (AES-256), Secure element |
| Supply Chain Security | SBOM |
| Interface | |
| Network Interface | 1 × Ethernet (10/100 Base-T), RJ-45 connector |
| Built-in Microphone | Support |
| Built-in Speaker | Support, Max sound transmission distance of 60 m (196.85 ft) (45-48 dB) |
| Alarm Interface | 1ch Input, 1ch Output |
| SD Card Slot | Built-in microSD card slot, up to 1 TB |
| Reset Button | Supported |

| General | |
|------------------------------------|--|
| Language | English, Chinese, Traditional Chinese, Polish, Italian, Portuguese, Spanish, Russian, French, Czech, Hungarian, Japanese, Korean. Default: English |
| Power Supply | 12 VDC / PoE+ (802.3at) |
| Power Consumption | Less than 18.7W (illuminator + red and blue warning light + speaker + PTZ working + glass defogging) |
| Operating Temperature | -30°C to 60°C (-22°F to 140 °F) |
| Operating Humidity | Less than 95% RH |
| Ingress Protection | IP66 |
| Certifications | CE-EMC- EN 55032, EN IEC 61000-6-3, EN IEC 61000-3-2, EN 61000-3-3, EN 55035, EN 50130-4 CE-LVD - EN IEC 62368-1 FCC 47 CFR Part 15 Subpart B |
| Material | Metal + Plastic |
| Dimensions | 174.4 × 138.8 × 270.9 mm (6.87 × 5.46 × 10.67 inch) of wall mount |
| Net Weight | 1.28 Kg (2.82 lb) |
| DORI Distance (EN62676-4 standard) | |
| Detect | 70 to 205 m (229.7 to 672.6 ft) |
| Observe | 28 to 82 m (91.9 to 269.0 ft) |
| Recognize | 14 to 41 m (45.9 to 134.5 ft) |
| Identify | 7 to 20.5 m (23.0 to 67.3 ft) |

Dimensions (mm)



Accessories

Optional:



IK-AP01
Pole Mount



IK-ACR02
Corner Mount