

IK-T5509NS-Z

5MP Smart Dual Illumination Turret Network Camera



Key Features

- 1/3" progressive scan CMOS
- Max. 5MP (2560 × 1920) @25fps resolution
- 2.7 to 13.5 mm motorized varifocal lens
- Supports face, human, and vehicle detection.
- Intelligent analytics: Intrusion, smart motion detection, single line crossing, double line crossing, loitering, wrong-way detection, illegal parking, and people counting.
- DWDR, 3D DNR, ROI, HLC, BLC, Defog
- Built-in IR and warm LEDs, smart illumination distance up to 30m
- Built-in microphone and microSD card slot (up to 1 TB)
- IP66-rated protection

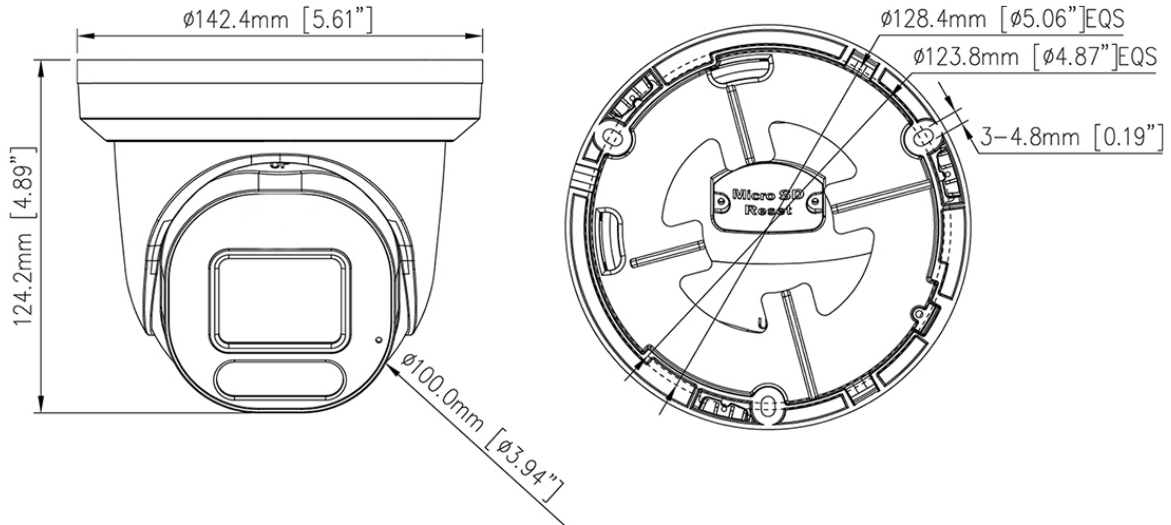
Specifications

| Camera | |
|-----------------------|--|
| Image Sensor | 1/3" Progressive Scan CMOS |
| Max Resolution | 5MP, 2560(H) × 1920(V) |
| Shutter Speed | 1/5 to 1/20,000s |
| Min Illumination | Color: 0.01 Lux @ (F1.6, AGC ON), B/W: 0.005 Lux @ (F1.6, AGC ON), 0 Lux with illuminator on |
| Day & Night | Auto (ICR) |
| Angle Adjustment | Pan: 0° to 360°, Tilt: 5° to 75°, Rotation: 0° to 360° |
| Lens | |
| Lens Type | Varifocal lens, motorized focal |
| Focal Length | 2.7 to 13.5 mm |
| Max. Aperture | F1.6 |
| Field of View (FOV) | H: 90° to 29.8°, V: 48.3° to 16.8° |
| Iris | Fixed Iris |
| Illuminator | |
| Type | IR, Warm light |
| IR wavelength | 850nm |
| Distance | IR distance up to 30 m (98.4 ft) Warm light distance up to 20 m (65.6 ft) |
| Control | IR mode, White mode, Intelligent mode, None |
| Intelligent Analytics | |
| AI Multi-Target | Supports face, human, and vehicle detection. |
| Intelligent Analysis | Intrusion, smart motion detection, single line crossing, double line crossing, loitering, wrong-way detection, and illegal parking. - Supports accurate target classification (human/vehicle) |
| People Counting | Supported |
| Video & Audio | |
| Number of Streams | 3 Streams |
| Resolution | Stream1: 2560×1920, 2560×1440, 2304×1296, 1920×1080, 1280×720 Stream2: D1, VGA, CIF Stream3: VGA, CIF, QVGA |
| Frame Rate | Up to 25fps |
| Bit Rate Control | CBR/VBR |

| | |
|-----------------------------------|---|
| Bit Rate | Stream1: 200 Kbps to 12 Mbps Stream2: 100 Kbps to 6 Mbps Stream3: 100 Kbps to 3 Mbps |
| Smart Encoding | Supported |
| Region of Interest (ROI) | Off/On (8 areas, Rectangle) |
| Audio Compression | G.711 A-law, G.711 μ -law, RAW_PCM |
| Audio Bit Rate | 64 Kbps (G.711), 128 Kbps (RAW_PCM) |
| Image | |
| Image Adjustment | Brightness, Sharpness, Contrast, Saturation adjustable |
| Scene Mode | Indoor, Outdoor, Mirror, Corridor mode |
| Exposure Mode | Auto, Manual, Shutter priority |
| White Balance | Auto, Tungsten, Fluorescent, Daylight, Shadow, Manual |
| Day/Night Setting | Auto, Day, Night, Timer |
| Noise Reduction | 2D/3D DNR |
| Image Enhancement | HLC, BLC, Defog, WDR |
| Wide Dynamic Range | DWDR |
| Privacy Masking | 4 areas |
| Event | |
| Alarm Triggers | IVS, Motion detection, Network alarm, Disk alarm, Day/Night switch alarm, Abnormal sound detection |
| Event Actions | Alarm record, FTP upload, SMTP upload, White light alarm output |
| Network | |
| Protocols | IPv4/IPv6, HTTP/HTTPS, DNS, DDNS, DHCP, PPPoE, RTSP/ RTP/RTCP, TCP/UDP, NTP, ARP, UPnP, FTP, SMTP, QoS, ICMP, IGMP, SMTP, 802.1x, SNMP, Multicast |
| Application Programming Interface | ONVIF (Profile S/T/G/M), SDK, CGI |
| Max Concurrent Streams | 4 channels |
| User/Host Level | Up to 32 users; 3 levels: Administrator, Operator, and Media User |
| Web Viewer | <IE11, Chrome, Firefox, Microsoft Edge |
| Security | |
| OS / Firmware Protect | Encrypted firmware, Signed firmware |
| User Authentication | Digest authentication, Prevent brute-force attack |
| Network Authentication | IEEE 802.1X (EAP-TLS) |
| Secure Communication | HTTPS, WSS (WebSocket Secure), SRTP |
| Access Control | IP-based access control, Auto logout |
| Data Protect | Encryption credentials |
| Audit | Access / System / Event Log management |
| Secure Storage | SDcard partition encrypt (AES-256), Secure element |

| | |
|---|--|
| Supply Chain Security | SBOM |
| Interface | |
| Network Interface | 1 × Ethernet (10/100 Base-T), RJ-45 connector |
| Built-in Microphone | Supported |
| SD Card Slot | Built-in microSD card slot, up to 1 TB |
| Reset Button | Supported |
| General | |
| Language | English, Chinese, Traditional Chinese, Polish, Italian, Portuguese, Spanish, Russian, French, Czech, Hungarian, Japanese, Korean. Default: English |
| Power Supply | 12 VDC (-15% to +25%)/PoE (802.3af) |
| Power Consumption | Typical: 1.7 W (12 VDC) / approx. 2.2 W (PoE) Max (Light on + Focus): 4.5 W (12 VDC) / approx. 5.7 W (PoE) |
| Operating Temperature | -25°C to 55°C (-13°F to 131°F) |
| Operating Humidity | Less than 90% RH |
| Ingress Protection | IP66 |
| Certifications | CE-EMC - EN 55032, EN IEC 61000-6-4, EN IEC 61000-3-2, EN 61000-3-3, EN 55035, EN 50130-4 FCC 47 CFR Part 15 Subpart B |
| Material | Aluminum alloy body, Decoration ring: plastic |
| Dimensions | φ142.4 × 124.2 mm (φ5.61 × 4.89 inch) |
| Net Weight | Approx. 740 g (1.63 lb) |
| DORI Distance (EN62676-4 standard) | |
| Detect | 94 to 274 m (308.4 to 899.0 ft) |
| Observe | 37.6 to 109.6 m (37.6 to 359.6 ft) |
| Recognize | 18.8 to 54.8 m (61.7 to 179.8 ft) |
| Identify | 9.4 to 27.4 m (30.8 to 89.9 ft) |

Dimensions (mm)



Accessories

Optional:

| | | | |
|--------------------------|-------------------------|--------------------------|-----------------------|
| | | | |
| IK-AJ45G Junction Box | IK-ACC06 Pendant Cap | IK-AC02 Ceiling Mount | IK-AW01 Wall Mount |
| | | | |
| IK-AW02 Wall Mount | IK-AP01 Pole Mount | IK-ACR02 Corner Mount | |