

IK-T622NR-B

2MP IR Turret Network Camera



Key Features

- 1/3" progressive scan CMOS
- Max. 2MP(1920 × 1080) @25fps resolution
- Supports face, human, and vehicle detection.
- Intelligent analytics: Intrusion, smart motion detection, and line crossing
- DWDR, 3D DNR, ROI, HLC, BLC, Defog
- Built-in microphone and SD card slot, up to 1TB microSD card
- Smart IR distance up to 30m
- IP67-rated housing

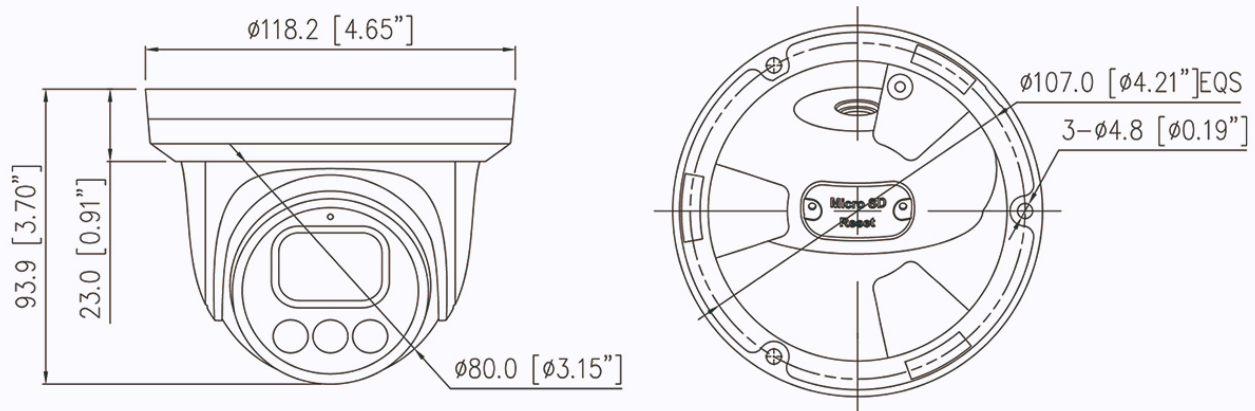
Specifications

Camera	
Image Sensor	1/3" Progressive Scan CMOS
Max Resolution	2MP, 1920(H) × 1080(V)
Shutter Speed	1/5 to 1/20,000s
Min Illumination	Color: 0.05 Lux @ (F2.0, AGC ON), B/W: 0.01 Lux @ (F2.0, AGC ON), 0 Lux with IR on
Day & Night	Auto (ICR)
Angle Adjustment	Pan: 0° to 360°, Tilt: 0° to 90°, Rotation: 0° to 360°
Lens	
Lens Type	Fixed lens, fixed focal
Focal Length	2.8 mm
Max. Aperture	F2.0
Field of View (FOV)	H: 95.0°, V: 52.9°
Iris	Fixed Iris
Illuminator	
Type	IR
IR wavelength	850 nm
Distance	Up to 30 m (98.4 ft)
Control	Auto/Manual
Intelligent Analytics	
AI Multi-Target	Supports face, human, and vehicle detection
Intelligent Analysis	Intrusion, smart motion detection, line crossing - Supports accurate target classification (human/vehicle)
Video & Audio	
Number of Streams	3 Streams
Resolution	Stream1: 1920×1080, 1280×720 Stream2: D1, VGA, 640×360, CIF, QVGA Stream3: VGA, CIF, QVGA
Frame Rate	Up to 25fps
Bit Rate Control	CBR/VBR
Bit Rate	Stream1: 100 Kbps to 6 Mbps Stream2: 100 Kbps to 6 Mbps Stream3: 100 Kbps to 3 Mbps
Smart Encoding	Supported

Region of Interest (ROI)	8 areas, rectangle zones
Audio Compression	G.711 A-law, G.711 μ -law, RAW_PCM
Audio Bit Rate	64 Kbps (G.711), 128 Kbps (RAW_PCM)
Image	
Image Adjustment	Brightness, Sharpness, Contrast, Saturation adjustable
Scene Mode	Indoor, Outdoor, Mirror, Corridor mode
Exposure Mode	Auto, Manual, Shutter priority
White Balance	Auto, Tungsten, Fluorescent, Daylight, Shadow, Manual
Day/Night Setting	Auto, Day, Night, Timer
Noise Reduction	2D/3D DNR
Image Enhancement	HLC, BLC, Defog, WDR
Wide Dynamic Range	DWDR
Privacy Masking	4 areas
Event	
Alarm Triggers	IVS, Motion detection, Disk alarm, Network alarm, Day/Night switch alarm, Abnormal sound detection
Event Actions	Alarm record, FTP upload, SMTP upload
Network	
Protocols	IPv4/IPv6, HTTP/HTTPS, DNS, DDNS, DHCP, PPPoE, RTSP/ RTP/RTCP, TCP/UDP, NTP, ARP, UPnP, FTP, SMTP, QoS, ICMP, IGMP, SMTP, 802.1x, SNMP, Multicast
Application Programming Interface	ONVIF (Profile S/T/G/M), SDK, CGI
Max Concurrent Streams	10 channels
User/Host Level	32+ users, 3 levels: Administrator, Operator, Media user
Web Viewer	<IE11, Chrome, Firefox, Microsoft Edge
Security	
OS / Firmware Protect	Encrypted firmware, Secure boot, Signed firmware
User Authentication	Digest authentication, Prevent brute-force attack
Network Authentication	IEEE 802.1X (EAP-TLS)
Secure Communication	HTTPS, WSS (WebSocket Secure), SRTP
Access Control	IP-based access control, Auto logout
Data Protect	Encryption credentials
Audit	Access / System / Event Log management
Supply Chain Security	SBOM
Interface	
Network Interface	1 \times Ethernet (10/100 Base-T), RJ-45 connector
Built-in Microphone	Supported

SD Card Slot	Built-in microSD card slot, up to 1 TB
Reset Button	Supported
General	
Language	English, Chinese, Traditional Chinese, Polish, Italian, Portuguese, Spanish, Russian, French, Czech, Hungarian, Japanese, Korean. Default: English
Power Supply	12 VDC (-15% to +25%)/PoE (802.3af)
Power Consumption	Typical: 1.7 W (IR off, 12 VDC) / approx. 2.1 W (PoE) Max: 4.5 W (IR on, 12 VDC) / approx. 5.6 W (PoE)
Operating Temperature	-30°C to 60°C (-22°F to 140°F)
Operating Humidity	Less than 95% RH
Ingress Protection	IP67 (housing)
Certifications	CE-EMC - EN 55032, EN IEC 61000-6-4, EN IEC 61000-3-2, EN 61000-3-3, EN 55035, EN 50130-4 FCC 47 CFR Part 15 Subpart B
Material	Aluminum alloy body + Plastic
Dimensions	φ118.2 × 93.9 mm (φ4.65 × 3.7 inch)
Net Weight	Approx. 495 g (1.09 lb)
DORI Distance (EN62676-4 standard)	
Detect	46 m (150.9 ft)
Observe	18.4 m (60.4 ft)
Recognize	9.2 m (30.2 ft)
Identify	4.6 m (15.1 ft)

Dimensions (mm)



Accessories

Optional:

			
<p>IK-AJ46M Junction Box</p>	<p>IK-AW382A Wall Mount</p>	<p>IK-ACC03 Pendant Cap</p>	<p>IK-AC02 Ceiling Mount</p>
			
<p>IK-AW01 Wall Mount</p>	<p>IK-AW02 Wall Mount</p>	<p>IK-AP01 Pole Mount</p>	<p>IK-ACR02 Corner Mount</p>